



**PARTS LIST FOR  
1982A (1/4" COLLET), RT1982 (3/8" COLLET), &  
RT1983 (1/2" COLLET)  
SERIAL NO'S STARTING WITH "C"**

Form A597C  
Date 2019February27/D  
Page 1 of 1

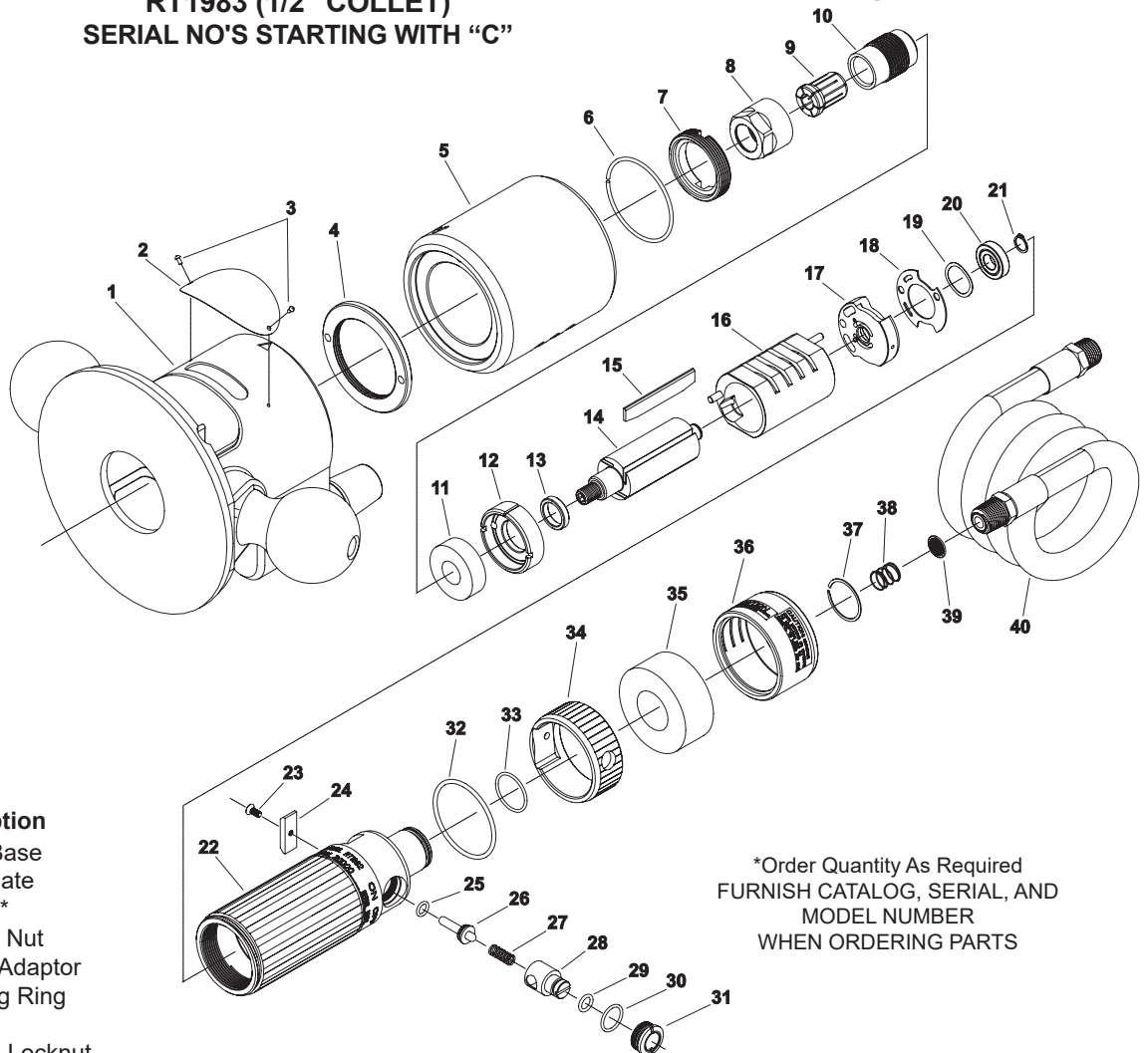


Fig. No.	Part No.	Description
1.	74215	Router Base
2.	74220	Name Plate
3.	09954	Rivet (2)*
4.	54671	Spanner Nut
5.	74216	6" Base Adaptor
6.	21801	Retaining Ring
7.	54264	Retainer
8.	21138	Erickson Locknut
9.	21126B	Erickson Collet (1/4")(1982A)
	21125	Erickson Collet (3/8")(RT1982)
	21124	Erickson Collet (1/2")(RT1983)
10.	21135	Erickson Collect Chuck Body
11.	10940	Ball Bearing
12.	13316	Front End Plate
13.	54866	Rotor Spacer
14.	54865	Rotor
15.	53363	Rotor Vane Assembly (Set of 4)
16.	44869	Cylinder
17.	13227	Rear End Plate
18.	14794	Gasket
19.	41226	Wave Washer
20.	10241	Ball Bearing
21.	21534	Retaining Ring
22.	53474	Router Housing Assembly (Incl's Figs 32 & 33)
23.	06198	ScrewOval Hd. C'sunk (#6-32 x 5/16")
24.	54274	Cam
25.	14291	O-Ring
26.	53360	Valve
27.	21315	Spring
28.	53361	Speed Control

Fig. No.	Part No.	Description
29.	14311	O-Ring
30.	14378	O-Ring
31.	53362	Retainer
32.	14336	O-Ring
33.	14391	O-Ring
34.	54273	Valve Operator
35.	14114	Silencer Pad
36.	54265	Silencer
37.	21776	Retaining Ring
38.	21385	Spring
39.	30462	Screen
40.	53370	Hose Assembly (6' Long)

Not Shown

25480	Wrench (7/8" Opening)
40149	Wrench (1-1/16" Opening)
63261	Complete Chuck Assembly (3/8")(1982A) (Incl's Figs 31, 33 & 34)
63262	Complete Chuck Assembly (1/2")(RT1983) (Incl's Figs 31, 33 & 34)

\*Order Quantity As Required  
FURNISH CATALOG, SERIAL, AND  
MODEL NUMBER  
WHEN ORDERING PARTS



Snap-on Power Tools, Inc.

This pdf incorporates the following model numbers: 1982A, RT1982, RT1983