



# INSTRUCTIONS & PARTS LIST FOR SAG03S SERIES RIGHT ANGLE DIE GRINDERS SERIAL "E"

Read and understand these instructions before operating this tool.  
**SAVE THESE INSTRUCTIONS!**

## ⚠ WARNING



When used improperly power tools can create hazardous situations.  
**Everyone using, maintaining, changing accessories or working near this tool must read, understand and follow these Safety Instructions!**  
*Improperly used power tools can cause injury or death.*

### DIE GRINDER SAFETY



Sioux power tools may contain chemicals known to the State of California to cause cancer, birth defects, or other reproductive harm. Tools should be inspected regularly to verify that all original markings and labels are present and legible. Contact Sioux Tools to obtain replacement labels when necessary.



Die grinders can cause flying particles.  
**Proper eye protection must be worn at all times by tool user and bystanders.**  
*Flying particles can cause eye injury.*



Power tools generate noise.

**Ear protection must be worn when tool noise level exceeds 85 dBA. We also recommend that ear protection be worn when the tool noise level is below 85 dBA. See the tool's information sheet for the noise level. Appropriate controls to reduce the risk may include actions such as damping materials to prevent work pieces from "ringing". Always ensure that the muffler material is in the die grinder. Support the weight of the tool in a stand or balancer whenever possible. Hold the tool with a light but secure grip. Always hold tightly enough to counteract reaction forces but know that the risks due to vibration are greater when the grip force is higher.**

*Prolonged exposure to noise can cause hearing loss.*



Using this tool can cause the operator to experience discomfort in the hands, arms, shoulders, neck, and other place.

**In order to help prevent this, the operator should find a comfortable working positions that maintains secure grip and footing. If the operator experiences pain, throbbing, aching, tingling, numbness, burning, or stiffness they should contact both the employer and a physician.**



Power tools vibrate.

**Excessive vibration can cause injury. If numbness, tingling, pain or whitening of the skin occurs, stop using tool and consult a physician. See the tool's information sheet for the vibration level.**

*Prolonged exposure to vibration can cause injury.*



Rotating grinding wheels can cause cuts and abrasions.

**Keep hands and other body parts away from grinding wheels to prevent cutting or pinching. Wear protective clothing and gloves to protect hands. Operators and maintenance personnel should be physically able to handle the bulk, weight and power of the tool.**

*Contact with rotating grinding wheels can cause injury.*



Die grinders present a risk of entanglement.

**Keep loose hair away from power tools and accessories. Keep hands away from moving parts of the tool and accessories. Do not wear jewelry, loose clothing, or neckwear around power tools. Keep work area clear of cleaning rags and all items that could become entangled with the tool. When using the tool overhead, wear a helmet.**

*Entanglements can cause injuries.*



Grinding operations creates dust.

**Ensure that that sparks and debris do not create a hazard. Do not breathe grinding dust. Use approved mask. Risk assessment should include the potential to disturb existing dust. Direct the exhaust so as to minimize disturbance of dust in a dust-filled environment.**

**Working with certain materials creates emission of dust and fumes which can cause a potentially explosive environment.**

*Breathing grinding dust can cause injury.*



Slips, trips, and falls are major causes of workplace injury.

**Be aware that the exhaust from this tool can cause slippery surfaces and the air hose can present a trip hazards.**

*Proceed with care in unfamiliar surroundings as there can be hidden hazards.*



This tool is not insulated for contact with electric power sources.

**Do not use near live electric circuits. When drilling into walls, be aware that they may have hidden electric wires.**

*Electric shock can cause injury.*



This tool is not intended for use in a flammable or explosive atmosphere.

**Do not use this tool in a flammable or explosive atmosphere.**

*Explosions and fire can cause injury.*



Grinding metals creates sparks that can ignite flammable materials and vapors.

**Only grind metals if the area is free of combustible or explosive materials or vapors.**

*Explosions and fire can cause injury.*



Grinding wheels that malfunction or spin off can cause injury.

Overspeeding wheels can explode.

**Check the speed of the tool regularly with a tachometer. These checks should be done without any mounted accessories. If the tachometer reads faster than the rated speed of the tool, discontinue use. Check the speed rating of the accessory or the speed printed on the wheel. This speed must be greater than the nameplate speed of the grinder and the actual speed of the grinder as measured with a tachometer. Do not exceed rated operating air pressure.**

*Exploding wheels can cause injury or death.*





Excessive overhang reduces the safe operating speed of mounted wheels, causes wheels to “whip”, and shafts to bend.

**When using die grinders, keep overhang to a minimum. Refer to enclosed “SAFETY GUIDE FOR SIOUX ABRASIVE WHEEL” for speed and overhang information.**

*“Whipping” wheels and bent shafts can cause injury.*



Die grinders can generate unexpected movement.

**Keep a firm grip on the tool at all times. Be sure your body position allows you to have control of the tool at all times. Make sure your footing is secure. When possible, secure the work piece in a vice or with clamps.**

*Unexpected tool movement can cause injury.*



Using excessive force on a tool makes it hard to control.

**Do not force tool.**

*Hard to control tool can cause injury.*



Taping or wiring the throttle valve in the “ON” position will prevent the tool from shutting off if the tool should jam or malfunction or if anything unexpected happens.

**Do not wire or tape down the “On-Off” valve of any power tool.**

*Tools that are prevented from shutting off can cause injury.*



Poorly maintained and lubricated tools can fail unexpectedly.

**Keep tool properly lubricated and in good repair at all times. Use only Sioux Air Motor Oil No. 288. See the tool’s information sheet to find out what other greases and oils to use. Do not drop the end of the hose on the floor where it will pick up dirt and transport it into the tool. See information sheet for any additional maintenance requirements.**

*Unexpected tool failures can cause injury.*



Damaged grinding wheels can explode.

**Check the wheel for damage before mounting, such as chips and cracks. Handle wheels carefully to avoid dropping or bumping. Protect wheels from extremes of temperature and humidity. Check wheels immediately after any unusual occurrence that may damage wheels. Check wheels daily. Hold tool under bench or provide other protection when starting up a new wheel, a used wheel that has been remounted, or at the beginning of an operation. Run at operating speed in this protected area for at least one minute before applying to the work. No one shall stand in front of or in line with the wheel during this test.**

*Exploding wheels can cause serious injury or death.*



Collets, nuts and related equipment in poor shape or not the proper ones for the wheel or tool used can cause wheels to malfunction. Grinding wheels not properly tightened can spin off.

**Be certain that all collets, nuts and related equipment are in good shape, the proper ones for the type and size of wheel being used, and are securely fastened. Tighten collet securely. Match wheel or accessory shaft diameter to chuck or collet.**

*Grinding wheels that malfunction and spin off can cause injury.*



Air hoses can come loose from power tools and whip.

**Inspect and do not use tools with loose or damaged air hoses or fittings.**

*Whipping air hoses can cause injury.*



Abnormal sounding or excessively vibrating grinders can indicate a hazard that could cause wheel to explode.

**If the normal sound of the grinder changes, or if it vibrates excessively, shut it off immediately, remove the wheel, and check speed with tachometer. Tool could be overspeeding or the wheel could be damaged or not mounted properly.**

*Exploding wheels can cause injury or death.*



Air hoses that are not oil resistant or are not rated for the working pressure can burst.

**Make sure that all air hoses are oil resistant and rated for the working pressure.**

*Air hoses that burst can cause injury.*



Tools not operated at proper air pressure can operate erratically.

**Do not exceed a maximum air pressure of 90 psig/6.2 bar or as stated on the tool’s nameplate or operating instructions. Use an air regulator to maintain proper air pressure.**

*Erratic operation in power tools can cause injury.*



Improperly repaired tools perform unpredictably.

**Do not modify this tool. Modifications can reduce the effectiveness of safety measures and increase the risks to the operator. Do not use the tool if it has been damaged. Repair tools at an Authorized Sioux Service Center.**

*Tools that perform unpredictably can cause injury.*



Tools left connected to the air supply can start unexpectedly.

**Always remove tool from air supply and activate trigger to bleed air line before making any adjustments, changing accessories, or doing any maintenance or service on tool. Make it a habit to check to see that all adjusting keys and wrenches have been removed from tool before turning it on.**

*Tools starting unexpectedly and flying keys and wrenches can cause injury.*



Working in poorly lit areas makes it hard to see hazards.

**Keep work area well lit.**

*Poorly lit work areas can cause injury.*



Children are attracted to work areas.

**Keep children away. All visitors must keep a safe distance away from work area.**

*Children in work areas can be injured.*



Unauthorized or untrained personnel can misuse unattended tools.

**Store idle tools in a dry, high or locked-up place, out of the reach of children.**

*Misused tools can cause injury.*



Tools with the actuator left in the “ON” position when an unexpected air pressure loss occurs can start unexpectedly when the air pressure is restored.

**Release the actuator if an unexpected loss of air pressure occurs.**

*Unexpected tool starts can cause injury.*



Grinders with the actuator left in the “on” position can cause unexpected starts when the tool is connected to the air supply.

**Be sure actuator is off before hooking up air.**

*Unexpected starts can cause injury.*



Grinders may coast for a short time after the trigger is released.

**Be sure tool has come to a complete stop before setting it aside.**

*Grinders that do not come to a complete stop before setting aside can cause injury.*



Cut off wheels or router bits are not rated for the high speed of die grinders and could explode or fly apart.

**Do not use cut off wheels or router bits with die grinders.**

*Exploding or flying parts can cause injury.*



Air under pressure can cause severe injury.

**Never direct air at yourself or anyone else. Cold air such as exhaust air should always be directed away from the hands. Never carry a tool by its hose.**

*Whenever universal twist couplings (claw couplings) are used, lock pins shall be installed and whip check safety cables shall be used to help prevent possible hose-to-tool and hose-to-hose failure.*



Air under pressure can cause severe injury.

**Never direct air at yourself or anyone else. Cold air such as exhaust air should always be directed away from the hands. Never carry a tool by its hose.**

*Whenever universal twist couplings (claw couplings) are used, lock pins shall be installed and whip check safety cables shall be used to help prevent possible hose-to-tool and hose-to-hose failure.*



The use of any accessory with this tool not provided or specified by Sioux Tools can perform unpredictably.

**Use only accessories provided or specified by Sioux Tools.**

*Tools that perform unpredictably can cause injury.*

**When disposing of a tool, do it in a way that does not harm personnel or the environment.**

#### INTENDED USE

This tool is intended for use with small mounted abrasive wheel for precision material removal.

Mounted wheels are defined as abrasive wheels that are secured to plain or threaded mandrels.

#### AIR SUPPLY

The efficiency and life of this tool depend on the proper supply of clean, dry air at a maximum of 90 PSI. The use of an air line filter, pressure regulator, and lubricator is recommended.

Before connecting to tools, blow out the air line to remove water and dirt that may have accumulated.

#### HOSE AND HOSE CONNECTIONS

The air supply hose recommended is 3/8" (10mm) I.D. If an extension hose is necessary, use 1/2" (13mm) ID hose with couplings not less than 3/8" (10mm) I.D.

#### LUBRICATION

All models may operate without airline lubrication. However, operating the tool without airline lubrication may reduce tool performance and vane life.

If an airline lubrication is not used, it is recommended that the tool be oiled daily before use to improve performance. Add 2-4 drops of air motor oil and run the tool for 10-20 seconds to distribute oil through the tool.

For maximum performance and tool life, an air line lubricator, set to deliver 2 drops per minute, is recommended. SIOUX No. 288 Air Motor Oil is recommended.

#### For Angle Head Die Grinder

Lubricate the angle head assembly with 2 shots of SIOUX #1232A grease every 8 working hours.

#### MAINTENANCE

Water, dust and other airline contaminants can cause rust and vane sticking. For long periods between tool use, flush the tool with a few drops of oil and run for 10 seconds. This will help remove contaminants and reduce the formation of rust.

#### OPERATION

The die grinder operates in the clockwise direction when viewed from the operator's position.



The tool is equipped with a locking type lever in order to prevent accidental start-up.

Speed of the tool may be adjusted by turning the regulator, which is located opposite the throttle lever.

#### INSTALLING MOUNTED WHEELS

### ⚠ WARNING



**Disconnect tool from air supply before installing or removing wheel or making any adjustments**

Insert the mounted wheel into the collet. Make sure the wheel shank and the collet size match. Do not allow the wheel to extend beyond the collet an excessive distance.

Hold the collet body with a 9/16" (14mm) wrench and the collet nut with a 3/4" (19 mm) wrench.

Turn the collet nut to the right and firmly tighten the collet on to the wheel shank.

#### REMOVING MOUNTED WHEELS

To remove the mounted wheel, hold the collet body with a 9/16" (14 mm) wrench and the collet nut with a 3/4" (19 mm) wrench.

Turn the collet nut to the left and loosen the collet.

Remove the mounted wheel.

#### NOISE AND VIBRATION READINGS

Catalog Number	Noise* (Tested in accordance with ISO Standard 15744)			Vibration* (Tested in accordance with ISO Standard 8662-13:1997)	
	*Sound Pressure (dBA)	*Sound Power (dBA)	Uncertainty (dBA)	*Vibration m/s <sup>2</sup>	Uncertainty m/s <sup>2</sup>
SAG03S12	81.5	93.1	3.0	4.28	0.49
SAG03S20	86.4	98	3.0	5.49	0.29



# BEDIENUNGSANLEITUNG UND TEILELISTE FÜR RECHTWINKLIGE SCHNEIDEISEN-SCHLEIFMASCHINEN DER SAG03S-SERIE SERIE "E"

**Lesen Sie diese Bedienungsanleitung, bevor Sie dieses Werkzeug in Betrieb nehmen.  
BEWAHREN SIE DIESE ANLEITUNG AUF!**

## ⚠️ WARNUNG



Unsachgemäßer Gebrauch von Werkzeugen kann zu gefährlichen Situationen führen.  
**Jede Person, die dieses Werkzeug gebraucht, wartet, Zubehör auswechselt oder in der Nähe dieses Werkzeugs arbeitet, muss diese Sicherheitshinweise lesen, verstanden haben und befolgen!**

*Unsachgemäßer Gebrauch von Werkzeugen kann zu Verletzungen oder zum Tod führen.*

### SICHERHEITSHINWEISE FÜR FORMSCHLEIFER



Sioux Druckluft- und Elektrowerkzeuge können Chemikalien enthalten, die dem US-Bundesstaat Kalifornien als Ursachen von Krebs, Geburtsfehlern oder anderen Fortpflanzungsschäden bekannt sind.



Formschleifer können wegspritzende Partikel verursachen.

**Der Benutzer des Werkzeugs und umstehende Personen müssen jederzeit ordnungsgemäßen Augenschutz tragen.**

*Herumfliegende Teilchen können Augenverletzungen verursachen.*



Elektrowerkzeuge erzeugen Lärm.

**Wenn der Lärmpegel 85dBA überschreitet, muß Gehörschutz getragen werden. Wir empfehlen, Ohrenschutz auch bei einem Lärmpegel von weniger als 85dBA zu tragen. Mehr Informationen bzgl. des Lärmpegels finden Sie auf dem Informationsdatenblatt für das Werkzeug. Als geeignete Maßnahmen zur Reduzierung der Gefahr geräuschbedingter gesundheitlicher Beschwerden können u. a. Dämpfungsmaterialien verwendet werden, die ein „Klingeln“ der Werkstücke verhindern. Immer darauf achten, dass sich das schalldämpfende Material im Schleifer befindet. Das Gewicht des Werkzeugs möglichst auf einem Ständer oder durch eine Spannvorrichtung oder dergleichen stützen. Das Werkzeug locker, aber sicher halten, um die Reaktionskräfte aufzunehmen. Beachten Sie, dass sich die Vibrationen umso mehr auf den Bediener übertragen, je starrer das Werkzeug festgehalten wird.**

*Lange Lärmaussetzung kann zu Hörschäden führen.*



Der Gebrauch dieses Werkzeugs kann beim Benutzer Schmerzen in den Händen, Armen, Schultern, Nacken und an anderen Stellen verursachen.

**Um dies zu verhindern, sollte bei der Arbeit immer eine bequeme und stabile Arbeitsstellung eingenommen werden.**

*Wenn scharfe oder dumpfe Schmerzen, Pochen, Kribbeln, Taubheitsgefühle, Brennen oder Steifheit auftreten sollten, informieren Sie Ihren Arbeitgeber und einen Arzt darüber.*



Elektrowerkzeuge erzeugen Vibrationen.

**Übermäßige Vibrationen können zu Verletzungen führen. Wenn Sie folgende Symptome verspüren, stellen Sie den Gebrauch des Werkzeugs ein und konsultieren Sie einen Arzt: Taubheit, Kribbeln, Schmerzen oder Hautblässe. Weitere Informationen bzgl. des Vibrationslevels finden Sie auf dem Informationsblatt für das Werkzeug.**

*Lange Vibrationsaussetzung kann zu Verletzungen führen.*



Rotierende Schleifscheiben können Schnittwunden und Abschürfungen verursachen.

**Tragen Sie immer Schutzkleidung und -handschuhe. Halten Sie Hände und andere Körperteile von Schleifblöcken und -scheiben fern, so daß Sie sich nicht schneiden oder einklemmen. Das Bedienungs- und Wartungspersonal muss physisch in der Lage sein, mit der Größe, dem Gewicht und der Leistung des Werkzeugs bei der Arbeit umzugehen.**

*Kontakt mit Schleifscheiben und -blöcken kann zu Verletzungen führen.*



Bei Formschleifern besteht die Gefahr von Verwicklungen.

**Bringen Sie nie offenes Haar in die Nähe von Elektrowerkzeugen und deren Zubehör. Bringen Sie Ihre Hände nicht in sich bewegende Teile des Werkzeugs bzw. der Antriebs Elemente. Tragen Sie keinen Schmuck, lose Kleidung oder Halsketten, wenn Sie mit Elektrowerkzeugen arbeiten. Halten Sie den Arbeitsbereich frei von Reinigungslappen und anderen Dingen, die in das Werkzeug eingewickelt werden könnten. Bei Überkopparbeiten einen Schutzhelm tragen.**

*Verwicklungen können zu Verletzungen führen.*



Schleifen erzeugt Staub.

**Darauf achten, dass Funken und kleine Werkstückfragmente keine Gefahr darstellen. Atmen Sie den Staub nicht ein. Tragen Sie eine empfohlene Maske. Die Risikobeurteilung sollte auch die Staubbildung bei Verwendung des Werkzeugs und die Möglichkeit von Staubbildung der Atemwege berücksichtigen. Die Ausblasluft ist so zu richten, dass die Belastung in einer staubigen Umgebung auf ein Minimum reduziert wird. Einige Arten von Staub, der beim Sandstrahlen, Sägen, Schleifen, Bohren und anderen Materialbearbeitungsverfahren erzeugt wird, enthalten Chemikalien, die Krebs, Geburtsfehler oder andere Fortpflanzungsschäden verursachen.**

*Das Einatmen von Schleifstaub kann zu Verletzungen führen.*



Ausrutschen, Stolpern und Stürze sind die Hauptursachen für Verletzungen am Arbeitsplatz.

**Achten Sie auf rutschige Oberflächen durch den Einsatz des Werkzeugs und Stolpergefahr durch den Luftschlauch. Dieses Werkzeug ist nicht für die Verwendung in einer feuergefährlichen oder explosionsgefährdeten Umgebung vorgesehen.**

*Dieses Werkzeug ist nicht für den Einsatz in explosionsgefährdeten Bereichen vorgesehen.*



Dieses Werkzeug ist nicht gegen Kontakt mit elektrischen Stromquellen isoliert.

**Nicht in der Nähe von elektrischen Stromkreisen unter Spannung benutzen. Beachten Sie beim Bohren in Wänden, daß sich dort elektrische Kabel befinden können.**

*Elektrische Schläge können zu Verletzungen führen.*



Dieses Werkzeug ist nicht für die Verwendung in einer feuergefährlichen oder explosionsgefährdeten Umgebung vorgesehen.

**Benutzen Sie dieses Werkzeug nicht in flammbarer oder explosiver Umgebung.**

*Explosionen und Brand können zu Verletzungen führen.*



Das Schleifen von Metall kann Funken erzeugen, die entflammbare Materialien oder Dämpfe entzünden können.

**Schleifen Sie nur dann Metall, wenn der Arbeitsbereich frei von flammbaren oder explosiven Materialien oder Dämpfen ist.**

*Explosionen und Brände können zu Verletzungen führen.*

*Nicht korrekt funktionierende oder abschleudernde Schleifscheiben können Verletzungen verursachen.*





Überdrehende Scheiben können explodieren.

**Die Drehzahl des Werkzeugs regelmäßig mit einem Drehzahlmesser überprüfen. Diese Kontrollen sollten ohne montierte Zubehörteile erfolgen. Wenn die Messwerte des Drehzahlmessers über der Nenndrehzahl des Werkzeugs liegen, das Werkzeug nicht weiterverwenden. Überprüfen Sie die Geschwindigkeitsleistung des Zubehörs oder die Geschwindigkeit, die auf der Scheibe angegeben ist. Diese Geschwindigkeit muß höher sein als diejenige, die für den Schleifer empfohlen ist und als die tatsächliche Geschwindigkeit des Schleifers, wie mit einem Tachometer gemessen. Überschreiten Sie nicht den empfohlenen Betriebsluftdruck. Explodierende Scheiben können schwere Verletzungen verursachen oder zum Tod führen.**



Wenn montierte Scheiben zu weit überhängen, ist eine sichere Betriebsgeschwindigkeit nicht gewährleistet, die Scheiben "peitschen", und Wellen verbiegen.

**Bei Verwendung von Formschleifern muß ein Überhang so gering wie möglich gehalten werden. Beachten Sie die Werte für die Drehzahl und den Überhang in den beiliegenden SICHERHEITSHINWEISEN FÜR SIOUX-SCHLEIFSCHEIBEN. "Peitschende" Scheiben und verbogene Wellen können zu Verletzungen führen.**



Formschleifer können unerwartete Bewegungen vollführen.

**Halten Sie das Werkzeug immer fest. Gewährleisten Sie eine Körperposition, die Ihnen jederzeit die Kontrolle über das Werkzeug erlaubt. Sorgen Sie dafür, daß Sie einen festen Stand haben. Wenn möglich, das Werkstück in einem Schraubstock oder mit Schraubzwingen sichern.**

*Unerwartete Werkzeugbewegungen können zu Verletzungen führen.*



Bei Anwendung übermäßiger Gewalt ist das Werkzeug nur schwer zu kontrollieren.

**Wenden Sie beim Gebrauch des Werkzeugs keine Gewalt an.**

*Schwer zu kontrollierende Werkzeuge können zu Verletzungen führen.*



Durch Befestigung des Drosselventils in der Stellung "ON" mithilfe von Draht oder Klebeband wird im Falle einer Blockierung oder Fehlfunktion des Werkzeugs oder sonstiger unerwarteter Ereignisse verhindert, dass sich das Werkzeug ausschalten kann.

**Verdrahten Sie das "Ein-Aus"-Ventil eines Elektrowerkzeugs nicht bzw. befestigen Sie es nicht mit Klebeband.**

*Werkzeuge, die man nicht abstellen kann, können Verletzungen hervorrufen.*



Schlecht gewartete und geschmierte Werkzeuge können plötzlich versagen.

**Schmieren Sie das Werkzeug regelmäßig und reparieren Sie es, wenn notwendig. Benutzen Sie ausschließlich Sioux Motoröl Nr. 288. Auf dem Informationsblatt für das Werkzeug finden Sie weitere Informationen über zu verwendende Schmiermittel und Öle. Lassen Sie das Ende des Schlauchs nicht auf den Boden fallen, da er dort Schmutz aufnimmt und in das Werkzeug einbringt. Weitere Wartungsinformationen finden Sie auf dem Informationsblatt.**

*Unerwartetes Werkzeugversagen kann zu Verletzungen führen.*



Beschädigte Schleifscheiben können explodieren.

**Vor der Montage überprüfen Sie die Scheibe auf Beschädigungen, wie z.B. Absplitterungen oder Risse. Lassen Sie die Scheiben nicht fallen oder mit anderen Gegenständen zusammenstoßen. Schützen Sie die Scheiben vor extremen Temperaturen und Feuchtigkeit. Überprüfen Sie die Scheiben sofort nach ungewöhnlichen Vorfällen, die sie eventuell beschädigen konnten. Überprüfen Sie die Scheiben täglich. Halten Sie das Werkzeug unter eine Werkzeuggestandbank oder unter einen anderen Schutz, wenn Sie eine neue Scheibe oder eine neu montierte gebrauchte Scheibe verwenden oder vor Beginn der Arbeit. Lassen Sie es in dieser geschützten Umgebung mindestens eine Minute lang laufen, bevor Sie es zur Arbeit verwenden. Während dieses Tests darf niemand vor oder in einer Linie mit der Scheibe stehen.**

*Explodierende Scheiben können schwere Verletzungen verursachen oder zum Tod führen.*



Spannfutter, Muttern und zugehörige Komponenten, die im schlechten Zustand oder nicht für die eingesetzte Schleifscheibe oder das Werkzeug geeignet sind, können zu einer schlechten Funktion der Schleifscheiben führen. Nicht richtig befestigte Schleifscheiben können sich lösen.

**Sorgen Sie dafür, dass alle Spannfutter, Muttern und zugehörige Komponenten in gutem Zustand und für den Typ und die Größe der eingesetzten Schleifscheibe geeignet sind und dass sie fest angezogen sind. Ziehen Sie das Spannfutter fest an. Der Schleifscheiben- bzw. Zubehörmessers-Durchmesser muss mit dem Spannfutter bzw. der Spannzange übereinstimmen.**

*Nicht korrekt funktionierende oder abschleudernde Schleifscheiben können Verletzungen verursachen.*



Luftschläuche können sich von Elektrowerkzeugen lösen und schlagen.

**Inspizieren Sie die Werkzeuge und benutzen Sie diese nicht, wenn sie lose oder beschädigte Luftschläuche oder Anschlußstücke aufweisen.**

*Peitschende Luftschläuche können Verletzungen verursachen*



Unnormal klingende oder stark vibrierende Schleifer können ein Anzeichen für eine Gefahrensituation sein, durch die die Scheibe explodieren könnte.

**Wenn sich der normale Ton des Schleifers ändert oder er stark vibriert, schalten Sie ihn sofort ab, entfernen Sie die Scheibe, und überprüfen Sie die Geschwindigkeit mit einem Tachometer. Das Werkzeug könnte überdrehen oder die Scheibe könnte beschädigt oder nicht korrekt montiert sein.**

*Explodierende Scheiben können zu Verletzungen oder zum Tod führen.*



Luftschläuche, die nicht ölbeständig bzw. nicht für den Betriebsdruck zugelassen sind, können platzen.

**Vergewissern Sie sich, daß alle Luftschläuche ölbeständig und für den Betriebsdruck zugelassen sind.**

*Luftschläuche, die platzen, können Verletzungen hervorrufen.*



Werkzeuge, die nicht mit dem richtigen Luftdruck betrieben werden, können unberechenbar und unregelmäßig arbeiten.

**Der Luftdruck darf 90 psig/6,2 bar (oder den auf dem Werkzeuetikett oder in der Betriebsanweisung angegebenen Wert) nicht überschreiten. Mit Hilfe einer Luftregulierung angemessenen Luftdruck beibehalten.**

*Unberechenbarer Betrieb von Elektrowerkzeugen kann zu Verletzungen führen.*



Unsachgemäß reparierte Werkzeuge verhalten sich unvorhersehbar.

**Dieses Werkzeug nicht modifizieren. Änderungen können die Wirksamkeit von Schutzmaßnahmen reduzieren und die Gefahren für den Benutzer erhöhen. Nicht verwenden, wenn das Werkzeug beschädigt ist.**

**Lassen Sie Werkzeuge in einem autorisierten Sioux Service Center reparieren.**

*Unvorhersehbar reagierende Werkzeuge können zu Verletzungen führen.*



Werkzeuge, die am Luftanschluß angeschlossen bleiben, können unerwartet starten.

**Das Werkzeug ist immer vom Luftanschluß zu entfernen, und der Auslöser ist zu aktivieren, bevor Justierungen vorgenommen werden, Zubehör ausgewechselt wird oder das Werkzeug gewartet wird. Machen Sie es zur Gewohnheit, nachzuprüfen, ob alle Justierschlüssel vom Werkzeug entfernt worden sind, bevor es angeschaltet wird.**

*Plötzlich startende Werkzeuge und herumfliegende Schlüssel können Verletzungen verursachen.*



Das Arbeiten in schlecht beleuchteten Räumen erschwert das Erkennen von Gefahren.

**Beleuchten Sie den Arbeitsbereich gut.**

*Das Arbeiten in schlecht beleuchteten Arbeitsbereichen kann zu Verletzungen führen.*



Kinder werden von Arbeitsbereichen angezogen.

**Halten Sie Kinder fern. Alle Besucher müssen sich in sicherer Entfernung zum Arbeitsbereich befinden.**

*Kinder können in Arbeitsbereichen verletzt werden.*



Nicht berechtigtes oder nicht geschultes Personal kann unbeaufsichtigte Werkzeuge falsch anwenden.

**Bewahren Sie nicht benutzte Werkzeuge an einem trockenen und hoch gelegenen oder verschlossenen Ort außerhalb der Reichweite von Kindern auf.**

*Falsch angewendete Werkzeuge können Verletzungen verursachen.*



Werkzeuge können unerwartet starten, wenn der Schalter auf "EIN" steht und ein plötzlicher Druckverlust auftritt.

**Lösen Sie den Schalter bei plötzlichem Druckverlust.**

*Plötzlich startende Werkzeuge können zu Verletzungen führen.*



Wenn der Einschalter des Schleifers auf "Ein" gestellt ist, kann dies zu unerwarteten Starts führen, wenn das Werkzeug an die Druckluft angeschlossen wird.

**Sorgen Sie dafür, daß der Einschalter auf "Aus" steht, bevor Sie die Druckluft anschließen.**

*Unerwartete Starts können zu Verletzungen führen*



Schleifer können noch eine kurze Zeit weiterdrehen, nachdem der Schalter auf Aus gestellt wurde.

**Sorgen Sie dafür, daß das Werkzeug zu einem vollständigen Halt gekommen ist, bevor Sie es beiseite legen.**

*Schleifer, die nicht zu einem vollständigen Stop gekommen sind, bevor sie beiseite gelegt werden, können zu Verletzungen führen.*



Trennschleifscheiben oder Bohrerschneiden sind nicht für die hohen Geschwindigkeiten von Formschleifern geeignet und können explodieren oder auseinanderfliegen.

**Benutzen Sie keine Trennschleifscheiben oder Bohrerschneiden mit Formschleifern.**

*Explodierende oder herumfliegende Teile können zu Verletzungen führen.*



Druckluft kann zu schweren Verletzungen führen.

**Richten Sie niemals die Luft auf sich selbst oder andere.**

**Kalte Luft wie die Abluft sollte immer von den Händen weg gerichtet sein.**

**Werkzeug nicht am Schlauch tragen.**

*Bei Verwendung von Klauenkupplungen sind Sperrstifte anzubringen und Schlauchtrennsicherungen zu verwenden, um gegen mögliche Schlauch-Werkzeug- und Schlauch-Schlauch-Anschlussfehler zu schützen.*



Der Gebrauch von Zubehör, das nicht von Sioux Tools geliefert oder spezifiziert wurde, kann zu unvorhersehbaren Zwischenfällen führen.

**Verwenden Sie ausschließlich von Sioux Tools geliefertes oder empfohlenes Zubehör.**

*Unvorhersehbar reagierende Werkzeuge können zu Verletzungen führen.*

**Wenn Sie ein Werkzeug entsorgen, entsorgen Sie es so, daß weder die Umwelt noch Personen Schaden nehmen.**

#### BESTIMMUNGSGEMÄSSER GEBRAUCH

Dieses Werkzeug ist für den präzisen Materialabtrag unter Verwendung kleiner Schleifscheiben vorgesehen.

Ein Schleifscheibenträger ist als eine an einen glatten oder Gewindedorn befestigte Schleifscheibe definiert.

#### DRUCKLUFTVERSORGUNG

Die Leistung und Lebensdauer dieses Werkzeugs hängt von der ordnungsgemäßen Versorgung mit sauberer, trockener Druckluft mit maximal 6,2 Bar (90 PSI) ab. Empfohlen wird der Einsatz eines Druckluftleitungsfilters, Druckminderers und Ölers.

Vor dem Anschluss des Werkzeugs blasen Sie die Druckluftleitung aus, um Wasser und Schmutz aus der Leitung zu entfernen.

#### SCHLAUCH UND SCHLAUCHANSCHLÜSSE

Empfohlen wird ein Druckluft-Versorgungsschlauch mit einem Innendurchmesser von 3/8" (10 mm). Wenn ein Verlängerungsschlauch erforderlich ist, muss dieser einen Innendurchmesser von 1/2" (13 mm) aufweisen. Der Innendurchmesser von Kupplungen muss mindestens 3/8" (10 mm) betragen.

#### SCHMIERUNG

Alle Modelle können ohne Druckluftleitungsschmierung betrieben werden. Der Betrieb des Werkzeugs ohne Druckluftleitungsschmierung kann jedoch die Werkzeugleistung und die Flügel Lebensdauer reduzieren.

Wenn keine Druckluftleitungsschmierung erfolgt, wird zur Steigerung der Leistung eine tägliche Schmierung des Werkzeugs vor der Benutzung empfohlen. Träufeln Sie 2 bis 4 Tropfen Druckluftmotoröl ein und lassen Sie das Werkzeug für 10 bis 20 Sekunden laufen, um das Öl im Werkzeug zu verteilen.

Um eine maximale Leistung und Lebensdauer des Werkzeugs zu erzielen, wird ein Druckluftleitungs-Öler empfohlen, der so eingestellt ist, dass 2 Tropfen pro Minute geliefert werden. Empfohlen wird das SIOUX-Motoröl Nr. 288.

#### Bei Winkelformschleifern

Schmieren Sie die Winkelkopfbaugruppe nach jeweils 8 Betriebsstunden durch 2-maliges Einspritzen des Fetts SIOUX #1232A.

#### WARTUNG

Wasser, Staub und andere Fremdstoffe können Rost und das Verkleben des Flügels verursachen. Wenn das Werkzeug für einen längeren Zeitraum nicht genutzt wird, träufeln Sie ein paar Tropfen Öl in das Werkzeug und lassen Sie es für 10 Sekunden laufen. Hierdurch werden Fremdstoffe entfernt und die Rostbildung vermindert.

#### BEDIENUNG

Die Modelle SAG sind ideal zum Schleifen, Honen und Glätten unter beengten Platzverhältnissen, wo ein größerer Geradschleifer unnötig und unpraktisch wäre.



Das Werkzeug ist mit einer Sicherheitsverriegelung ausgestattet, um einem versehentlichen Starten vorzubeugen.

Die Drehzahl des Werkzeugs können Sie mit einem Regler einstellen, der sich gegenüber dem Fingerstarter befindet.

#### ANBRINGEN DES SCHLEIFSCHEIBENTRÄGERS

### ⚠️ WARNUNG

**Trennen Sie das Werkzeug von der Druckluftversorgung, bevor Sie die Schleifscheibe anbringen oder demontieren oder Einstellungen vornehmen.**

Setzen Sie den Schleifscheibenträger in das Spannfutter ein. Stellen Sie sicher, dass die Größe des Scheibenschafts und des Spannfutters übereinstimmen. Es ist nicht zulässig, dass die Schleifscheibe weit über das Spannfutter hinausragt.

Halten Sie das Spannfutter mit einem 14-mm-Schraubenschlüssel fest, und die Mutter des Spannfutters mit einem 19-mm-Schraubenschlüssel.

Ziehen Sie die Mutter des Spannfutters durch Drehen nach rechts fest an.

#### DEMONTIEREN DES SCHLEIFSCHEIBENTRÄGERS

Um den Schleifscheibenträger zu demontieren, halten Sie das Spannfutter mit einem 14-mm-Schraubenschlüssel fest, und die Mutter des Spannfutters mit einem 19-mm-Schraubenschlüssel. Drehen Sie die Mutter des Spannfutters nach links und lösen Sie das Spannfutter. Nehmen Sie den Schleifscheibenträger heraus.

#### SCHALL- UND VIBRATIONSWERTE

Katalog Nr.	Lärm* (Nach ISO 15744 getestet)			Vibration* (Nach ISO 8662-13:1997 getestet)	
	Lärmdruckpegel (dBA)	Lärmleistungspegel (dBA)	Ungewissheit (dBA)	Vibrationspegel m/s <sup>2</sup>	Ungewissheit m/s <sup>2</sup>
SAG03S12	81,5	93,1	3,0	4,28	0,49
SAG03S20	86,4	98	3,0	5,49	0,29



# INSTRUCCIONES Y LISTA DE PIEZAS PARA LAS RECTIFICADORAS DE MATRIZ EN ÁNGULO RECTO DE LA SERIE SAG03S SERIE "E"

Lea y entienda estas instrucciones antes de usar esta herramienta.  
**¡NO PIERDA ESTAS INSTRUCCIONES!**

## ⚠️ ADVERTENCIA



Una herramienta motorizada puede ser peligrosa si no se usa correctamente.  
**¡Las personas que vayan a usar la herramienta, darle mantenimiento, quitar o poner accesorios o trabajar cerca de la herramienta deben leer, entender y respetar estas instrucciones de seguridad!**  
*Una herramienta motorizada que no se use correctamente puede provocar lesiones o fatalidades.*

### PRECAUCIONES DE SEGURIDAD CON LA HERRAMIENTA



Las herramientas mecánicas Sioux pueden contener compuestos químicos reconocidos como carcinógenos y causantes de defectos de nacimiento u otros daños reproductivos en el Estado de California.



La muela puede producir partículas volantes.

**Los usuarios y personas que se encuentren cerca de la herramienta deben utilizar, en todo momento, una adecuada protección para los ojos.**

*Las partículas que flotan en el aire puede producir daños a los ojos.*



Las herramientas motorizadas producen ruido.

**Se debe utilizar protección para los oídos cuando el nivel de ruido exceda los 85 dBA. Se recomienda, además, utilizar protección para los oídos cuando el nivel de ruido de la herramienta sea menor que 85 dBA. Ver la hoja de información de la herramienta sobre su nivel de ruido. Entre las medidas de control que pueden tomarse para reducir el ruido está amortiguar los materiales para evitar que suenen. El material amortiguador debe estar siempre puesto en la rectificadora de matrices. Siempre que sea posible, apoye el peso de la herramienta sobre un soporte o equilibrador. Sujete la herramienta con ligereza y firmeza al mismo tiempo, de forma que la presión sea suficiente para contrarrestar la fuerza de reacción, pero teniendo en cuenta que cuanto más fuerte sea el agarre más vibraciones sentirá el operador.**

*La exposición prolongada al ruido puede producir la pérdida de la audición.*



El uso de la herramienta puede causar molestias en las manos, los brazos, los hombros, el cuello y otras partes del cuerpo.

**Para evitarlo, es importante encontrar una postura cómoda para trabajar que mantenga un agarre seguro y los pies en el suelo.**

*Si el operador experimenta dolor, pulsaciones, cosquilleo, entumecimiento, sensación de ardor o rigidez, deberá comunicárselo a su empresa y a un médico.*



Las herramientas con motor vibran.

**La vibración excesiva puede producir lesiones. Si siente un cosquilleo o dolor en la piel, o si la piel se está entumecida o blanca, deje de utilizar la herramienta y póngase en contacto con un médico. Ver la hoja de información de la herramienta sobre los niveles de vibración.**

*La exposición prolongada a vibraciones puede producir lesiones.*



Las muelas abrasivas giratorias pueden producir cortes y desgastes.

**Mantenga las manos y otras partes del cuerpo alejadas de las muelas abrasivas para prevenir cortes o pellizcos. Use ropa y guantes protectores para proteger las manos. Los operadores y el personal de mantenimiento deben tener la capacidad física necesaria para controlar el volumen, la masa y la potencia de la herramienta.**

*El contacto con las muelas abrasivas puede producir lesiones.*



Existe el riesgo de que un objeto se enrede en la rectificadora.

**Mantenga el cabello suelto alejado de las herramientas motorizadas y accesorios. Evite tocar las partes móviles de las herramientas o accesorios. No use joyas, ropa suelta, o pañuelos al cuello cerca de las herramientas motorizadas. Mantenga el área de trabajo sin pisapies y todos los ítems que se puedan enredar en la herramienta. Póngase un casco protector cuando trabaje por encima de su cabeza.**

*Si algo se enreda puede producir lesiones.*



Las operaciones con muelas crean polvo.

**Asegúrese de que las chispas y las partículas que salen despedidas no creen peligros. No respire polvo del rectificado. Utilice una máscara aprobada. La evaluación de riesgos deberá incluir el polvo creado por la herramienta y la posibilidad de levantar el polvo ya presente. Dirija el escape de forma que se evite en lo posible levantar el polvo del entorno. Ciertos materiales de trabajo generan polvo y humos que podrían crear una atmósfera explosiva.**

*Respirar polvo del rectificado puede causar lesiones.*



Entre las principales causas de los accidentes laborales están los resbalones, los tropezos y las caídas.

**Tenga cuidado de no resbalar en superficies resbaladizas creadas por la herramienta y de no tropezar con la manguera de aire.**

*La herramienta no debe utilizarse en atmósferas potencialmente explosivas.*



Esta herramienta no está aislada para contacto con fuentes de energía eléctrica.

**No la utilice cerca de circuitos eléctricos con corriente. Cuando perforar en paredes, tenga en cuenta que puedan haber cables eléctricos que no se pueden ver.**

*Un choque eléctrico puede producir lesiones.*



Esta herramienta no debe usarse en un ambiente potencialmente inflamable o explosivo.

**No utilice esta herramienta en un ambiente inflamable o explosivo.**

*Explosiones e incendios pueden producir lesiones.*

Los metales rectificados crean chispas que pueden encender materiales inflamables y vapores.

**Sólo rectifique metales si en el área no hay combustible o materiales explosivos, o vapores.**

*Las explosiones y los incendios pueden producir lesiones.*



*Las muelas abrasivas que no funcionan correctamente o que se sueltan pueden producir lesiones.*



Las muelas con una velocidad muy alta pueden explotar.

**Verifique la velocidad regularmente con un tacómetro. Esto debe hacerse sin ningún accesorio puesto. Deje de usar la herramienta si el tacómetro indica una velocidad superior a la nominal. Verifique el régimen de velocidad del accesorio o la velocidad impresa en la muela. Esta velocidad debe mayor que la velocidad del plato del esmeril y la velocidad real del esmeril registrada por el tacómetro. No exceda el rango de presión de aire de operación.**

*Las muelas que explotan pueden causar lesiones serias e incluso la muerte.*



Una inclinación excesiva reduce la seguridad de la velocidad de operación del tren de ruedas, haciendo que la rueda se "bata", y que el mango se curve.

**Al utilizar una rectificadora de matrices, mantenga la inclinación al mínimo. Consulte los datos de velocidad e instalación en la "GUÍA DE SEGURIDAD PARA MUELAS ABRASIVAS DE SIOUX" incluida.**

*Las ruedas "batiénten" y los mangos curvos pueden producir lesiones.*



Las muelas abrasivas giratorias pueden generar movimientos inesperados.

**Siempre tome la herramienta firmemente. Asegúrese que la posición de su cuerpo le permite mantener control de la herramienta en todo momento. Asegúrese que está en una posición en que mantiene un buen equilibrio. Cuando sea posible, asegure la pieza de trabajo en una prensa de tornillo o con abrazaderas.**

*El movimiento inesperado de la herramienta puede producir lesiones.*



La utilización de fuerza excesiva en una herramienta hace difícil controlarla.

**No fuerce la herramienta.**

*Las herramientas difíciles de controlar pueden producir lesiones.*



Si se bloquea la válvula reguladora con cinta adhesiva o alambres de forma que permanezca en la posición de encendido, la herramienta no podrá apagarse si se produce un atasco o falla o si ocurre algo inesperado.

**No fije con cable o cinta adhesiva la válvula «On-Off» (encendido/apagado) de ninguna herramienta.**

*Las herramientas que acondicione para que no se apaguen pueden causar lesiones.*



Las herramientas a las que no se les ha realizado el servicio de mantenimiento adecuado o que no han sido lubricadas correctamente pueden fallar en forma imprevista.

**Siempre mantenga la herramienta lubricada correctamente y en buen estado. Utilice solamente aceite para motores neumáticos de Sioux No. 288. Ver la hoja de información de la herramienta para saber tener información sobre otros aceites o grasas que puede utilizar. No deje caer el extremo de la manguera en el suelo donde puede ensuciarse y transportar la suciedad a la herramienta. Ver la hoja de información para cualquier requisito de mantenimiento adicional.**

*Los fallos inesperados de la herramienta puede resultar en lesiones.*



Las muelas abrasivas pueden explotar.

**Revise la muela en busca de daños antes de montarla, daños tales como astillas o grietas. Maneje las muelas con mucho cuidado para evitar caídas o abolladuras. Proteja las muelas de las temperaturas extremas y de la humedad. Revise las muelas inmediatamente después que ocurra algo fuera de lo normal que pueda dañar las muelas. Sostenga la herramienta bajo la llave o proporcione otro tipo de protección cuando instale una nueva muela, una muela usada que ha sido remontada, o al comienzo de una operación. Coloque en velocidad de operación en esta área protegida, por al menos un minuto antes de utilizarla. Nadie debe pararse en frente o en línea cuando la muela durante este período de prueba.**

*Las muelas que explotan pueden causar lesiones serias e incluso la muerte.*



Los portapiezas o mandriles, tuercas y piezas relacionados que estén en malas condiciones o que no sean las indicadas para la herramienta pueden producir un mal funcionamiento de la muela. La muela abrasiva puede soltarse si no está bien apretada.

**Compruebe que todos los portapiezas, tuercas y piezas relacionadas estén en buenas condiciones, sean las indicadas para el tipo y tamaño de la muela, y que estén bien apretadas. Apriete bien el portapiezas. Compruebe que el diámetro de la muela o del eje del accesorio corresponda con el mandril o portapiezas.**

*Las muelas abrasivas que no funcionan correctamente o que se sueltan pueden producir lesiones.*



Las mangueras de aire pueden desprenderse de las herramientas eléctricas y de la conexión flexible.

**Revise y no utilice las herramientas con mangueras de aire o fittings sueltos o dañados.**

*Fustigar las mangueras de aire puede producir lesiones.*



Muelas con un sonido anormal o una vibración excesiva pueden indicar que existe el riesgo que explote la muela.

**Si el sonido normal de la muela cambia, o si vibra en exceso, desconéctela inmediatamente, saque la muela, y revise la velocidad con el tacómetro. La herramienta puede estar a una velocidad excesiva o la muela puede estar dañada o montada en forma indebida.**

*Las muelas que explotan pueden causar lesiones serias e incluso la muerte.*



Las mangueras de aire que no son resistentes al aceite o que no están calibradas para la presión que implica el trabajo, pueden romperse violentamente.

**Asegúrese de que todas las mangueras sean resistentes al aceite y que estén calibradas para soportar la presión que implica el trabajo.**

*Las mangueras de aire, al romperse violentamente, pueden causar lesiones.*



Es posible que las herramientas que operen a una presión de aire inadecuada funcionen de manera irregular.

**No exceda una presión de aire de más de 90 psig/6,2 bar, o la presión especificada en la placa de especificaciones o instrucciones de operación de la herramienta. Use un regulador de aire para mantener la presión de aire adecuada.**

*La operación irregular de las herramientas con motor puede producir lesiones.*



Las herramientas reparadas en forma inadecuada tienen un rendimiento impredecible.

**No modifique la herramienta. Las modificaciones pueden reducir la eficacia de las medidas de seguridad y aumentar los riesgos para el operador. Si la herramienta está dañada, no la use. Repare las herramientas en un centro de servicio Sioux autorizado.**

*Las herramientas que tienen un rendimiento impredecible pueden producir lesiones.*



Las herramientas que se dejan conectadas a la fuente de aire pueden empezar a funcionar inesperadamente.

**Saque siempre la herramienta de la fuente de aire y active el gatillo para purgar la línea de aire antes de hacer cualquier ajuste, cambiar accesorios, o realizar el servicio de mantenimiento a la herramienta. Verifique habitualmente que las cuñas y llaves para tuercas han sido sacadas de la herramienta antes de encenderla.**

*Las herramientas se encienden inesperadamente y las llaves y cuñas volantes pueden producir daños.*



Trabajar en áreas con un mala iluminación dificulta la posibilidad de ver los riesgos.

**Mantenga el área de trabajo bien iluminada.**

*Las áreas de trabajo mal iluminadas pueden ser causante de lesiones.*



Los niños se sienten atraídos a las áreas de trabajo.

**Mantenga a los niños alejados. Todos los visitantes deben permanecer a una distancia segura fuera del área de trabajo.**

*Los niños en las áreas de trabajo pueden resultar lesionados.*



Una herramienta desatendida podría ser usada por personal no capacitado o no autorizado.

**Almacene las herramientas en un lugar seco, a una altura razonable o bajo llave, donde no las puedan alcanzar los niños.**

*El uso incorrecto de una herramienta puede resultar en un accidente físico.*





Las herramientas con el accionador en la posición "ON" (encendido) cuando ocurre una pérdida de presión inesperada pueden comenzar a funcionar inesperadamente cuando se restablece la presión de aire.

**Suelte el accionador si ocurre una pérdida de presión de aire.**

*Las herramientas que comienzan a funcionar inesperadamente pueden producir lesiones.*



Las muelas que se han dejado con el accionador en la posición "on" (encendido) pueden comenzar a funcionar inesperadamente cuando la herramienta está conectada a la fuente de aire.

**Asegúrese que el accionador está en "off" (apagado) antes de conectar el aire.**

*Arranques inesperados pueden producir lesiones.*



Los esmeriles pueden marchar por inercia por un período corto de tiempo después que se ha liberado el gatillo.

**Asegúrese que la herramienta se ha detenido completamente antes de dejarla sobre una superficie.**

*Los esmeriles que no están completamente detenidos cuando se colocan sobre una superficie pueden producir lesiones.*



Las ruedas para recortar o las brocas buriladoras no están ajustadas para la alta velocidad de las rectificadoras de matrices y pueden explotar o desprenderse.

**No utilice ruedas para recortar o brocas buriladoras con las rectificadoras de matrices.**

*Las partes sueltas o explosivas pueden producir lesiones.*



El aire bajo presión puede causar heridas graves.

**No dirija el aire ni hacia usted ni hacia ninguna otra persona.**

**Dirija el aire frío, como por ejemplo el del escape de la herramienta, en dirección contraria a las manos.**

**No agarre la herramienta por la manguera.**

*Si se utilizan acoplamientos de torsión (acoplamientos de garras), también deberán instalarse pasadores y un cable de sujeción como protección en caso de que la manguera se suelte de la herramienta o de otra manguera.*



El uso de cualquier accesorio con esta herramienta que no sea proporcionado o especificado por Sioux Tools puede tener un rendimiento impredecible.

**Utilice sólo accesorios proporcionados o especificados por Sioux Tools.**

*Las herramientas con un rendimiento impredecible puede producir lesiones.*

**Cuando de deshaga de una herramienta, hágalo de manera que no dañe al personal ni al medio ambiente.**

#### USO RECOMENDADO

Esta herramienta debe usarse exclusivamente con una pequeña muela abrasiva montada para desprender materia con precisión.

Las muelas montadas se definen como muelas abrasivas que se instalan y aprietan en un mandril normal o roscado.

#### FUENTE DE AIRE

La eficiencia y vida útil de esta herramienta depende del suministro adecuado de aire limpio y seco a una presión máxima de 90 PSI. Se recomienda el uso de un filtro de aire, un regulador de presión y un lubricador. Antes de conectar las herramientas, purgue la línea de aire para que no haya agua o suciedades acumuladas.

#### MANGUERAS Y CONEXIONES

La manguera de suministro de aire recomendada tiene un diámetro interno (DI) de 3/8 de pulgada (10mm). Si se necesita usar una extensión, se puede usar una manguera con un DI de 1/2 pulgada (13mm) con uniones que tengan un DI de no menos de 3/8 de pulgada (10mm).

#### LUBRICACIÓN

Todos los modelos pueden operar sin lubricación en la línea de aire. No obstante, la operación de la herramienta sin ningún tipo de lubricación puede afectar el rendimiento de la herramienta y reducir la vida útil de las paletas.

Si no se usa lubricación en la línea de aire, se recomienda que todos los días se aplique aceite a la herramienta antes de usarla para mejorar su rendimiento. Aplique entre 2 y 4 gotas de aceite para motores neumáticos y deje funcionar la herramienta durante 10-20 segundos para que el aceite se distribuya por toda la máquina.

Se recomienda un lubricador de línea de aire que dispense 2 gotas/minuto para un rendimiento y vida útil máximos. Se recomienda el aceite para motores neumáticos SIOUX No. 288.

#### Para muelas rectificadoras de ángulo

Aplique 2 porciones de grasa SIOUX #1232A en el cabezal en ángulo después de cada 8 horas de funcionamiento.

#### MANTENIMIENTO

Las paletas pueden oxidarse o pegarse si se acumula agua, polvo y otros contaminantes en la línea de aire. Aplique unas cuantas gotas de aceite y deje funcionar la herramienta durante 10 segundos en los periodos de inactividad prolongados. De esta forma se eliminan contaminantes y se reduce la formación de óxido.

#### OPERACIÓN

La herramienta de corte gira hacia la derecha desde el punto de vista del operador.



La herramienta tiene una palanca de bloqueo para que no se pueda arrancar accidentalmente el motor.

La velocidad de la herramienta se puede ajustar con el regulador, que está en el lado opuesto de la palanca reguladora.

#### INSTALACIÓN DE MUELAS MONTADAS

### ⚠ ADVERTENCIA



**Desconecte la herramienta de la fuente de aire antes de instalar o desmontar la muela o de hacer algún ajuste**

Inserte la muela en el portapiezas. Compruebe que la espiga de la muela y el portapiezas coincidan en tamaño. La muela no debe extenderse una distancia excesiva más allá del portapiezas.

Sujete el portapiezas con una llave de 9/16 de pulgada (14mm) y la tuerca del portapiezas con una llave de 3/4 de pulgada (19 mm).

Gire la tuerca hacia la derecha hasta que el portapiezas quede bien apretado a la espiga de la muela.

#### DES-MONTAJE DE MUELAS MONTADAS

Para desmontar una muela, sujete el portapiezas con una llave de 9/16 de pulgada (14 mm) y la tuerca con una llave de 3/4 de pulgada (19 mm).

Gire la tuerca hacia la izquierda hasta que se afloje el portapiezas. Desmonte la muela.

#### LECTURA DE VIBRACIONES Y SONIDOS

Nº de Catalogo	Ruido* (Artículo probado de acuerdo con la norma ISO 15744)			Vibración* (Artículo probado de acuerdo con la norma ISO 8662-13:1997)	
	Nivel de presión de sonido (dBA)	Nivel de potencia de sonido (dBA)	Incertidumbre (dBA)	Nivel de vibración m/s <sup>2</sup>	Incertidumbre m/s <sup>2</sup>
SAG03S12	81,5	93,1	3,0	4,28	0,49
SAG03S20	86,4	98	3,0	5,49	0,29



## ISTRUZIONI E LISTINO PARTI PER MOLATRICI/LEVIGATRICI ANGOLARI SERIE SAG03S SERIALE "E"

**Leggere attentamente queste istruzioni prima di usare l'attrezzo.  
CONSERVARE QUESTE ISTRUZIONI!**

### ⚠ AVVERTIMENTO



Utensili a motore non usati correttamente possono creare condizioni di rischio..  
**Chiunque usi, mantenga, sostituisca accessori o lavori vicino a quest'utensile deve leggere attentamente e seguire queste istruzioni di sicurezza!**

*L'uso diverso dal previsto di questi utensili a motore può causare infortuni o decesso.*

#### MISURE CAUTELATIVE PER LE MOLATRICI A STAMPO



Gli elettroattuari Sioux possono contenere sostanze chimiche note allo Stato della California per causare cancro, malformazioni congenite e altri danni riproduttivi.

Le molatrici a stampo possono lanciare in aria particelle.

**È necessario che gli utenti dello strumento e i presenti utilizzino sempre adeguate protezioni per gli occhi.**

*Le particelle volanti possono provocare lesioni agli occhi.*



Gli utensili a motore generano rumore.

**È necessario utilizzare protezioni per le orecchie quando il livello di rumore dell'utensile supera gli 85 dBA. Si consiglia di utilizzare protezioni per le orecchie anche quando il livello di rumore è inferiore a 85 dBA. Consultare il foglio informativo dell'utensile per il livello di rumore. Tra i controlli volti a ridurre le emissioni sonore pericolose includere anche l'eventualità di gettare via i materiali di scarto per evitare risonanze inutili. Controllare sempre che il materiale del silenziatore sia nella smerigliatrice. Quando possibile, impugnare la massa dell'utensile con un supporto o un braccio meccanico.**

**Impugnare l'utensile con presa leggera ma sicura sapendo che occorre applicare una forza sufficiente a contrastare eventuali contraccolpi, ma che un'impugnatura salda aumenta l'intensità delle vibrazioni trasmesse all'operatore.**

*L'esposizione prolungata al rumore può provocare la perdita dell'udito.*



L'uso di questo utensile può provocare all'operatore sintomi di disagio alle mani, alle braccia, alle spalle, al collo ed altre parti del corpo.

**Per evitarli, assumere sempre una posizione di lavoro comoda in grado di garantire una buona presa e un buon equilibrio.**

**Tutti gli operatori e il personale addetto alla manutenzione devono essere fisicamente in grado di gestire la mole, il peso e la forza dell'utensile.**

*Qualora si avvertissero sintomi di dolore, fitte, indolenzimenti, formicolio, torpore, bruciore o rigidità muscolare, riferire al datore di lavoro e consultare un dottore.*



Gli utensili a motore vibrano.

**La vibrazione eccessiva può provocare lesioni. In caso di intorpidimento, formicolio, dolore o impallidimento della cute, interrompere l'utilizzo dell'utensile e consultare un medico. Consultare il foglio informativo dell'utensile per il livello di vibrazione.**

*L'esposizione prolungata alle vibrazioni può provocare lesioni.*



Le mole in rotazione possono provocare tagli ed abrasioni.

**Tenere le mani ed altre parti del corpo lontano dalle mole per evitare tagli o lesioni. Indossare abbigliamento protettivo e guanti per proteggere le mani. Tutti gli operatori e il personale addetto alla manutenzione devono essere fisicamente in grado di gestire la mole, il peso e la forza dell'utensile.**

*Il contatto con mole in rotazione può provocare lesioni.*



Esiste il rischio di rimanere intrappolati nelle molatrici a stampo.

**Mantenere i capelli sciolti lontano dagli utensili a motore e dai loro accessori. Tenere le mani lontane dalle parti mobili dell'attrezzo e degli accessori. Non indossare gioielli, abiti abbondanti, cravatte o sciarpe in prossimità di utensili a motore.**

**Mantenere l'area di lavoro libera da stracci per la pulizia e da tutto quanto potrebbe rimanere impigliato nello strumento. Durante i lavori in alto, utilizzare un elmetto protettivo.**

*Gli oggetti impigliati possono provocare lesioni.*



Le operazioni di molatura creano polvere.

**Assicurarsi che le scintille e i detriti derivanti dall'uso non creino rischi a persone o cose. La valutazione del rischio dovrebbe includere la polvere creata dall'uso dell'utensile e la possibilità di sollevare polvere esistente. Non respirare la polvere della molatura. Utilizzare una maschera approvata. Dirigere gli scarichi in modo da minimizzare il rischio di sollevare polvere in un ambiente polveroso. La lavorazione di certi materiali genera polveri o fumi in grado di causare ambienti potenzialmente esplosivi.**

**Respirare la polvere della molatura può provocare lesioni.**



Scivolamenti, inciampi e cadute sono cause frequenti di infortuni sul lavoro.

**Fare attenzione a superfici sdrucciolevoli causate dall'uso dell'utensile e al pericolo d'inciampare sul tubo dell'aria.**

*Questo utensile non è concepito per l'utilizzo in ambienti potenzialmente esplosivi.*



Questo strumento non è isolato dal contatto con sorgenti di alimentazione elettrica.

**Non utilizzare in prossimità di circuiti elettrici attraversati da corrente. Quando si trapano una parete, prestare attenzione all'eventuale presenza di cavi elettrici nascosti.**

*Le scosse elettriche possono provocare lesioni.*



Questo strumento non è previsto per l'uso in un'atmosfera infiammabile o esplosiva.

**Non utilizzare questo strumento in presenza di prodotti infiammabili o esplosivi.**

*Le esplosioni e gli incendi possono causare lesioni.*



Smerigliare metalli può provocare scintille che possono incendiare materiali o vapori infiammabili.

**Smerigliare metalli solo se l'area è priva di materiali o vapori combustibili o esplosivi.**

*Le esplosioni e gli incendi possono provocare lesioni.*

*Il funzionamento scorretto o il distacco delle mole possono provocare lesioni.*



Le mole portate a velocità eccessiva possono esplodere.

**Controllare frequentemente la velocità dell'utensile con un contagiri. Se il contagiri dovesse indicare una velocità di rotazione più elevata di quella omologata, sospendere l'utilizzo dell'utensile. Controllare la velocità nominale dell'accessorio o la velocità stampata sulla mola. Questa velocità deve essere maggiore della velocità riportata sulla molatrice e della velocità effettiva della molatrice misurata con un tachimetro. Non superare la pressione operativa nominale dell'aria.**

*L'esplosione delle mole può provocare gravi lesioni o la morte.*



Una sporgenza eccessiva riduce la velocità operativa di sicurezza delle mole montate, fa vibrare le mole e piegare gli alberi.

**Nell'utilizzo di molatrici a stampo, mantenere la sporgenza ad un valore minimo. Consultare l'allegata "SAFETY GUIDE FOR SIOUX ABRASIVE WHEEL" (GUIDA DI SICUREZZA PER LA MOLA SIOUX) per informazioni sulla velocità e la sporgenza.**

*Mole in vibrazione ed alberi piegati possono provocare lesioni.*



Le molatrici a stampo possono generare movimenti imprevisi.

**Mantenere sempre una salda presa sullo strumento. Accertarsi che la posizione del corpo consenta di mantenere sempre il controllo dello strumento. Accertarsi che l'equilibrio sia stabile. Se possibile, fissare il pezzo da lavorare in una morsa o con pinze.**

*Gli imprevisi movimenti dello strumento possono provocare lesioni.*



L'applicazione di una forza eccessiva ad uno strumento ne rende difficile il controllo.

**Non forzare gli strumenti.**

*Uno strumento difficile da controllare può provocare lesioni.*



Se si fissa con adesivo o filo la valvola a farfalla in posizione ON, lo strumento non si spegnerà se si blocca o in caso di eventi imprevisi.

**Non fissare con filo o adesivo la valvola "On-Off" di qualsiasi attrezzo elettrico.**

*Gli attrezzi che non possono spegnersi possono causare infortuni.*



L'insufficiente manutenzione e lubrificazione degli strumenti può provocare guasti improvvisi.

**Mantenere sempre lo strumento adeguatamente lubrificato ed in buono stato. Utilizzare solo olio motore Sioux Air n. 288.**

**Consultare il foglio informativo dell'utensile per determinare quali altri grassi ed oli utilizzare. Non lasciar cadere l'estremità del tubo sul pavimento, in quanto raccoglierebbe lo sporco e lo trasporterebbe all'interno dello strumento. Consultare il foglio informativo per qualsiasi altro requisito di manutenzione.**

*Gli improvvisi guasti dello strumento possono provocare lesioni.*



Le mole danneggiate possono esplodere.

**Controllare eventuali danni alla mola, come schegge ed incrinature, prima del montaggio. Maneggiare con cura le mole per evitare cadute o urti. Proteggere le mole dalle temperature e dall'umidità estreme. Controllare le mole immediatamente dopo qualsiasi evento insolito che potrebbe danneggiarle. Controllare le mole ogni giorno. Tenere lo strumento sotto il banco da lavoro o fornire un'altra protezione all'avvio di una nuova mola, di una mola usata che sia stata montata di nuovo o all'inizio di un'attività. Far funzionare a velocità operativa in questa area protetta per almeno un minuto prima di applicare al lavoro. Nessuno dovrà trovarsi di fronte o in linea con la mola durante questo test.**

*L'esplosione delle mole può provocare gravi lesioni o la morte.*



Le bussole, i dadi e la relativa attrezzatura in condizioni scadenti o non idonei per la mola o lo strumento utilizzato possono causare anomalie di funzionamento dello strumento. Le mole non serrate bene possono staccarsi.

**Assicurarsi che tutte le bussole, i dadi e la relativa attrezzatura siano in condizioni soddisfacenti, siano idonei per il tipo e le dimensioni della mola utilizzata, e siano fissati bene. Serrare bene la bussola. Abbinare il diametro della mola o dell'albero accessorio al mandrino o alla bussola.**

*Il funzionamento scorretto o il distacco delle mole possono provocare lesioni.*



I tubi dell'aria possono staccarsi dagli attrezzi elettrici e sferzare.

**Controllare e non utilizzare strumenti con tubi o accessori per l'aria allentati o danneggiati.**

*Tubi per l'aria in vibrazione possono provocare lesioni.*



Molatrici che emettono suoni anomali o vibrano eccessivamente possono indicare un pericolo di esplosione della mola.

**Se il suono normale della molatrice cambia o se essa vibra eccessivamente, spegnerla immediatamente, rimuovere la mola e controllare la velocità con un tachimetro. La velocità dello strumento potrebbe essere eccessiva o la mola potrebbe essere danneggiata o non correttamente montata.**

*L'esplosione delle mole può provocare lesioni o la morte.*



I tubi dell'aria non resistenti all'olio o non approvati per la pressione di servizio possono scoppiare.

**Assicurarsi che tutti i tubi dell'aria siano resistenti all'olio e approvati per la pressione di servizio.**

*Tubi dell'aria che scoppiano possono causare infortuni.*



Il mancato utilizzo degli strumenti alla corretta pressione dell'aria può provocarne il funzionamento anomalo.

**Non superare la pressione massima dell'aria di 6,2 bar o quella indicata sugli strumenti o nelle istruzioni per l'uso. Per mantenere la corretta pressione dell'aria usare un regolatore pneumatico.**

*Il funzionamento anomalo degli utensili a motore può provocare lesioni.*



Gli strumenti riparati in maniera impropria si comportano in maniera imprevedibile.

**Non modificare questo utensile. Eventuali modifiche riducono l'efficacia dei meccanismi di sicurezza facendo così aumentare i rischi per l'operatore. Non utilizzare un utensile danneggiato. Riparare gli strumenti presso un Centro di assistenza autorizzato Sioux.**

*Gli strumenti dalle prestazioni imprevedibili possono provocare lesioni.*



Gli strumenti lasciati connessi all'alimentazione dell'aria possono avviarsi in maniera imprevista.

**Rimuovere sempre lo strumento dall'alimentazione dell'aria ed attivare la levetta di comando per spurgare la linea dell'aria prima di effettuare qualsiasi regolazione, di cambiare gli accessori o di eseguire qualsiasi operazione di manutenzione o assistenza sullo strumento. Controllare regolarmente che tutte le chiavi di regolazione siano state rimosse dallo strumento prima di attivarlo.**

*L'improvviso avvio dello strumento e le chiavi così scagliate possono provocare lesioni.*



Lavorare in aree scarsamente illuminate rende difficile vedere i pericoli.

**Mantenere ben illuminata l'area di lavoro.**

*Aree di lavoro scarsamente illuminate possono provocare lesioni.*



I bambini sono attratti dalle aree di lavoro.

**Mantenere i bambini a debita distanza. Tutti i visitatori devono mantenersi a distanza di sicurezza dall'area di lavoro.**

*I bambini nelle aree di lavoro possono subire lesioni.*



Personale non autorizzato o non addestrato può usare strumenti in modo diverso dal previsto senza sorveglianza.

**Conservare strumenti non in uso in un luogo asciutto, in alto o chiusi a chiave, fuori della portata dei bambini.**

*Strumenti utilizzati in modo diverso dal previsto possono causare lesioni.*



Gli strumenti con il dispositivo di azionamento lasciato nella posizione di attivato quando si verifica una perdita imprevista di pressione dell'aria possono avviarsi improvvisamente al ripristino della pressione.

**Rilasciare il dispositivo di azionamento se si verifica un'imprevista perdita di pressione dell'aria.**

*Un imprevisto avvio dello strumento può provocare lesioni.*



Le molatrici con il dispositivo di azionamento lasciato nella posizione di attivato possono provocare un avvio imprevisto quando lo strumento è connesso all'alimentazione dell'aria.

**Accertarsi che il dispositivo di azionamento sia disattivato prima di collegare l'aria.**

*Un avvio imprevisto può provocare lesioni.*



Le molatrici possono continuare a funzionare per un breve periodo dopo il rilascio della levetta di avviamento.

**Assicurarsi che lo strumento si sia arrestato completamente prima di riparlo.**

*Molatrici non completamente arrestate prima di riporre lo strumento possono provocare lesioni.*



Le mole a disco o le contornitrici non sono consigliate per l'elevata velocità delle molatrici a stampo e possono esplodere o volare via.

**Non utilizzare mole a disco o contornitrici con molatrici a stampo.**

*L'esplosione delle parti o le parti scagliate in volo possono provocare lesioni.*



L'aria sotto pressione può causare gravi infortuni.

**Non orientare mai il getto d'aria verso di sé o chiunque altro.**

**Indirizzare sempre lontano dalle mani l'aria fredda come quella proveniente dallo sfiato.**

**Non maneggiare l'utensile dal tubo dell'aria.**

*Quando si utilizzano raccordi ad avvitamento universali (manicotti con innesto dentato), installare dei perni di bloccaggio e ancorare bene i cavi per evitare colpi frusta e anche eventuali guasti tra tubo e utensile e tra tubo e tubo.*



L'utilizzo, con questo strumento, di accessori non forniti o specificati da Sioux Tools può portare a risultati imprevedibili.

**Utilizzare solo accessori forniti o specificati da Sioux Tools.**

*Strumenti funzionanti in maniera imprevedibile possono provocare lesioni.*

**Quando ormai obsoleto, smaltire adeguatamente lo strumento onde evitare danni all'ambiente o alle persone.**

#### USO PREVISTO

Questo strumento è previsto per l'uso con mola abrasiva piccola montata per la rimozione di precisione di materiale. Le mole montate sono definite come mole abrasive fissate su mandrini lisci o filettati.

#### ARIA

L'efficienza e la vita utile di questo strumento dipendono dall'adeguata disponibilità d'aria pulita, asciutta a una pressione massima di 90 PSI. Si raccomanda l'uso di un filtro della linea dell'aria, di un regolatore di pressione e lubrificante. Prima del collegamento agli strumenti, soffiare nella linea dell'aria per eliminare eventuale acqua e detriti.

#### TUBO E COLLEGAMENTI DEL TUBO

Si raccomanda un tubo d'aria del diametro interno di 10 mm. Se è necessario usare una prolunga, utilizzare un tubo del diametro interno di 13 mm con raccordi di un diametro interno minimo di 10 mm.

#### LUBRIFICAZIONE

Tutti i modelli possono funzionare senza la lubrificazione della linea dell'aria. Tuttavia, l'uso senza la lubrificazione della linea dell'aria può ridurre il rendimento dello strumento e la vita utile della paletta fissa.

Se non si usa una lubrificazione della linea dell'aria, si raccomanda di lubrificare lo strumento ogni giorno prima dell'uso per migliorare il rendimento. Aggiungere 2-4 gocce di olio per motori ad aria e mettere in moto lo strumento per 10-20 secondi per distribuire l'olio nello strumento.

Per migliorare al massimo il rendimento e la vita dello strumento, si raccomanda l'uso di un lubrificante della linea dell'aria, impostato su 2 gocce al minuto. Si raccomanda l'olio per motori ad aria SIOUX No. 288.

#### Per molatrici a stampo con testa angolata

Lubrificare il gruppo della testa angolata con 2 dosi di olio SIOUX #1232A ogni 8 ore di servizio.

#### MANUTENZIONE

Acqua, polvere e altri contaminanti della linea dell'aria possono causare ruggine e il bloccaggio della paletta fissa. Per lunghi intervalli fra utilizzi, lavare lo strumento con alcune gocce di olio e metterlo in moto per 10 secondi. In questo modo si facilita la rimozione dei contaminanti e riduce la formazione di ruggine.

#### USO

Guardando dal lato dell'operatore, la utensile di taglio gira in senso orario.



Lo strumento è dotato di una leva a blocco per evitare l'accensione accidentale.

La velocità dello strumento può essere regolata ruotando il regolatore, che si trova di fronte alla leva della valvola a farfalla.

### ⚠ AVVERTIMENTO



**Scollegare lo strumento dall'aria prima di installare o rimuovere la mola o effettuare qualsiasi regolazione.**

#### INSTALLAZIONE DI MOLE MONTATE

Inserire la mola montata nella bussola. Assicurarsi che le dimensioni del gambo della mola e della bussola corrispondano. Non lasciare che la mola protruda oltre la bussola ad una distanza eccessiva. Mantenere il corpo della bussola con una chiave da 14 mm e il dado a bussola con una chiave da 19 mm. Ruotare il dado a bussola a destra e serrare bene la bussola sul gambo della mola.

#### RIMOZIONE DELLE MOLE MONTATE

Per rimuovere la mola montata, mantenere il corpo della bussola con una chiave da 14 mm e il dado a bussola con una chiave da 19 mm. Ruotare il dado a bussola a sinistra ed allentare la bussola. Rimuovere la mola montata.

#### VALORI DI RUMOROSITA' E VIBRAZIONI

Catalogo n.	Rumore* (Collaudato secondo la norma ISO 15744)			Vibrazioni* (Collaudato secondo la norma ISO 8662-13:1997)	
	Livello di pressione del suono (dBA)	Livello di potenza del suono (dBA)	Incertezza (dBA)	Livello di vibrazioni m/s <sup>2</sup>	Incertezza m/s <sup>2</sup>
SAG03S12	81,5	93,1	3,0	4,28	0,49
SAG03S20	86,4	98	3,0	5,49	0,29





# INSTRUCTIONS & LISTE DE PIÈCES POUR MEULEUSES D'OUTILLAGE À RENVOI D'ANGLE DROIT DE SÉRIE SAG03S SÉRIE "E"

**Veillez lire et comprendre ces instructions avant d'utiliser cet outil.  
CONSERVEZ CES INSTRUCTIONS !**

## ⚠ AVERTISSEMENT



Une utilisation incorrecte d'outils électriques risque d'engendrer des situations dangereuses.  
**Toute personne susceptible d'utiliser, d'entretenir, de remplacer des accessoires ou de travailler à proximité de cet outil doit avoir lu et compris les instructions de sécurité ci-après et s'y conformer !**

*Une utilisation incorrecte d'outils électriques risque de provoquer des dommages corporels, voire même la mort.*

### SÉCURITÉ DES MEULEUSES À RECTIFIER LES MATRICES



Les outils Sioux peuvent contenir des produits chimiques identifiés par l'état de Californie comme pouvant provoquer des cancers, des anomalies congénitales et autres troubles de la reproduction.



Les meuleuses à rectifier les matrices peuvent causer des projections de particules.

**L'utilisateur et les personnes à proximité doivent toujours porter des lunettes de protection.**

*Les projectiles peuvent entraîner des blessures oculaires.*



Les outils pneumatiques sont très bruyants.

**Porter un protecteur anti-bruit lorsque le niveau de bruit dépasse 85dBA. Le port d'un protecteur anti-bruit est recommandé même lorsque le niveau est inférieur à 85dBA. Consulter la fiche technique pour en savoir plus sur le niveau de bruit. Prendre les dispositions nécessaires pour réduire les risques de lésions causées par le bruit, tel que l'utilisation de matériaux amortissant pour éviter les résonances. Toujours s'assurer que le matériau silencieux est en place dans l'outil. Si possible faire reposer le poids de l'outil dans sur un support ou sur un balanceur. Maintenir l'outil avec une prise légère, mais sûre, tout en sachant que la prise doit être suffisante pour contrecarrer les forces de réaction, mais en sachant également qu'une prise trop ferme augmentera la quantité de vibrations qui sont transmises à l'opérateur.**

*L'exposition prolongée au bruit peut entraîner des problèmes d'ouïe.*



L'utilisation de cet outil peut causer un inconfort au niveau des mains, des bras, des épaules, du cou, et d'autres parties du corps.

**Pour prévenir l'apparition d'un inconfort, l'opérateur doit trouver une position de travail confortable qui permet d'avoir une prise de l'outil et un appui au sol corrects.**

*Si l'opérateur ressent une douleur, un picotement, un fourmillement, une perte de sensibilité, une brûlure ou une raideur, il doit contacter à la fois son employeur et un professionnel de santé.*



Les outils pneumatiques sont susceptibles de vibrations.

**Les vibrations excessives peuvent entraîner des blessures. En cas d'engourdissement, fourmillement, douleur ou blémissement, arrêter d'utiliser l'outil et consulter un médecin. Vous référer à la fiche technique de l'outil pour des renseignements concernant l'intensité des vibrations.**

*L'exposition prolongée aux vibrations peut entraîner des blessures.*



Une meuleuse en fonctionnement peut provoquer des blessures et des abrasions.

**Eloigner les mains et le corps de la meuleuse pour ne pas vous blesser ou vous pincer. Porter des gants et des vêtements de protection. Les opérateurs et le personnel d'entretien doivent être physiquement aptes à manipuler le volume, le poids et la puissance de l'outil.**

*Le contact avec une meuleuse en fonctionnement peut entraîner des blessures.*



Les meuleuses à rectifier les matrices présentent un risque d'enchevêtrement.

**Faire attention de ne pas s'emmêler les cheveux dans l'outil ou l'accessoire. Garder les mains éloignées des pièces rotatives de l'outil et de ses accessoires. Ne pas porter bijoux, vêtements vagues, cravate ou cache-col à proximité des outils. Garder le lieu de travail exempt de chiffons et de tout autre objet pouvant s'introduire dans les rouages de l'outil. Porter un casque de sécurité lors d'un travail au dessus du niveau de la tête.**

*L'embrouillement d'objets dans l'outil peut entraîner des blessures.*



Le meulage crée de la poussière.

**L'évaluation des risques doit prendre en compte la poussière générée par l'utilisation de l'outil et le déplacement de poussières existantes. Ne pas inhaler la poussière de meulage. Porter un masque approuvé. Diriger la sortie d'air de telle manière qu'elle ne soit pas un facteur aggravant dans les environnements poussiéreux. Le travail sur certains matériaux peut créer des émissions de poussière ou des fumées qui peuvent être la cause de l'apparition d'une atmosphère explosive.**

*L'inhalation de la poussière de meulage peut mettre la santé en péril.*



Les glissades, les trébuchements et les chutes sont les principales causes d'accidents du travail.

**Bien prendre conscience que l'échappement d'air de cet outil peut générer des surfaces glissantes et que le tuyau d'air comprimé peut présenter des risques de chutes.**

*En complément, procéder avec prudence dans des environnements non familiers, car ils peuvent contenir des dangers cachés.*



Cet outil n'est pas isolé contre le contact avec les circuits électriques.

**Ne pas utiliser à proximité de circuits électriques sous tension. Lors du perçage de murs, ne pas oublier que ceux-ci peuvent cacher des fils électriques.**

*L'électrochoc peut entraîner des blessures.*



Cet outil n'est pas prévu pour être utilisé dans une atmosphère inflammable ou explosive.

**Ne pas utiliser dans une atmosphère inflammable ou explosive.**

*Les explosions et le feu peuvent provoquer des blessures.*



Le meulage de métaux crée des étincelles susceptibles d'enflammer les matériaux et vapeurs inflammables.

**N'effectuer le meulage de métaux dans un lieu exempt de matériaux et vapeurs inflammables.**

*Les explosions et le feu peuvent entraîner des blessures.*

*Si elles sont défilantes ou qu'elles se défont, les meules peuvent entraîner des blessures.*



Une meule tournant à survitesse peut imploser.

**Vérifier régulièrement la vitesse de l'outil avec un tachymètre. Ces vérifications doivent être effectuées sans aucun accessoire monté sur l'outil. Si le tachymètre lit une vitesse supérieure à la vitesse nominale de l'outil, interrompre immédiatement l'usage de celui-ci. Vérifier la vitesse de rotation de l'accessoire ou celle inscrite sur la meule. Cette vitesse doit être supérieure à celle inscrite sur la plaque de fabricant de la meule et à la vitesse réelle de cette dernière mesurée à l'aide d'un compteur de tours. Ne pas dépasser la pression pneumatique nominale.**

*L'implosion d'une meule de ponçage peut entraîner des blessures, voire la mort.*



Une saillie excessive réduit la vitesse de fonctionnement sûre des meules montées, provoquant leur rotation à survitesse et la coudure des arbres.

**En utilisant une rectifieuse, adopter une saillie minimale. Consulter le « GUIDE DE SÉCURITÉ DES MEULES D'ABRASION SIOUX » ci-inclus pour les indications concernant la vitesse et le jeu de coiffage.**

*Les meules tournant à survitesse et les arbres tordus peuvent entraîner des blessures.*



Les meuleuses à rectifier les matrices sont susceptibles de mouvements inopinés.

**Vous assurer d'adopter une position du corps qui permet d'avoir l'outil en contrôle. Vous assurer également d'être dans une position stable. Si possible, fixer le matériau à l'aide d'un étau ou de pinces.**

*Un mouvement inopiné de l'outil peut entraîner des blessures.*



Ne pas trop forcer sur l'outil sous peine d'en perdre le contrôle.

**Ne pas forcer sur l'outil.**

*Un outil peut entraîner des blessures s'il n'est pas convenablement contrôlé.*



Apposer un ruban adhésif ou une ligature pour coincer l'obturateur en position « MARCHE » empêchera l'outil de s'arrêter automatiquement si celui-ci grippe ou mal fonctionne, ou en cas d'incident inattendu.

**Ne pas lier ou scotcher la valve de marche-arrêt "On - Off" sur les outils à air.**

*Les outils bloqués en position de marche ne pouvant s'éteindre représentent un risque de blessures.*



Un outil mal entretenu ou non lubrifié est susceptible de pannes inopinées.

**Vous assurer de lubrifier l'outil comme il se doit et le maintenir en bon état de fonctionnement. Utiliser seulement l'huile de moteur pneumatique Sioux Air Motor Oil No. 288. Consulter la fiche technique de l'outil pour connaître les autres huiles et lubrifiants recommandés. Ne pas laisser traîner l'extrémité du tuyau par terre car il risque de ramasser et introduire de la saleté et dans l'outil. Vous référer à la fiche technique pour en savoir plus sur les recommandations relatives à l'entretien.**

*Une panne inopinée de l'outil peut entraîner des blessures.*



Une meule de ponçage endommagée peut imploser.

**Avant de l'installer, s'assurer que la meule de ponçage est exempte de dommage, tels que des ébréchantures ou des fêlures. Prendre soin de ne pas la laisser tomber ou la cogner. Ne pas l'exposer à des températures ou à l'humidité extrêmes. Examiner la meule tout de suite après tout incident susceptibles d'entraîner des dommages. Les meules de ponçage doivent être examinées quotidiennement. Tenir l'outil sous un établi ou prévoir une autre forme de protection lors de la première utilisation d'une meule de ponçage, d'une meule usagée ayant été ré-installé ou bien au début d'une opération. Faire marcher à la vitesse de fonctionnement dans ce lieu protégé pendant une minute environ avant d'appliquer l'outil à la pièce à usiner. Personne ne doit se trouver devant ou sur la même ligne que la meule durant ce test.**

*L'implosion d'une meule de ponçage peut entraîner des blessures, voire la mort.*



L'utilisation de pinces de serrage, écrous et pièces connexes en mauvais état ou ne convenant pas au type de meule ou d'outil utilisé peut entraîner le dysfonctionnement de la meule. Une meule mal serrée peut être éjectée.

**S'assurer que tous les écrous, pinces de serrage et pièces connexes sont en bon état, conviennent au type ou à la taille de meule utilisée et sont solidement fixés. Serrer la bague solidement. Associer la meule ou le diamètre axial des pièces utilisées avec un mandrin ou une pince de serrage de dimension correspondante.**

*Si elles sont défaillantes ou qu'elles se défont, les meules peuvent entraîner des blessures.*



Les tuyaux à air peuvent se détacher des outils à airs et faire effet de fouet.

**Bien vérifier les outils et ne pas les utiliser si les tuyaux à air ou les accessoires ont du jeu ou s'ils sont endommagés.**

*Le fouettement des tuyaux à air peut entraîner des blessures.*



Si la meuleuse émet un bruit anormal ou qu'elle vibre excessivement, il pourrait s'agir d'une défaillance dangereuse pouvant provoquer l'implosion de l'outil.

**Si le son de la meuleuse change, ou si elle vibre excessivement, l'arrêter tout de suite, ôter la meule, et vérifier la vitesse à l'aide d'un compteur de vitesse. Il se pourrait que l'outil tourne à survitesse, ou qu'il soit endommagé ou mal monté.**

*L'implosion d'une meuleuse peut entraîner des blessures, voire la mort.*



Les tuyaux à air non résistants à l'huile ou non prévus pour la pression d'utilisation peuvent exploser.

**S'assurer que tous les tuyaux à air sont résistants à l'huile et sont de résistance prévue pour la pression d'utilisation.**

*L'explosion d'un tuyau représente un risque de blessures.*



Une pression pneumatique inadéquate est susceptible d'entraîner un fonctionnement irrégulier.

**Ne pas dépasser la pression pneumatique maximum de 90 psig/6,2 bar ou celle inscrite sur la plaque de nom de l'outil ou dans le guide d'utilisation. Utiliser un régulateur pneumatique pour maintenir une pression d'air stable.**

*Un fonctionnement irrégulier d'un outil est susceptible d'entraîner des blessures.*



Les outils mal entretenus ont une performance erratique.

**Ne pas modifier cet outil. Les modifications peuvent réduire l'efficacité ou les mesures de sécurité et augmenter les risques encourus par l'opérateur. Ne pas utiliser si l'outil a été endommagé. Les réparations doivent être effectuées dans un centre Sioux Tools agréé.**

*Le fonctionnement irrégulier d'un outil peut entraîner des blessures.*



Un outil peut démarrer accidentellement s'il est connecté à l'alimentation pneumatique.

**Déconnecter toujours l'alimentation pneumatique et appuyer sur la gâchette pour expulser l'air de la conduite d'air avant tout réglage, changement d'accessoire ou maintenance de l'outil. Veiller à vérifier qu'il n'y a pas de clés de réglage et à vis oubliées dans les rouages de l'outil avant de faire fonctionner ce dernier.**

*Le démarrage accidentel de l'outil et la projection de clés peuvent entraîner des blessures.*



Il est difficile de voir les dangers en travaillant dans un endroit mal éclairé.

**Travailler dans un endroit bien éclairé.**

*Un lieu de travail mal éclairé favorise les accidents.*



Les enfants sont attirés vers les lieux de travail.

**Interdire l'accès aux enfants. Les visiteurs doivent être éloignés de la zone de travail.**

*Les enfants risquent de se blesser s'ils ont accès à la zone de travail.*



Tout personnel non autorisé ou non formé est susceptible d'utiliser ces outils de manière non conforme lorsque ces derniers sont sans surveillance.

**Remiser les outils non utilisés dans un endroit sec, en hauteur ou sous clef et hors de portée des enfants.**

*Des outils utilisés de manière non conforme peuvent causer des blessures.*



Si la commande est sur "MARCHE" et qu'il se produit une perte de pression inopinée, l'outil peut démarrer lorsque pression est rétablie.  
**Relâcher la commande en cas de perte de pression inopinée.**

*Le démarrage accidentel d'un outil peut entraîner des blessures.*



Si le dispositif de commande de la meuleuse se trouve en position "Marche" au moment de la connecter à l'alimentation pneumatique, elle pourrait démarrer accidentellement.

**S'assurer que le dispositif de commande est sur "Arrêt" avant d'activer l'alimentation pneumatique.**

*Un démarrage accidentel peut entraîner des blessures.*



Une meuleuse peuvent momentanément tourner par inertie après le relâchement de la gâchette.

**S'assurer que l'outil est complètement arrêté avant de le poser.**

*Une meule peut entraîner des blessures si elle n'est pas complètement arrêtée au moment d'être posée.*



Les meules à tronçonner et les couteaux de guidage n'ont pas la vitesse nominale des meules à rectifier les matrices et pourraient imploser ou voler en éclats.

**Ne pas utiliser les meules à tronçonner ou les couteaux de guidage avec les meules à rectifier les matrices.**

*Les projectiles peuvent entraîner des blessures.*



L'air sous pression peut causer de sérieuses blessures.

**Ne jamais diriger le jet d'air dans votre direction ou en direction de qui que ce soit.**

**De l'air froid, tel que l'air d'échappement, doit toujours être dirigé ailleurs que sur les mains.**

**Ne portez pas l'outil par le tuyau.**

*Lorsque des raccords tournants universels (raccords griffe) sont utilisés, des goupilles de blocage doivent être installées et des câbles de sécurité doivent être utilisés pour empêcher un effet de fouet si un des raccords se brise.*



L'utilisation d'accessoires non fournis ou recommandés par Sioux Tools peut entraîner un fonctionnement irrégulier.

**N'utiliser que les accessoires fournis ou recommandés par Sioux Tools.**

*Le fonctionnement irrégulier d'un outil peut entraîner des blessures.*

**Mettre les outils au rebut en prenant soin d'éviter tout danger aux personnes et à l'environnement.**

## USAGE PRÉVU

Cet outil est prévu pour être utilisé avec de petites meules sur tige pour effectuer une rectification de précision.

Une meule sur tige est une meule fixée sur un mandrin courant fileté.

### APPORT D'AIR

L'efficacité de cet outil et sa durée de vie dépendront en grande partie d'un apport correct d'air sec et propre à une pression de 90 psi au maximum. L'usage d'un filtre à air, d'un régulateur de pression et d'un lubrificateur est conseillé. Avant d'y brancher l'outil, purgez l'air de la ligne pour en éliminer l'eau et les saletés ayant pu s'y accumuler.

### LE TUYAU ET SON BRANCHEMENT

Le tuyau d'apport d'air conseillé est de 10 mm de DI. Si une rallonge est nécessaire, utiliser une rallonge de 13 mm avec des raccords d'au moins 10 mm de DI.

### LUBRICATION

Tous les modèles peuvent fonctionner sans lubrification de la ligne d'apport d'air. Cependant, utiliser l'outil sans lubrifier la ligne d'apport d'air peut diminuer la performance de l'outil et la durée de vie des palettes de son moteur.

En l'absence de lubrificateur, il est conseillé de lubrifier l'outil quotidiennement avant son utilisation pour améliorer sa performance. Ajouter 2 à 3 gouttes d'huile pour moteur pneumatique et faire tourner l'outil pendant 10 à 20 secondes pour diffuser l'huile dans l'outil.

Pour une durée de vie prolongée et une performance maximale de l'outil, il est conseillé d'utiliser un lubrificateur d'air, réglé à deux gouttes par minute. Utilisez de l'huile pour moteur pneumatique SIOUX N° 288.

### Pour les meuleuses à renvoi d'angle

Lubrifier la tête à renvoi d'angle avec 2 doses d'huile SIOUX N° 1232A toutes les 8 heures d'utilisation.

### MAINTENANCE

L'eau, la poussière et d'autres impuretés dans la ligne d'air peuvent causer de la corrosion et gripper les palettes. Lorsque l'outil n'a pas été utilisé pendant une longue période, purger l'outil avec quelques gouttes d'huile en le faisant tourner pendant 10 secondes. Cela permettra d'éliminer les impuretés et réduira la formation de corrosion.

## ⚠ AVERTISSEMENT



**Débrancher l'outil de la ligne d'apport d'air avant d'installer ou de démonter une meule ou d'effectuer tout réglage.**

## UTILISATION

La meuleuse tronçonneuse tourne dans le sens des aiguilles d'une montre lorsqu'on se place du point de vue de l'opérateur.



L'outil est muni d'une gâchette verrouillée pour éviter un démarrage accidentel. La vitesse de l'outil s'ajuste en tournant le régulateur situé à l'opposé de la gâchette.

### POSE DE LA MEULE SUR TIGE

Insérer la meule sur tige dans la pince de serrage. Veiller à ce que la tige de la meule corresponde à la taille de la pince de serrage. Veiller à ce que la distance séparant la meule de la pince de serrage ne soit pas excessive.

Maintenir le corps de la pince de serrage à l'aide d'une clé de 14 mm (9/16") et l'écrou de la pince à l'aide d'une clé de 19 mm (3/4").

Tourner l'écrou de la pince vers la droite et resserrer fermement la pince sur la tige de la meule.

### RETRAIT DE LA MEULE SUR TIGE

Pour retirer la meule sur tige, maintenir le corps de la pince de serrage à l'aide d'une clé de 14 mm (9/16") et l'écrou de la pince à l'aide d'une clé de 19 mm (3/4").

Tourner l'écrou de la pince vers la gauche et desserrer fermement la pince. Retirer la meule sur tige.

## NIVEAUX ACOUSTIQUES ET VIBRATOIRES

Catalog No.	Bruit* (testé conformément à la norme ISO 15744)			Vibration* (testée conformément à la norme ISO 8662-13:1997)	
	Niveau de pression acoustique (dBA)	Niveau de puissance acoustique (dBA)	Incertitude (dBA)	Niveau de vibration m/s <sup>2</sup>	Incertitude m/s <sup>2</sup>
SAG03S12	81,5	93,1	3,0	4,28	0,49
SAG03S20	86,4	98	3,0	5,49	0,29



## INSTRUCTIES EN ONDERDELENLIJST VOOR HAAKSE SLIJPMACHINES (SERIE SAG03S) SERIE "E"

Zorg dat u deze instructies hebt gelezen en begrepen voordat u dit gereedschap gebruikt.  
**BEWAAR DEZE INSTRUCTIES!**

### ⚠ WAARSCHUWING



Bij verkeerd gebruik kunnen elektrische werktuigen gevaarlijke situaties teweegbrengen.  
**Iedereen die accessoires gebruikt, onderhoudt of vervangt of nabij dit werktuig werkt, moet deze veiligheidsinstructies hebben gelezen, begrepen en volgen!**

*Verkeerd gebruikte elektrische werktuigen kunnen letsel of de dood veroorzaken.*

### VOORZORGSMAATREGELEN VOOR MATRIJZENSLIJPMACHINES



De aangedreven gereedschappen van Sioux kunnen chemische stoffen bevatten waarvan in de staat Californië is vastgesteld dat ze kanker en geboortefwijkingen kunnen veroorzaken en andere schadelijke gevolgen voor de voortplanting kunnen hebben.

Matrijzenslijpmachines kunnen deeltjes doen opvliegen.

**Zowel de gebruiker als de omstanders dienen een stofbril te dragen.**

*Rondvliegende deeltjes kunnen oogletsel veroorzaken.*



Pneumatische boren maken lawaai.

**Oorbescherming moet worden gedragen als het geluidsniveau de 85 dB overschrijdt. Wij raden aan de oorbescherming ook te dragen bij geluidsniveaus onder de 85 dB. Zie specificaties voor meer informatie over het geluidsniveau. Goede voorzieningen ter vermindering van het risico van door geluid veroorzaakt letsel omvatten o.a. dempingsmaterialen om te voorkomen dat het gereedschap gaat ratelen. Controleer altijd of het geluiddempend materiaal in het matrijsslijpparaat zit. Ondersteun de massa van het gereedschap, indien mogelijk, in een standaard of stabilisator. Houd het gereedschap met een lichte, maar veilige greep vast, en denk eraan dat de greep voldoende moet zijn om de reactiekrachten te weerstaan, maar dat een te strakke greep leidt tot overdracht van een grotere hoeveelheid trillingen op de gebruiker.**

*Langdurige blootstelling aan lawaai kan leiden tot gehoorverlies.*



Door het gebruik van dit gereedschap kan de gebruiker ongemak in zijn handen, armen, schouders, nek en op andere plaatsen ervaren.

**Om dit te helpen voorkomen, moet de gebruiker een comfortabele werkpositie vinden die een veilige grip en houvast garandeert.**

*Als de gebruiker pijn, een kloppend, tintelend, dof of brandend gevoel of stijfheid ervaart, moet hij contact opnemen met zowel de werkgever als een arts.*



Pneumatische boren trillen.

**Overmatige trilling kan letsel veroorzaken. Als er verschijnselen optreden van ongevoeligheid, tinteling, pijn of bleek worden, houd dan direct op met werken met dit gereedschap en raadpleeg uw arts. Zie specificaties voor meer informatie over het trillingsniveau.**

*Langdurige blootstelling aan trilling kan letsel veroorzaken.*



Roterende slijpschijven kunnen snij- en schaafwonden veroorzaken.

**Blijf met handen en andere lichaamsdelen uit de buurt van roterende slijpschijven om snij- en schaafwonden te voorkomen.**

**Draag beschermende kleding en werkhandschoenen. Bedienend en onderhoudspersoneel moet fysiek in staat zijn met de bulk, massa en kracht van het gereedschap om te gaan.**

*Aanraking van roterende slijpschijven kan letsel veroorzaken.*



Matrijzenslijpmachines vormen een risico voor vast blijven te zitten.

**Kom niet in de buurt van pneumatische boren en accessoires met loshangend lang haar. Houd uw handen uit de buurt van het gereedschap en bijbehorende accessoires. Draag geen sieraden, open kleding of kettingen in de buurt van pneumatische boren. Zorg dat er op de plek waar de boor wordt gebruikt, geen schoonmaakdoeken rondslingeren of andere voorwerpen die met het gereedschap verstrikt kunnen raken. Draag een veiligheidshelm bij werkzaamheden boven het hoofd.**

*Verstrikt geraakte voorwerpen kunnen letsel veroorzaken.*



Slijpen veroorzaakt stof.

**Zorg dat vonken en vuil door het gebruik niet voor gevaren zorgen. Zorg dat het stof van slijpmachines niet wordt ingeademd.**

**Draag een goedgekeurd stofmasker. Bij de risico-inventarisatie moet ook worden gekeken naar het stof dat bij gebruik van het gereedschap vrijkomt, en naar de kans op verspreiding van bestaand stof. Richt de afvoer zodanig dat verstoring in een stofrijke omgeving wordt beperkt. Bij het bewerken van bepaalde materialen kunnen stof en dampen ontstaan die een explosieve omgeving zouden kunnen vormen.**

*Het inademen van slijpsel kan letsel veroorzaken.*



Uitglijden, struikelen en vallen zijn belangrijke oorzaken van arbeidsletsel.

**Wees u bewust van gladde oppervlakken die door gebruik van het gereedschap ontstaan, en van het gevaar van struikelen over de luchtslang.**

*Dit gereedschap is niet bedoeld voor gebruik op plaatsen waar explosiegevaar kan ontstaan.*



Dit gereedschap is niet beveiligd tegen aanraking met stroombronnen.

**Niet gebruiken in de buurt van open elektrische circuits. Denk er bij het boren in muren om dat er in de muur elektrische bedrading kan lopen.**

*Elektrische schokken kunnen letsel veroorzaken.*



Dit gereedschap is niet bestemd voor gebruik in een ontvlambare of explosieve omgeving.

**Gebruik dit gereedschap niet in de buurt van ontvlambare of explosieve stoffen.**

*Explosies en vuur kunnen letsel veroorzaken.*



Het slijpen van metaal wekt vonken op waardoor ontvlambare stoffen en dampen kunnen ontbranden.

**Zorg dat zich in de ruimte waarin metaal wordt geslepen, geen ontbrandbare of explosieve stoffen of gassen bevinden.**

*Explosies en brand kunnen letsel veroorzaken.*

*Slijpschijven die niet goed functioneren of losschieten, kunnen letsel veroorzaken.*





Te snel draaiende schijven kunnen exploderen.

**Controleer het toerental van het gereedschap regelmatig met een toerenteller. Deze controles moeten worden uitgevoerd zonder dat accessoires zijn gemonteerd. Als het gemeten toerental hoger is dan het nominaal toerental van het gereedschap, mag het niet meer worden gebruikt. Controleer welke snelheid is aangegeven op het hulpstuk of op de schijf. Deze snelheid dient hoger te liggen dan de snelheid op het serieplaatje van de slijpmachine en de feitelijke snelheid van de slijpmachine gemeten met een toerenteller. Zorg dat de aangegeven luchtdruk bij in bedrijf zijn van de machine niet wordt overschreden.**

*Exploderende schijven kunnen ernstig of dodelijk letsel veroorzaken.*



Schijfdelen die te ver uitsteken, verlagen de veilige draaisnelheid van gemonteerde schijven, leiden ertoe dat schijven "slaan" en assen verbuigen.

**Zorg bij gebruik van vormslijpmachines dat schijfdelen minimaal uitsteken. Raadpleeg de ingesloten "VEILIGHEIDSGIDS VOOR SIOUX SLIJPSCHIJVEN" voor informatie m.b.t. snelheid en uitsteken.**

*"Slaande" schijven en verbogen assen kunnen letsel veroorzaken.*



Matrizenslijpmachines kunnen onverwachte bewegingen maken.

**Houd de boor altijd stevig vast. Zorg dat u de boor altijd in uw macht heeft. Let vooral op de stand van uw voeten. Zet het werkstuk vast in een bankschroef of met een klem, voor zover mogelijk.**

*Onverwachte bewegingen van de boor kunnen letsel veroorzaken.*



Door te veel kracht te zetten op een boor wordt deze moeilijk hanteerbaar.

**Gebruik niet te veel kracht.**

*Moeilijk te hanteren gereedschap kan letsel veroorzaken.*



Indien men de regelklep vastzet met tape of draad in de "ON"-stand, kan het gereedschap niet worden uitgeschakeld als het knel geraakt of slecht werkt of als iets onverwachts gebeurt.

**Plak de "ON-OFF" hendel van pneumatisch gereedschap nooit vast en knoei nooit met de bedrading.**

*Gereedschap dat zichzelf niet kan uitschakelen, kan lichamelijk letsel veroorzaken.*



Slecht onderhouden en slecht geïlied gereedschap kan leiden tot plotselinge storingen.

**Zorg steeds dat de boor goed geïlied en in goede conditie is. Gebruik alleen Sioux Air Motor Oil No. 288. Zie specificaties over het gebruik van andere oliën en vetten. Laat het uiteinde van de buis niet op de grond vallen, zodat stof en verontreinigende deeltjes de boor niet kunnen bereiken. Zie specificaties over onderhoud.**

*Overwachte storingen kunnen letsel veroorzaken.*



Beschadigde slijpschijven kunnen exploderen.

**Controleer vóór montage of de schijf beschadigingen heeft, zoals bramen en barsten. Hanteer de schijven voorzichtig, zodat ze niet vallen of ergens tegen stoten. Bescherm de schijven tegen extreme temperatuur of vochtigheid. Controleer de schijven meteen als er iets gebeurd is waardoor ze kunnen zijn beschadigd. Controleer de schijven dagelijks. Houd de machine onder de werkbank of zorg voor een andere bescherming bij het starten van een nieuwe schijf, een opnieuw gemonteerde gebruikte schijf of aan het begin van een bewerking. Laat de machine in deze afgeschermd ruimte ten minste één minuut op normale snelheid draaien, alvorens aan het werk te beginnen. Zorg dat er tijdens dit testdraaien niemand voor of naast de schijf staat.**

*Exploderende schijven kunnen ernstig of dodelijk letsel veroorzaken.*



Spanhulzen, moeren en verwant gereedschap in slechte conditie of het slechte gereedschap voor de gebruikte schijf of het gebruikte gereedschap kan als gevolg hebben dat de schijven slecht werken. Slijpschijven die niet goed vastzitten kunnen losschieten.

**Zorg ervoor dat alle spanhulzen, moeren en verwant gereedschap zich in goede conditie bevindt, dat het juiste gereedschap wordt gebruikt voor het type en de grootte van de gebruikte schijf en goed worden vastgezet. Zet de spanhuls stevig vast. Vergelijk de diameter van de schijf of de schacht van de accessoire met de spankop of spanhuls.**

*Slijpschijven die niet goed functioneren of losschieten, kunnen letsel veroorzaken.*



Luchtslangen kunnen van pneumatisch gereedschap afschieten en gaan zwiepen.

**Controleer de aansluitingen en gebruik geen boren met losse of beschadigde luchtslangen of aansluitingen.**

*Rondzwaaiende luchtslangen kunnen letsel veroorzaken.*



Als de slijpmachine rare geluiden maakt of extreem trilt, kan dit wijzen op een conditie waardoor de schijf kan exploderen.

**Als het normale geluid van de slijpmachine verandert of als de machine hevig gaat trillen, zet hem dan direct uit, verwijder de schijf en controleer de snelheid met de toerenteller. Het kan zijn dat de machine te hoge toeren draait of dat de schijf is beschadigd of niet goed gemonteerd.**

*Exploderende schijven kunnen ernstig of dodelijk letsel veroorzaken.*



Luchtslangen die niet bestand zijn tegen olie of niet voor de werkdruk geklasseerd zijn, kunnen barsten.

**Vergewis u ervan dat alle luchtslangen bestand zijn tegen olie en geklasseerd zijn voor de werkdruk.**

*Slangen die barsten kunnen lichamelijk letsel veroorzaken.*



Bij onjuiste luchtdruk kunnen pneumatische boren storingen geven.

**Zorg dat de luchtdruk niet hoger ligt dan 90 psig/6.2 bar of de waarde aangegeven op het serieplaatje van de boor of in de bedieningshandleiding. Gebruik een regelaar om de juiste luchtdruk te waarborgen.**

*Onjuiste bediening van pneumatische boren kan letsel veroorzaken.*



Niet goed gerepareerde machines kunnen onvoorspelbaar werken.

**Wijzig dit gereedschap niet. Wijzigingen kunnen de effectiviteit van veiligheidsmaatregelen verminderen en de risico's voor de gebruiker verhogen. Gebruik het gereedschap niet als het beschadigd is. Laat machines repareren door een erkende Sioux reparateur.**

*Machines die onvoorspelbaar werken, kunnen letsel veroorzaken.*



Als de luchttoevoer niet wordt afgesloten, kan de boor onverwacht starten.

**Zorg er altijd voor de luchttoevoer af te sluiten en de schakelaar voor decompressie te activeren, alvorens instellingen te wijzigen, andere accessoires te installeren of onderhoudswerk aan de boor te verrichten. Maak er een gewoonte van te controleren of er geen sleutels of ander gereedschap aan de boor zitten, alvorens deze weer aan te zetten.**

*Plotseling startende boren en rondvliegende sleutels kunnen letsel veroorzaken.*



In een slecht verlichte omgeving werken maakt het moeilijk om op gevaren te letten.

**Zorg dat de werkplek goed verlicht is.**

*Een slecht verlichte werkomgeving kan letsel veroorzaken.*



Kinderen komen graag op werkplekken.

**Houd kinderen uit de buurt. Alle bezoekers dienen een veilige afstand van de werkomgeving te bewaren.**

*Kinderen die zich op de werkplek bevinden, kunnen letsel oplopen.*



Onbevoegd of niet opgeleid personeel kan onbewaakt gereedschap verkeerd gebruiken.

**Berg niet gebruikt gereedschap op in een droge, hoge of vergrendelde locatie, buiten bereik van kinderen.**

*Verkeerd gebruikt gereedschap kan letsel veroorzaken.*



Als bij onverwacht luchtdrukverlies de aan/uit-knop van de boor op "AAN" blijft staan, kan de boor onverwacht starten als de luchtdruk is hersteld.

**Zet de aan/uit hendel op uit bij onverwacht verlies van luchtdruk.**

*Boren die onverwacht starten, kunnen letsel veroorzaken.*



Slijpmachines waarbij de aan/uit knop op "aan" is blijven staan, kunnen als de luchttoevoer wordt aangesloten, onverwachts starten.

**Zorg dat de aan/uit knop uitstaat, alvorens de luchttoevoer aan te sluiten.**

*Onverwacht startende slijpmachines kunnen letsel veroorzaken.*



Slijpmachines kunnen als de spanner is losgelaten, nog even doordraaien.

**Zorg dat de machine volledig tot stilstand is gekomen, alvorens deze weg te zetten.**

*Slijpmachines die niet volledig tot stilstand zijn gekomen als ze worden weggezet, kunnen letsel veroorzaken.*



Snijschijven of routerfrezen zijn niet geschikt voor de hoge snelheid van vormslijpmachines en kunnen exploderen of in stukken vliegen.

**Gebruik op vormslijpmachines geen snijschijven of routerfrezen.**

*Exploderende of rondvliegende delen kunnen letsel veroorzaken.*



Lucht onder druk kan ernstig letsel veroorzaken.

**Richt de luchtstroom nooit op uzelf of iemand anders.**

**Koude lucht zoals afvoerlucht moet altijd van de handen af worden gericht.**

**Draag gereedschap niet aan de slang.**

*Overal waar universele draaikoppelingen (klauwkoppelingen) worden gebruikt, moeten borgpennen worden aangebracht en veiligheidskabels worden gebruikt om het falen van aansluitingen van slang op gereedschap en slang op slang te voorkomen.*



Het gebruik van een niet door Sioux Tools geleverd of gespecificeerd onderdeel of accessoire kan onverwachte gevolgen hebben.

**Gebruik alleen door Sioux Tools geleverde of gespecificeerde onderdelen en accessoires.**

*Onverwachte werking van onderdelen of accessoires kan letsel veroorzaken.*

**Als een stuk gereedschap of een onderdeel kan worden weggegooid, doe dit dan zo dat het geen schadelijke gevolgen heeft voor anderen of voor de omgeving.**

## BEOOGD GEBRUIK

Dit gereedschap is bestemd voor gebruik met kleine gemonteerde slijpschijven voor verwijdering van precisiemateriaal.

Gemonteerde schijven zijn slijpschijven die vastzitten op gewone mandrijnen of mandrijnen met schroefdraad.

## LUCHTTOEVOER

De doelmatigheid en gebruiksduur van dit gereedschap hangen af van de juiste toevoer van schone, droge lucht aan maximum 90 PSI. Het gebruik van een luchtslangfilter, drukregelaar en smeerinrichting is aanbevolen. Blaas de luchtlijn uit om opgehoopt water en vuil te verwijderen alvorens het gereedschap aan te sluiten.

## SLANG EN SLANGAANSLUITINGEN

De aanbevolen luchttoevoerslang heeft een binnendiameter van 10 mm. Als een verlengslang vereist is, gebruik dan een slang met binnendiameter van 13 mm met koppelingen met een binnendiameter van ten minste 10 mm.

## SMERING

Alle modellen kunnen worden gebruikt zonder smering van de luchtslang. Het gebruik van het gereedschap zonder smering van de luchtleiding kan echter de prestatie van het gereedschap en de gebruiksduur van de schoepen verminderen.

Als de luchtleiding niet wordt gesmeerd, is het aanbevolen om het gereedschap dagelijks vóór gebruik te oliën om de prestatie te verbeteren. Voeg 2 à 4 druppels luchtmotorolie toe en laat het gereedschap 10 à 20 seconden draaien om de olie over het gereedschap te verdelen.

Voor maximale prestatie en gebruiksduur van het gereedschap is een luchtleiding met smeerinrichting aanbevolen waarbij 2 druppels per minuut worden geleverd. SIOUX nr. 288 luchtmotorolie is aanbevolen.

## Voor haakse matrijzenslijpmachines

Smeer de haakse machine om de 8 werkuren met 2 stoten SIOUX nr. 1232A vet.

## ONDERHOUD

De snijwerkuig werkt rechtersom gezien vanuit het standpunt van de bediener.

Water, stof en andere contaminanten in de luchtleiding kunnen roest en knellen van de schoep veroorzaken. Spoel voor lange periodes tussen gebruik het gereedschap met een paar druppels olie en laat gedurende 10 seconden draaien. Hierdoor worden contaminanten verwijderd en de vorming van roest verminderd.

## GEBRUIK

### ⚠ WAARSCHUWING



**Koppel het gereedschap los van de luchttoevoer voordat u de schijf installeert of verwijdert of enige wijzigingen aanbrengt.**

De snijwerkuig werkt rechtersom gezien vanuit het standpunt van de bediener.



Het gereedschap is uitgerust met een vergrendelend hendel om onbedoeld starten te voorkomen.

De snelheid van het gereedschap kan worden geregeld door aan de regelaar te draaien, die zich tegenover de gashendel bevindt.

## INSTALLEREN VAN GEMONTEERDE SCHIJVEN

Breng de gemonteerde schijf in de spanhuls. Zorg ervoor dat de schacht van de schijf en de spanhuls overeenkomen. Laat de schijf niet te ver buiten de spanhuls uitsteken.

Houd de spanhuls vast met een moersleutel van 14 mm en de moer van de spanhuls met een moersleutel van 19 mm.

Draai de moer van de spanhuls naar rechts en zet de spanhuls stevig vast op de schacht van de slijpschijf.

## VERWIJDEREN VAN GEMONTEERDE SCHIJVEN

Om de gemonteerde schijf te verwijderen houdt u de spanhuls vast met een moersleutel van 14 mm en de moer van de spanhuls met een moersleutel van 19 mm.

Draai de moer van de spanhuls naar links en zet de spanhuls los. Verwijder de gemonteerde schijf.

### GELUIDS- EN TRILLINGSNIVEAUS

Catalogusnummer	Geluidssterkte* (getest volgens ISO 15744)			Vibratie* (getest volgens ISO 8662-13:1997)	
	Geluidsdruk niveau (dBA)	Geluidskracht niveau (dBA)	Onzekerheid (dBA)	Trillingsniveau m/s <sup>2</sup>	Onzekerheid m/s <sup>2</sup>
SAG03S12	81,5	93,1	3,0	4,28	0,49
SAG03S20	86,4	98	3,0	5,49	0,29



## ANVISNINGAR OCH RESERVDELSLISTA FÖR SAG03S-SERIEN” HÖGERVINKLADE TURBINSLIPAR SERIE “E”

Läs och förstå dessa anvisningar innan du använder detta verktyg.  
**SPARA DESSA ANVISNINGAR!**

### ⚠ VARNING



Felaktig användning av motordrivna verktyg kan förorsaka risksituationer.  
**Alla som använder, underhåller, byter tillbehör på eller arbetar nära detta verktyg måste läsa, sätta sig in i och följa dessa säkerhetsanvisningar!**

*Felaktig användning av motordrivna verktyg kan förorsaka personskada eller dödsfall.*

### SÄKERHETSANVISNINGAR FÖR FORMSLIPMASKINER



Sioux motordrivna verktyg kan innehålla kemikalier som i delstaten Kalifornien är kända för att kunna orsaka cancer, förlösningsskador eller andra fortplantningsproblem.



Formslipmaskiner kan producera kringflygande partiklar.

**Personer som använder verktyget och bredvidstående måste alltid vara försedda med lämpligt ögonskydd.**

*Flygande partiklar kan förorsaka ögonskada.*



Motordrivna verktyg skapar buller.

**Hörselskydd måste användas när bullernivån överskrider 85 dBA. Vi rekommenderar att hörselskydd även används när**

**verktygets bullernivå underskrider 85 dBA. Bullernivån finns angiven i informationsbladet för verktyget. Lämpliga kontroller för att minska risker kan omfatta åtgärder som att använda dämpande material för att förhindra självsvängning.**

**Se alltid till att slipmaskinen är ljuddämpad. Avlasta alltid verktygets tyngd med ett stativ eller balanseringsanordning om det är möjligt. Håll verktyget med ett lätt men fast grepp. Håll alltid tillräckligt hårt för att klara av reaktionskrafterna från verktyget, men kom också ihåg att risken för skador på grund av vibrationer är större när verktyget hålls i ett hårdare grepp.**

*En person som utsätts för långvarigt buller kan få nedsatt hörsel.*



Vid användning av verktyget finns det risk för att användaren upplever obehag i händer, armar, axlar, nacke och på andra ställen.

**För att undvika detta, bör användaren hitta en bekväm och stabil arbetsställning som ger ett säkert grepp om verktyget samt gott fotfäste.**

*Om användaren upplever smärta, bultningar, värk, stickningar, domningar eller stelhet bör man kontakta både arbetsgivaren och läkare.*



Motordrivna verktyg vibrerar.

**För mycket vibration kan förorsaka personskada. Om du känner domning, stickningar, har ont eller huden bleknar ska du sluta att använda verktyget och se en läkare. Vibrationsnivån finns angiven i informationsbladet för verktyget.**

*En person som utsätts för långvarig vibration kan få kroppsskador.*



Roterande slipskivor kan förorsaka skär- och rivsår.

**Undvik skärsår och klämskada genom att hålla händer och andra kroppsdelar borta från slipskivor. Använd skyddskläder och handskar för att skydda händerna. Användare och underhållspersonal måste fysiskt kunna klara av verktygets storlek, vikt och effekt.**

*Kontakt med roterande slipskivor kan förorsaka kroppsskada.*



Formslipmaskiner skapar en risk för intrasslande.

**Håll löst hår undan från motordrivna verktyg och tillbehör. Håll händerna borta från verktygets och tillbehörens rörliga delar.**

**Använd inte smycken, löst passande klädesplagg, halsduk eller slips runt motordrivna verktyg. Se till att arbetsytan är fri från rengöringstrasor och allt sådant som skulle kunna trasslas in i verktyget. Om verktyget används över huvudhöjd ska användaren bära hjälm.**

*Intrassling kan förorsaka kroppsskada.*



Slipning skapar damm.

**Se till att gnistor och skräp inte skapar risker. Andas inte in slipdamm. Använd godkänd ansiktsmask. Riskbedömningen bör också omfatta risken för att redan befintligt damm virvlas upp. Vid arbete med vissa material skapas utsläpp av damm och ångor som kan orsaka en potentiellt explosiv miljö.**

*Inandat slipdamm kan förorsaka kroppsskada.*



Halk-, snubbel- och fallolyckor är de främsta orsakerna till arbetsplatskador.

**Observera att frånluften från detta verktyg kan orsaka hala ytor och att luftslangen kan ge risk för snubbelolyckor.**

*Dessutom bör man vara extra försiktig i obekanta omgivningar där det kan finnas okända risker.*



Detta verktyg är inte isolerat mot kontakt med elektriska strömkällor.

**Använd inte i närheten av spänningsförande strömkretsar. Var medveten om att det kan finnas dolda elektriska ledningar när du borrar in i väggar.**

*Elektriska stötar kan förorsaka kroppsskada.*



Detta verktyg är inte avsett att användas i brandfarlig eller explosionsfarlig miljö.

**Använd inte detta verktyg i brandfarlig eller explosionsfarlig miljö.**

*Explosioner och brand kan förorsaka kroppsskada.*



Slipning av metall kan ge upphov till gnistor som kan antända brandfarligt material eller gaser.

**Slipa metall endast om området är fritt från antändbart eller explosionsfarligt material eller gaser.**

*Explosioner och bränder kan förorsaka kroppsskada.*



*Slipskivor som fungerar felaktigt eller lossnar kan förorsaka kroppsskada.*

*Skivor som rusar kan explodera.*



**Kontrollera regelbundet verktygets varvtal med en varvtalsmätare. Dessa kontroller ska utföras utan monterade tillbehör. Om varvtalsmätaren visar ett varvtal som är högre än verktygets nominella varvtal, ska inte verktyget användas mer. Kontrollera hastighetsklassificeringen på tillbehöret eller den hastighet som är tryckt på skivan. Denna hastighet måste vara högre än hastigheten som är angiven på slipmaskinens namnplåt och slipmaskinens faktiska hastighet som mätt med takometer.**

**Överskrid inte klassificeringen för driftslufttryck.**

*Skivor som exploderar kan förorsaka kroppsskada eller dödsfall.*



För stor överskjutning på monterade skivor gör att säker driftshastighet blir lägre, skivorna "piskar" och axlar böjs.  
**Vid användning av turbinslipmaskiner skall överskjutningen hållas så liten som möjligt. Den medföljande säkerhetshandledningen för Sioux-slipskivor innehåller information om rotationshastighet och överhäng.**  
*"Piskande" skivor och böjda axlar kan förorsaka kroppsskada.*



Formslipmaskiner kan ge upphov till oförutsedda rörelser.

**Håll alltid stadigt i verktyget. Se till att din kroppsställning gör det möjligt för dig att ha ständig kontroll över verktyget. Se till att du står stadigt. Se om möjligt till att spärra fast arbetsstycket i ett skruvstöd eller med klammor.**

*Oförutsedda verktygsrörelser kan förorsaka kroppsskada.*



Om du anbringar onödigt stark kraft på ett verktyg blir det svårt att kontrollera det.

**Forcera inte verktyget.**

*Verktyg som är svåra att kontrollera kan förorsaka kroppsskada.*



Om till/frånventilen tejpas eller surras fast i tillslaget läge kan verktyget inte stängas av automatiskt i händelse av låsning eller funktionsfel eller om något oväntat inträffar.

**Tejpa eller surra aldrig fast "Av-På"-ventilen på något industriverktyg.**

*Verktyg som förhindras att stänga av sig kan orsaka skada.*



Illu skötta och dåligt smorda verktyg kan oförutsett sluta att fungera.

**Håll alltid verktyget väl smort och i god funktion. Använd enbart Sioux Air Motor Oil Nr. 288. Uppgifter om andra smörjämnen och oljor som ska användas finns i informationsbladet för verktyget. Släpp inte ned änden på slangen på golvet där den kan plocka upp smuts som kan komma in i verktyget. Ytterligare krav på underhåll finns angivna i informationsbladet.**

*Oförutsedda verktygsfel kan förorsaka kroppsskada.*



Skadade slipskivor kan explodera.

**Innan du monterar skivan kontrollerar du att skivan inte är skadad, t ex att den är kantstött eller sprucken. Var försiktig så att du inte tappar eller stöter till skivan. Skydda skivor från extrem temperatur och luftfuktighet. Inspektera skivorna omedelbart efter det att något ovanligt inträffar som kan ha skadat dem. Inspektera skivorna dagligen. Håll maskinen under en bänk eller annat skydd när du använder en ny skiva för första gången, när du har monterat en begagnad skiva på nytt och när du påbörjar ett arbete. Låt maskinen gå vid driftshastighet i sådan skyddad plats i minst en minut innan du börjar använda den. Ingen person får stå framför eller i linje med skivan under detta test.**

*Exploderande skivor kan förorsaka allvarlig kroppsskada eller dödsfall.*



Hylsor, muttrar och andra delar som är i dåligt skick eller inte är avsedda för den slipskiva eller det verktyg som används kan orsaka funktionsfel i slipskivorna. Slipskivor som inte är ordentligt åtdragna kan lossna.

**Se till att alla hylsor, muttrar och andra delar är i gott skick, att de är avsedda för den typ och storlek av slipskiva som används samt att de är ordentligt åtdragna. Dra åt hylsan ordentligt. Se till att slipskivans eller tillbehörets axeldiameter stämmer överens med chucken eller hylsan.**

*Slipskivor som fungerar felaktigt eller lossnar kan förorsaka kroppsskada.*



Luftslangar kan lossna från industriverktygen och piska runt.

**Inspektera och använd inte verktyg med lösa eller skadade luftslangar eller fattningar.**

*Piskande luftslangar kan förorsaka kroppsskada.*



Slipmaskiner med onormalt ljud eller som vibrerar för mycket kan vara tecken på en risksituation som kan ge upphov till att skivan exploderar.  
**Om slipmaskinens normala ljud förändras eller om den vibrerar för mycket ska du omedelbart stänga av maskinen, ta av skivan och kontrollera hastigheten med en takometer. Maskinen kan rusa eller skivan kan vara skadad eller felaktigt monterad.**

*Skivor som exploderar kan förorsaka kroppsskada eller dödsfall.*



Luftslangar som inte är oljeresistenta eller som inte klassade att klara arbetstrycket kan brista.

**Se till att samtliga luftslangar är oljeresistenta och klassade att klara arbetstrycket.**

*Luftslangar kan brista och orsaka skada.*



Verktyg som drivs med felaktigt lufttryck kan fungera oberäkneligt.

**Överskrid inte högsta tillåtna lufttryck på 90 psig/6,2 bar, eller det som angivs på verktygets namnplåt eller i bruksanvisningen.**

**Använd luftregulator för att bibehålla rätt lufttryck.**

*Motordrivna verktyg som fungerar oberäkneligt kan förorsaka kroppsskada.*



Felaktigt reparerade verktyg kan fungera oberäkneligt.

**Gör inga ändringar på verktyget. Ändringar kan minska effekten av säkerhetsåtgärder och öka risken för användaren.**

**Använd inte verktyget om det har skadats. Låt reparera verktyg hos ett av Sioux auktoriserat servicecenter.**

*Verktyg som fungerar oberäkneligt kan förorsaka kroppsskada.*



Verktyg som har lämnats anslutna till lufttillförseln kan starta oförutsett.

**Koppla alltid ifrån verktyget från lufttillförseln och aktivera utlösaren som avtappar luft från slangen innan du gör justeringar, byter ut tillbehör eller utför underhåll och service på verktyget. Gör det till en vana att du kontrollerar att alla ställkilar och nycklar har avlägsnats från verktyget innan du slår på det.**

*Verktyg som startar oförutsett och flygande ställkilar och nycklar kan förorsaka kroppsskada.*



I dåligt upplysta utrymmen är det svårt att se riskelement.

**Se till att arbetsytan är väl upplyst.**

*Dåligt upplysta arbetsytor kan förorsaka kroppsskada.*



Barn dras till arbetsplatser.

**Håll barn borta. Alla besökare måste hålla sig på säkert avstånd från arbetsplatsen.**

*Barn på arbetsplatser kan utsättas för kroppsskador.*



Obehörig eller utbildad personal kan använda obevakade verktyg felaktigt.

**Förvara oanvända verktyg på en hög eller låst plats, utom räckhåll för barn.**

*Felaktigt använda verktyg kan förorsaka kroppsskada.*



Verktyg som har manövreringsorganet i läget "ON" (PÅ) när en oförutsedd lufttrycksminskning inträffar kan starta oförutsett när lufttrycket återställs.

**Släpp upp manövreringsorganet om en oförutsedd lufttrycksminskning inträffar.**

*Oförutsedd verktygsstart kan förorsaka kroppsskada.*



Slipmaskiner som har manövreringsorganet i läget "on" (på) kan starta oförutsett när maskinen kopplas till lufttillförseln.

**Se till att manövreringsorganet är av innan du kopplar in luft.**

*Oförutsedd start kan förorsaka kroppsskada.*



Slipmaskiner kan fortsätta att glida ett kort tag efter det att du har släppt på utlösaren.

**Se till att maskinen har stannat helt innan du lägger den åt sidan.**

*Slipmaskiner som inte har stannat helt innan de sätts åt sidan kan förorsaka kroppsskada.*





Kapskivor och överfräsborrar är inte klassificerade för de höga hastigheterna på turbinslipmaskiner, och kan därför explodera eller flyga isär.  
**Använd inte kapskivor eller överfräsborrar med turbinslipmaskiner.**

*Delar som exploderar eller flyger isär kan förorsaka kroppsskada.*



Luft under tryck kan orsaka allvarliga skador.

**Rikta aldrig tryckluft direkt mot dig själv eller någon annan.**

**Kall luft som från luften från verktyget ska alltid riktas bort från händerna.**

**Bär aldrig ett verktyg i slangen.**

*När universal twist-kopplingar (klokopplingar) används, ska låsstift vara installerade och man ska använda säkerhetskablar som förhindrar piskskador vid slangbrott slang-till-verktyg och slang-till-slang.*

Om du använder tillbehör med detta verktyg som ej tillhandahålls eller specificeras av Sioux Tools kan dessa fungera oberäkneligt.

**Använd endast tillbehör som tillhandahålls eller specificeras av Sioux Tools.**

*Verktyg som fungerar oberäkneligt kan förorsaka kroppsskada.*



**När du kasserar ett verktyg ska det ske på ett sätt som inte skadar personal eller miljön.**

## AVSETT ANVÄNDNINGSSOMRÅDE

Detta verktyg är avsett att användas med små monterade slipskivor för bortslipning av material med hög precision.

Monterade slipskivor definieras som slipskivor som är fastsatta på släta eller gängade spindlar.

## LUFTTILLFÖRSEL

Verktygets effektivitet och livslängd är beroende av korrekt tillförsel av ren torr luft med ett tryck på max. 6,2 bar (90 psig). Användning av ledningsfilter, tryckregulator och smörjare rekommenderas.

Blås ut luftledningen innan den kopplas in i verktyget, så att eventuellt ansamlat vatten och smuts avlägsnas.

## SLANG OCH SLANGANSLUTNINGAR

Den rekommenderade storleken på luftslangar är 10 mm (3/8 tum) innerdiameter. Om en förlängningsslang används ska denna vara en slang med 13 mm (1/2 tum) innerdiameter, med kopplingar vars innerdiameter inte understiger 10 mm (3/8 tum).

## SMÖRJNING

Alla modeller kan köras utan smörjning av luftledningen, men sådan användning kan reducera verktygets prestanda och skovelhulets livslängd.

Om smörjning av luftledningen inte används rekommenderar vi att verktyget smörjs varje dag innan det används, för att på så sätt förbättra dess prestanda. Tillsätt 2 – 4 droppar olja för tryckluftsmotorer och kör verktyget under 10 – 20 sekunder så att oljan sprids i verktyget.

Maximala prestanda och maximal livslängd uppnås genom att använda en luftledningssmörjare, inställd så att den tillsätter 2 droppar i minuten. Vi rekommenderar SIOUX Air Motor Oil nr. 288.

## Formslipmaskiner med vinklat huvud

Smörj det vinklade huvudet med två insprutningar av SIOUX 1232A smörjfett var åttonde arbetstimme.

## UNDERHÅLL

Vatten, damm eller andra föroreningar i luftledningen kan leda till rost eller att skovelhulet fastnar. Om verktyget används mycket sällan bör det rensas med några droppar olja och köras under 10 sekunder innan det tas i bruk. Detta hjälper till med att avlägsna föroreningar och reducera dammbildningen.

## DRIFT

Slipmaskinen roterar medurs sett från användaren.



Verktyget är utrustat med en låsande avtryckare som förhindrar oavsiktlig igångsättning.

Verktygets hastighet kan justeras genom att vrida regulatorn som sitter på avtryckarens motsatta sida.

## INSTALLERA MONTERADE SLIPSKIVOR

För n den monterade slipskivan i hylsan. Se till att storleken på slipskivan axel stämmer överens med hylsans storlek. Låt inte slipskivan sticka ut alltför långt ur hylsan.

Håll fast hylsan med en 14 mm (9/16 tum) nyckel och hylsmuttern med en 19 mm (3/4 tum) nyckel.

Vrid hylsmuttern åt höger och dra åt hylsan ordentligt på slipskivans axel.

## AVLÄGSNA MONTERADE SLIPSKIVOR

## ⚠ VARNING



**Koppla loss verktyget från lufttillförseln före installation eller avlägsnande av slipskivan och före eventuella justeringar**

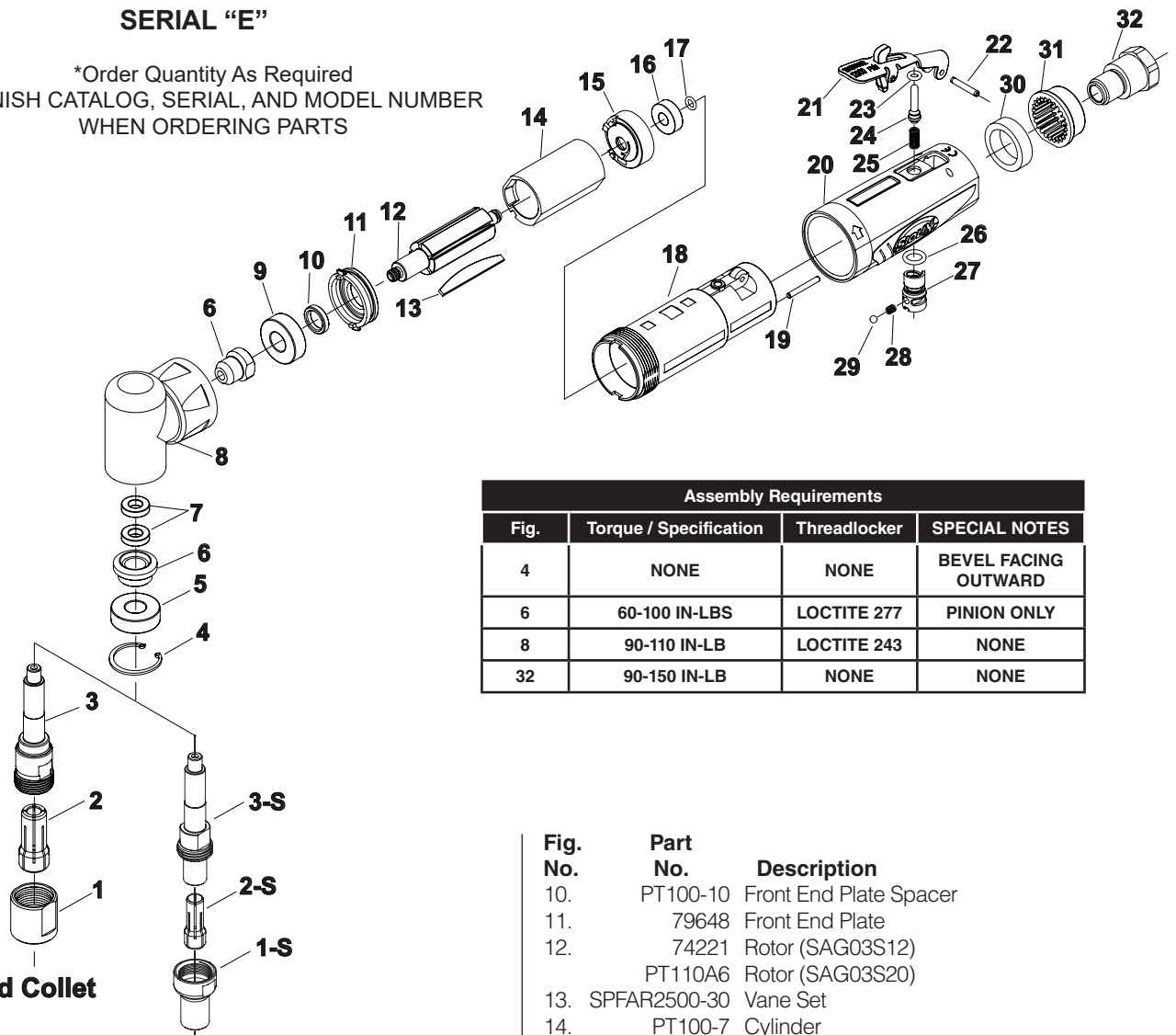
Håll fast hylsan med en 14 mm (9/16 tum) nyckel och hylsmuttern med en 19 mm (3/4 tum) nyckel. Vrid hylsmuttern åt vänster och lossa hylsan. Avlägsna den monterade slipskivan.

## LJUD- OCH VIBRATIONSÄVLÄSNINGAR

Katalog nr.	Buller* (utprovat i enlighet med ISO-standard 15744))			Vibration* (utprovat i enlighet med ISO-standard 8662-13:1997)	
	*Ljudtryck (dBA)	*Ljudstyrka (dBA)	Osäkerhet (dBA)	*Vibration m/s <sup>2</sup>	Osäkerhet m/s <sup>2</sup>
SAG03S12	81,5	93,1	3,0	4,28	0,49
SAG03S20	86,4	98	3,0	5,49	0,29

# PARTS LIST FOR SAG03S SERIES ANGLE DIE GRINDERS SERIAL "E"

\*Order Quantity As Required  
FURNISH CATALOG, SERIAL, AND MODEL NUMBER  
WHEN ORDERING PARTS



Assembly Requirements			
Fig.	Torque / Specification	Threadlocker	SPECIAL NOTES
4	NONE	NONE	BEVEL FACING OUTWARD
6	60-100 IN-LBS	LOCTITE 277	PINION ONLY
8	90-110 IN-LB	LOCTITE 243	NONE
32	90-150 IN-LB	NONE	NONE

Fig. No.	Part No.	Description	
1.	74071	Collet Nut	Standard Collet
2.	74072	Collet (1/8")	
	74073	Collet (3/16")	
	74074	Collet (1/4")	
	68030	Collet (3/8")	
	74075	Collet (3mm)	
	74076	Collet (6mm)	
	68056	Collet (8mm)	
3.	PT110A32	Output Shaft	Compact Collet -S Suffix
1-S.	74128	Collet Nut	
2-S.	74121	Collet (1/8")	
	74124	Collet (3/32")	
	74120	Collet (1/4")	
	74122	Collet (3mm)	
	74123	Collet (6mm)	
3-S.	74129	Output Spindle	
4.	77075	Bowed Retaining Ring	
5.	ME11A12	Ball Bearing	
6.	68872	Gear Set (SAG03S12)	
	68873	Gear Set (SAG03S20)	
7.	SDR-26	Ball Bearing (2)*	
8.	SAG03-300	Angle Head Housing Assembly	
9.	ME11A12	Ball Bearing	

Fig. No.	Part No.	Description
10.	PT100-10	Front End Plate Spacer
11.	79648	Front End Plate
12.	74221	Rotor (SAG03S12)
	PT110A6	Rotor (SAG03S20)
13.	SPFAR2500-30	Vane Set
14.	PT100-7	Cylinder
15.	PT100-5	Rear End Plate
16.	ME11A35	Ball Bearing
17.	ME7B74	O-Ring
18.	PT100-1	Housing
19.	ME2A140	Regulator Pin
20.	78900	Housing Jacket
21.	SPPT100-300	Paddle Assembly
22.	ME2C82	Pin
23.	ME7B97	O-Ring
24.	MR2000-13	Valve Stem
25.	ME1A227	Spring
26.	ME7B5	O-Ring
27.	MR2000-6	Regulator
28.	ME1A189	Compression Spring
29.	ME9A14	Ball
30.	PT100-13	Muffler
31.	PT100-23	Exhaust
32.	ME6F8	Inlet Bushing

Not Shown:

- SDG03-TUS Tune-up Kit (Figures 9, 13 & 16)
- SAS03E-MOTOR Drop-in Motor (SAG03S20)
- SDG03E-MOTOR Drop-in Motor (SAG03S12)
- 77020 Compact Collet Wrench (2)
- ESD1333 Grease Fitting (Included with Figure 8)

## EU DECLARATION OF CONFORMITY

This declaration of conformity is issued under the sole responsibility of the manufacturer:

**Snap-on Tools Company**  
2801 80th Street  
Kenosha, WI 53141-1410, U.S.A.

Object of declaration:

**Product:** Right Angle Die Grinders  
**Model No:** SAG03S  
**Serial Number:** MBNA

The object of the declaration described above is in conformity with the relevant Union harmonisation legislation;

**Machinery Directive:** 2006/42/EC

References to the relevant harmonised standards used or references to the specifications in relation to which conformity is declared:

**Safety:** EN ISO 11148-9:2011  
**Vibration:** EN ISO 28927-12:2012  
**Noise:** EN ISO 15744:2008

The authorized representative located within the community is:

**Matthew Law**  
Snap-on Tools Ltd  
Telford Way Industrial Estate  
Kettering, Northants  
NN16 8SN  
United Kingdom

Signed for and on behalf of the above named manufacturer:

Place and date of issue:

**Kenosha WI 53141-1410, USA**  
**08-2015**

Name, function: **John Fuhreck**  
**Director of Engineering - Power Tools**

Signature:



www.snapon.com  
**Trademark Acknowledgements**  
*Snap-on*<sup>®</sup> is a registered trademark of  
*Snap-on* Incorporated

## EU-KONFORMITÄTSERKLÄRUNG

Diese Konformitätserklärung wird unter der alleinigen Verantwortung des Herstellers herausgegeben:

**Snap-on Tools Company**  
2801 80th Street  
Kenosha, WI 53141-1410, USA

Gegenstand der Erklärung:

**Produkt:** Präzisionsschleifgerät  
**Modell-Nr.:** SAG03S  
**Seriennummer:** MBNA

Der Gegenstand der oben genannten Erklärung erfüllt die einschlägigen Harmonisierungsrechtsvorschriften der Union:

**Maschinenrichtlinie:** 2006/42/EG

Verweise auf die verwendeten einschlägigen harmonisierten Normen oder Bezugnahme auf Spezifikationen, anhand derer die Konformität erklärt wird:

**Sicherheit:** EN ISO 11148-9:2011  
**Schwingungsemission:** EN ISO 28927-12:2012  
**Geräuschemission:** EN ISO 15744:2008

Der Bevollmächtigte innerhalb der Gemeinschaft ist:

**Matthew Law**  
Snap-on Tools Ltd  
Telford Way Industrial Estate  
Kettering, Northants  
NN16 8SN  
Vereinigtes Königreich

Für und im Namen des oben genannten Herstellers unterzeichnet:

Ort und Datum der Ausstellung:

**Kenosha, WI 53141-1410, USA**  
**08-2015**

Name, Funktion: **John Fuhreck**  
**Technischer Direktor – Power Tools**

Unterschrift:



www.snapon.com  
**Markenhinweise**  
*Snap-on*<sup>®</sup> ist eine eingetragene Marke von  
*Snap-on* Incorporated

## DECLARACIÓN DE CONFORMIDAD DE LA UE

Esta declaración de conformidad se emite bajo la responsabilidad exclusiva del fabricante:

**Snap-on Tools Company**  
2801 80th Street  
Kenosha, WI 53141-1410, EE. UU.

Objeto de la declaración:

**Producto:** Rectificadora de matriz  
**Modelo:** SAG03S  
**Número de serie:** MBNA

El objeto de la declaración que se describe anteriormente cumple con la legislación sobre armonización de la Unión Europea:

**Directiva de maquinaria:** 2006/42/EC

Referencias a las normas de armonización relevantes o a las especificaciones en relación a las cuales se declara la conformidad:

**Seguridad:** EN ISO 11148-9:2011  
**Vibración:** EN ISO 28927-12:2012  
**Ruido:** EN ISO 15744:2008

El representante autorizado que se encuentra dentro de la comunidad es:

**Matthew Law**  
Snap-on Tools Ltd  
Telford Way Industrial Estate  
Kettering, Northants  
NN16 8SN  
Reino Unido

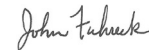
Firmado para el fabricante mencionado anteriormente o en su nombre:

Emitted on the following place and date:

**Kenosha, WI 53141-1410, EE. UU.**  
**08-2015**

Nombre, cargo: **John Fuhreck**  
**Director de Ingeniería -**  
**Herramientas mecánicas**

Firma:



www.snapon.com  
**Aceptación de marcas comerciales**  
*Snap-on*<sup>®</sup> es marca registrada de  
*Snap-on* Incorporated

## DICHIARAZIONE DI CONFORMITÀ EU

La presente dichiarazione di conformità è stata rilasciata ad esclusiva responsabilità del produttore:

**Snap-on Tools Company**  
2801 80th Street  
Kenosha, WI 53141-1410, Stati Uniti

Oggetto della dichiarazione:

**Prodotto: Molatrice per stampi**

**Modello n.: SAG03S**

**Numero di serie: MBNA**

L'oggetto della dichiarazione sopra indicata è conforme alle norme comunitarie armonizzate in materia:

**Direttiva Macchine: 2006/42/CE**

Riferimenti alle pertinenti norme armonizzate utilizzate o riferimenti alle specifiche in relazione alle quali è stata rilasciata la conformità:

**Sicurezza: EN ISO 11148-9:2011**

**Vibrazioni: EN ISO 28927-12:2012**

**Rumore: EN ISO 15744:2008**

Il mandatario stabilito nella Comunità è:

**Matthew Law**  
**Snap-on Tools Ltd**  
Telford Way Industrial Estate  
Kettering, Northants  
NN16 8SN  
Regno Unito

Firmato in nome e per conto del produttore soprannominato:

Luogo e data di rilascio:

**Kenosha, WI 53141-1410, Stati Uniti**  
**08-2015**

Nome, carica:

**John Fuhreck**  
**Direttore tecnico - Elettrotensili**

Firma:



www.snapon.com  
**Marchi registrati**  
**Snap-on®** è un marchio depositato della  
**Snap-on** Incorporated

## DÉCLARATION DE CONFORMITÉ POUR L'UNION EUROPÉENNE

Cette déclaration de conformité est établie sous la seule responsabilité du fabricant :

**Snap-on Tools Company**  
2801 80th Street  
Kenosha, WI 53141-1410, É.-U.

Objet de la déclaration:

**Produit : Meule à rectifier les matrices**

**Modèle : SAG03S**

**Numéro de série : MBNA**

L'objet de la déclaration décrit ci-dessus est en conformité avec la législation d'harmonisation européenne pertinente :

**Directive sur les machines : 2006/42/EC**

Les références aux normes harmonisées utilisées ou référencées dans les spécifications en vertu desquelles la conformité est déclarée :

**Sécurité: EN ISO 11148-9:2011**

**Vibration: EN ISO 28927-12:2012**

**Bruit : EN ISO 15744:2008**

Le représentant agréé dans la communauté est :

**Matthew Law**  
**Snap-on Tools Ltd**  
Telford Way Industrial Estate  
Kettering, Northants  
NN16 8SN  
Royaume-Uni

Signé pour et au nom du fabricant nommé ci-dessus:

Lieu et date de délivrance:

**Kenosha, WI 53141-1410, É.-U.**  
**08-2015**

Nom, fonction:

**John Fuhreck**  
**Directeur ingénierie – Outils**  
**électriques**

Signature:



www.snapon.com  
**Marques déposées**  
**Snap-on®** est une marque déposée de  
**Snap-on** Incorporated

## EU-VERKLARING VAN OVEREENSTEMMING

Voor de afgifte van deze verklaring van overeenstemming is uitsluitend de fabrikant verantwoordelijk:

**Snap-on Tools Company**  
2801 80th Street  
Kenosha, WI 53141-1410, VS

Onderwerp van de verklaring:

**Product: Matrijzenslijpmachine**

**Modelnr.: SAG03S**

**Serienummer: MBNA**

Het onderwerp van de bovenstaande verklaring voldoet aan de relevante harmonisatiewetgeving van de Europese Unie:

**Machinerichtlijn: 2006/42/EG**

Verwijzingen naar de relevante gebruikte geharmoniseerde normen of verwijzingen naar de specificaties waarmee overeenstemming wordt verklaard:

**Veiligheid: EN ISO 11148-9:2011**

**Trilling: EN ISO 28927-12:2012**

**Geluid: EN ISO 15744:2008**

De in de Gemeenschap gevestigde gevolmachtigde vertegenwoordiger is:

**Matthew Law**  
**Snap-on Tools Ltd**  
Telford Way Industrial Estate  
Kettering, Northants  
NN16 8SN  
Verenigd Koninkrijk

Getekend voor en namens bovenstaande fabrikant:  
Plaats en datum van uitgifte:

**Kenosha, WI 53141-1410, VS**  
**08-2015**

Naam, functie:

**John Fuhreck**  
**Director of Engineering - Power**

Tools

Handtekening:



www.snapon.com  
**Verwijzingen naar handelsmerken**  
**Snap-on®** is een gedeponeerd handelsmerk van  
**Snap-on** Incorporated



## EU-FÖRSÄKRAN OM ÖVERENSSTÄMMELSE

Denna försäkrans om överensstämmelse utfärdas på tillverkarens eget ansvar:  
**Snap-on Tools Company**  
2801 80th Street  
Kenosha, WI 53141-1410, U.S.A.

Föremål för försäkrans:

**Produkt:** Matrijzenslijpmachine  
**Modellnr:** SAG03S  
**Serienummer:** MBNA

Föremål för försäkrans som beskrivs ovan överensstämmer med relevant unionslagstiftning om harmonisering;

**Machinerichtlijn:** 2006/42/EC

Hänvisningar till de relevanta harmoniserade standarder som använts eller hänvisningar till de specifikationer enligt vilka överensstämmelsen försäkras:

**Veiligheid:** EN ISO 11148-9:2011

**Trilling:** EN ISO 28927-12:2012

**Lawaai:** EN ISO 15744:2008

Den auktoriserade ombudet inom gemenskapen är:

**Matthew Law**  
**Snap-on Tools Ltd**  
Telford Way Industrial Estate  
Kettering, Northants  
NN16 8SN  
United Kingdom

Undertecknat för och på uppdrag av den ovan angivna tillverkaren:

Plats och datum för utfärdande:

**Kenosha WI 53141-1410, USA**  
**08-2015**

Namn, funktion: **John Fuhreck**  
**Director of Engineering - elektrisch**  
**gereedschap**

Underskrift:



[www.snapon.com](http://www.snapon.com)

**Varumärkeserkännanden**

**Snap-On®** är ett registrerat varumärke som tillhör  
**Snap-on Incorporated**



### ⚠ WARNING



Some dust created by power sanding, sawing, grinding, drilling, and other construction activities contains chemicals known to cause cancer, birth defects or other reproductive harm.

### ⚠ WARNUNG



Der durch Elektrosanden, -sägen, -schleifen und -bohren sowie durch andere Bauarbeiten anfallende Staub enthält Chemikalien, die nachweislich Krebs sowie Geburts- bzw. andere Fortpflanzungsschäden hervorrufen.

### ⚠ ADVERTENCIA



El polvo generado al lijar, aserrar, afilar, taladrar y realizar otras tareas de construcción contiene compuestos químicos que podrían provocar cáncer, malformaciones congénitas y otras alteraciones del aparato reproductor.

### ⚠ ATTENZIONE



La polvere generata da carteggiatura, segatura, smerigliatura, trapanatura con attrezzi elettrici e simili attività può contenere sostanze chimiche che causano cancro, difetti congeniti o altri danni all'apparato riproduttivo.

### ⚠ AVERTISSEMENT



Les poussières produites par les travaux de ponçage, sciage, meulage, perçage et autres activités du bâtiment contiennent des substances chimiques aux propriétés réputées pour provoquer le cancer, des malformations de naissance et d'autres nuisances à l'égard des fonctions de la reproduction.

### ⚠ OPGEPAST



Tijdens het zandstralen, zagen, slijpen, boren en bij andere bouwactiviteiten komen er scheikundige stoffen vrij die kankerverwekkend zijn en die bij pasgeborenen misvormingen veroorzaken of die andere vruchtbaarheidsstoornissen kunnen veroorzaken.

### ⚠ VARNING



Somligt damm som skapas vid användning av verktyg för sandning, sågning, slipning, borrar samt andra aktiviteter innehåller kemikalier som är kända för att orsaka cancer, fosterskador och andra skador vid fortplantning.



This pdf incorporates the following model numbers:

SAG03S12, SAG03S20