



INSTRUCTIONS & PARTS LIST FOR SRW03S-25, SRW03S-38, SRW03S-38Q SRW07-38 & SRW07-50 SIOUX RATCHETS SERIAL "A"

Read and understand these instructions before operating this tool.
SAVE THESE INSTRUCTIONS!

⚠ WARNING



When used improperly power tools can create hazardous situations.
Everyone using, maintaining, changing accessories or working near this tool must read, understand and follow these Safety Instructions!
Improperly used power tools can cause injury or death.

Air Ratchet Safety Messages



Sioux power tools may contain chemicals known to the State of California to cause cancer, birth defects, or other reproductive harm.



Power tools can cause flying particles during use.

Wear safety goggles, user and bystanders.

Flying particles can cause injury.



Power tools generate noise.

Wear hearing protection, user and bystanders.

Prolonged exposure to noise can cause hearing loss.



Power tools vibrate.

Avoid prolonged exposure to vibration, repetitive motions and uncomfortable positions.

Stop using the tool if discomfort, tingling feeling or pain occurs. Seek medical advice before resuming use.

Prolonged exposure to vibration, repetitive motions and uncomfortable positions can cause injury.



Risk of contamination from hazardous dust.

Wear an approved dust mask or respirator when using power tools that create dust.

Some dust created by power sanding, sawing, grinding, drilling and other construction activities contains chemicals known to cause cancer, birth defects or other reproductive harm.

Inhaling hazardous dust can cause injury.



Sudden changes in motion or position can occur while using the tool.

Anticipate and be alert for changes in motion during start up and operation.

Maintain a secure grip.

Anticipate reaction force. Adjust your stance and hold tool securely.

Observe the position of the reverse mechanism before operating the tool and be aware of rotation direction when you press the trigger.

Sudden changes in motion or position can cause injury.



Risk of entanglement.

Keep body parts away from moving parts.

Do not wear loose clothing and jewelry while operating tool.

Wear protective hair covering to contain long hair.

Do not carry tool with your finger on the trigger.

Remove adjusting keys or wrenches before turning the tool on.

Do not lock, tape, wire, etc., the trigger in the ON position.

Keep handle dry, clean and free from oil and grease.

Always shut off air supply and disconnect tool from air supply when changing accessories.

Entanglement can cause injury.



Flammable vapors can explode.

Do not use near flammable vapors or near a gas line or gas tank.

Direct tool exhaust air away from flames or hot surfaces.

Do not lubricate tools with flammable or volatile liquids such as kerosene, diesel or jet fuel.

Use only recommended lubricants.

Explosion and flames can cause injury.



Lubricating oil is discharged with exhaust air.

Operate tool in a well-ventilated area.

Avoid breathing exhaust air.

Breathing air with oil mist can cause injury.



Electricity can cause electric shock.

Do not use on or near live electrical circuits, or under the influence of medication, drugs or alcohol.

This tool is not insulated against electrical shock.

Electric shock can cause injury.



Work area can contain hazards.

Keep work area clean and well lit.

Stay alert and use common sense when operating tool. Do not operate when fatigued, or under the influence of medication, drugs or alcohol.



Before using the tool, make sure that a shutoff device has been fitted on the supply line and the location is well-known and easily accessible so that the air supply to the tool can be shut off in an emergency.
 Never lay a tool down until the attachment has stopped moving.
 Do not overreach. Keep proper footing and balance at all times.
 Do not allow bystanders to contact tool.
 Keep bystanders at a safe distance from the work area.
 Wear appropriate protective apparel, users and bystanders.
 Direct exhaust air to avoid blowing air or debris from the workpiece onto the user or bystanders.
 When operating in heights, be aware of things below and around you.
 When tool is not in use, shut off the air supply and press trigger or lever to relieve air pressure.
 If tool is not to be used for a period of time, lubricate it, disconnect it from the air supply line and store it in a dry place with moderate temperature.
 Store tools when not being used in a high, dry and locked area that can not be accessed by children.
Work area hazards can cause injury.



Risk of whipping compressed air hoses.
Attach air lines securely.
Check the air hose and fittings regularly for wear.
Do not connect quick-connect couplings directly to the tool.
Use a whip air hose no longer than 60" (150 cm).
Whipping compressed air hose can cause injury.



Untrained users can create hazards.
Secure work with a clamp or a vise whenever possible.
Use the right tool. Do not use a tool that is too light or too heavy for the work.
Do not force tool.
Operate air tools at 90 psig (6.2 bar, 620 kPa) maximum air pressure.
It is expected that users adopt safe working practices and observe all local, regional or country legal requirements when installing, using or maintaining this tool.
Improper use can cause injury.



Improper repairs or lack of maintenance can create hazards.
Do not modify or make temporary repairs. Use only genuine Snap-on replacement parts for maintenance and repair. Servicing and repairs should be performed only by trained personnel.
Do not use the tool if it vibrates too much, makes unusual noises, has loose parts, or shows any other sign of damage.
If tool malfunctions, discontinue use and immediately arrange for service and repair. If it is not practical to remove the tool from service, shut off the tool air supply, write a warning tag and attach the tag to the tool.
Do not remove any manufacturer fitted safety devices (e.g., wheel guards, safety trigger, speed governors).
If this tool becomes damaged beyond repair, disassemble and degrease the tool. Then separate all parts by material type and recycle.
Improper parts, repair or maintenance can cause injury.

WARNING	
	<p style="text-align: center;">Using damaged and incorrect sockets or accessories can cause flying particles. Do not use chipped, cracked or damaged sockets or accessories. Use only power or impact sockets and accessories. Use only ball-joint flexible sockets. Do not use square block type flex sockets. When using extensions, hold air ratchet so that socket fits straight on the fastener. <i>Flying particles can cause injury.</i></p>

APPLICATIONS

The Sioux SWRW03 & SRW07 Series Air Ratchets are rugged, variable speed, reversible air ratchets that are ideal for many confined automotive and industrial applications.
 The SRW07 ratchets are designed and built to make fast work of light duty fastener turning jobs that do not require more than 35 ft.lb. (47 N•m) torque.
 The SRW03 ratchets are designed and built for light and medium duty fastener turning jobs that do not require more than 70 ft. lb. (94 N•m) torque.

AIR SUPPLY

The efficiency and life of this tool depend on the proper supply of clean, dry air at a maximum of 90 PSI. The use of an air line filter, pressure regulator, and lubricator is recommended.
 Before connecting to tools, blow out the air line to remove water and dirt that may have accumulated.

AIR COMPRESSOR

The air compressor should have sufficient capacity to deliver 3.8 cfm (27 SCFM) at 90 psig (6.2 bar, 620 kPa) at each outlet while the tool is running.
 The receiver tank should have sufficient capacity to provide surge balance for each air tool.

FILTER

A filter should be used to assure clean air for the tool. Water, dirt and scale act as abrasives which could damage the air tool. A filter unit should be installed between the compressor and the air regulator and air lubricator.

AIR STRAINER

An air strainer is built into the removable air inlet bushing located at the rear of the ratchet. To clean, remove the bushing and use an air hose to blow dirt and other particles from the screen and bushing. Torque the air inlet bushing to 100 in. lb. (11.3 N•m).

INSTALLING SOCKETS

The SRW07-50 uses 1/2" square drive sockets. The SRW03S-38 & SRW07-38 uses 3/8" square drive sockets. The SRW03S-25 uses 1/4" square drive sockets. Be sure that only power or impact sockets are used.

TRIGGER

A trigger controls the air flow valve, which regulates the power and speed of the ratchet. The button provides for variable low speed control with feathering ability and progressive, high speed control for high torque requirements. The distance of trigger movement directly controls the amount of air flow to the air motor.

REVERSE MECHANISM

The direction of rotation is determined by the position of the selector knob in the drive body. Be sure the selector knob is positioned fully in either direction before depressing the trigger. Turning the selector knob to the left turns the nut or bolt in a clockwise direction.

SERVICE INSTRUCTIONS

Refer to parts listing. Use only genuine Sioux replacement parts for maintenance and repair. Servicing and repairs should be performed only by trained personnel.

HOSE AND HOSE CONNECTIONS

The air supply hose recommended is 3/8" (10mm) I.D. If an extension hose is necessary, use 1/2" (13mm) ID hose with couplings not less than 3/8" (10mm) I.D.

LUBRICATION

All models may operate without airline lubrication. However, operating the tool without airline lubrication may reduce tool performance and vane life.

If an airline lubrication is not used, it is recommended that the tool be oiled daily before use to improve performance. Add 2-4 drops of air motor oil and run the tool for 10-20 seconds to distribute oil through the tool.

For maximum performance and tool life, an air line lubricator, set to deliver 2 drops per minute, is recommended. SIOUX No. 288 Air Motor Oil is recommended.

For Ratchet Mechanism Lubrication

Lubricate the ratchet head assembly with 2 shots of SIOUX #1232A grease every 8 working hours.

Inject grease through the flush-type fitting on the selector knob until fresh grease becomes visible on both sides of the ratchet head.

MAINTENANCE

Water, dust and other airline contaminants can cause rust and vane sticking. For long periods between tool use, flush the tool with a few drops of oil and run for 10 seconds. This will help remove contaminants and reduce the formation of rust.

OPERATION

Speed of the tool may be adjusted by turning the regulator, which is located opposite the throttle lever.

⚠ WARNING

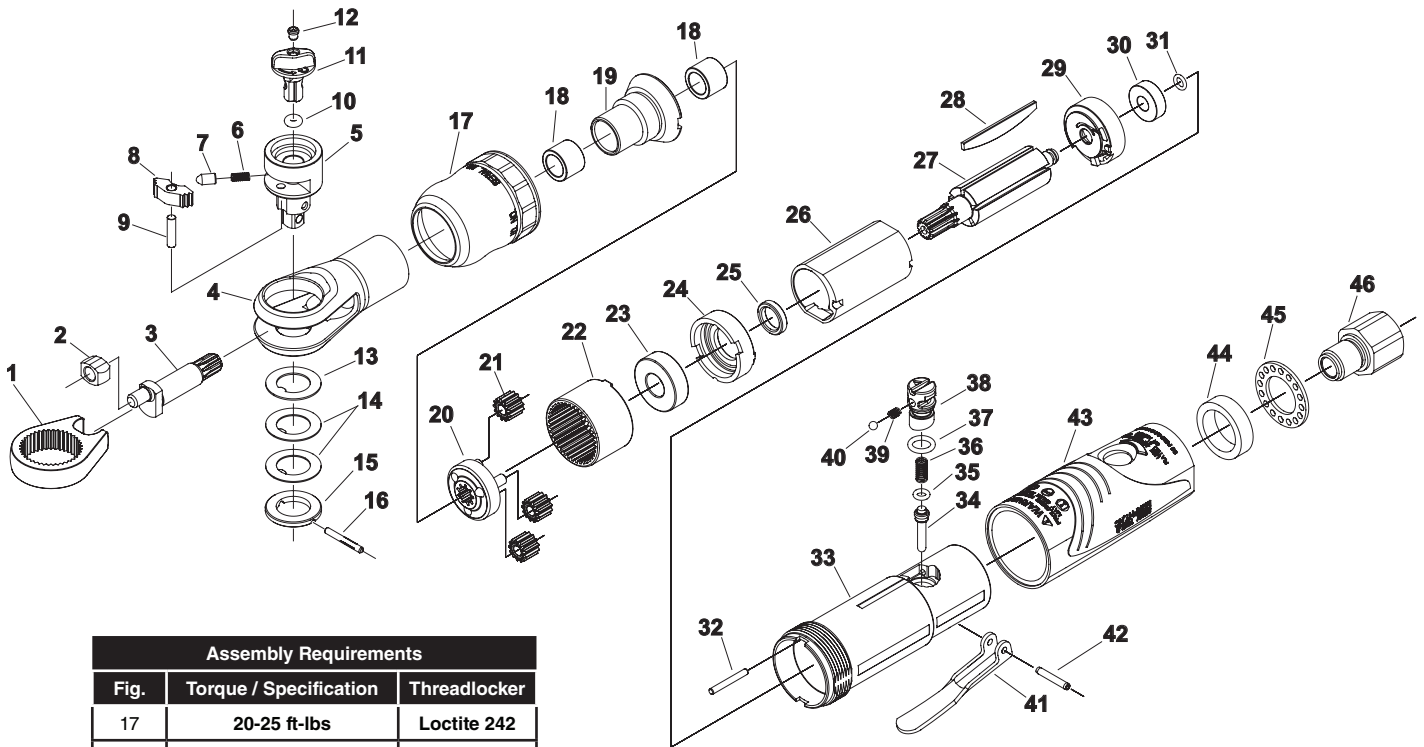


Disconnect tool from air supply before installing or removing sockets or making any adjustments

NOISE AND VIBRATION READINGS

Catalog Number	Noise* (Tested in accordance with ISO Standard 15744)			Vibration* (Tested in accordance with ISO Standard 28927)	
	*Sound Pressure (dBA)	*Sound Power (dBA)	Uncertainty (dBA)	*Vibration m/s ²	Uncertainty m/s ²
SRW03S-25	84.0	95.6	3.0	2.5	0.4
SRW03S-38	84.0	95.6	3.0	2.5	0.4
SRW03S-38Q	TBD	TBD	TBD	TBD	TBD
SRW07-38	91.4	103.0	3.0	9.04	1.89
SRW07-50	91.4	103.0	3.0	9.04	1.89

PARTS LIST FOR SRW03S-25 & SRW03S-38 SIOUX RATCHETS SERIAL "A"



Assembly Requirements		
Fig.	Torque / Specification	Threadlocker
17	20-25 ft-lbs	Loctite 242
46	20-25 ft-lbs	Loctite 242

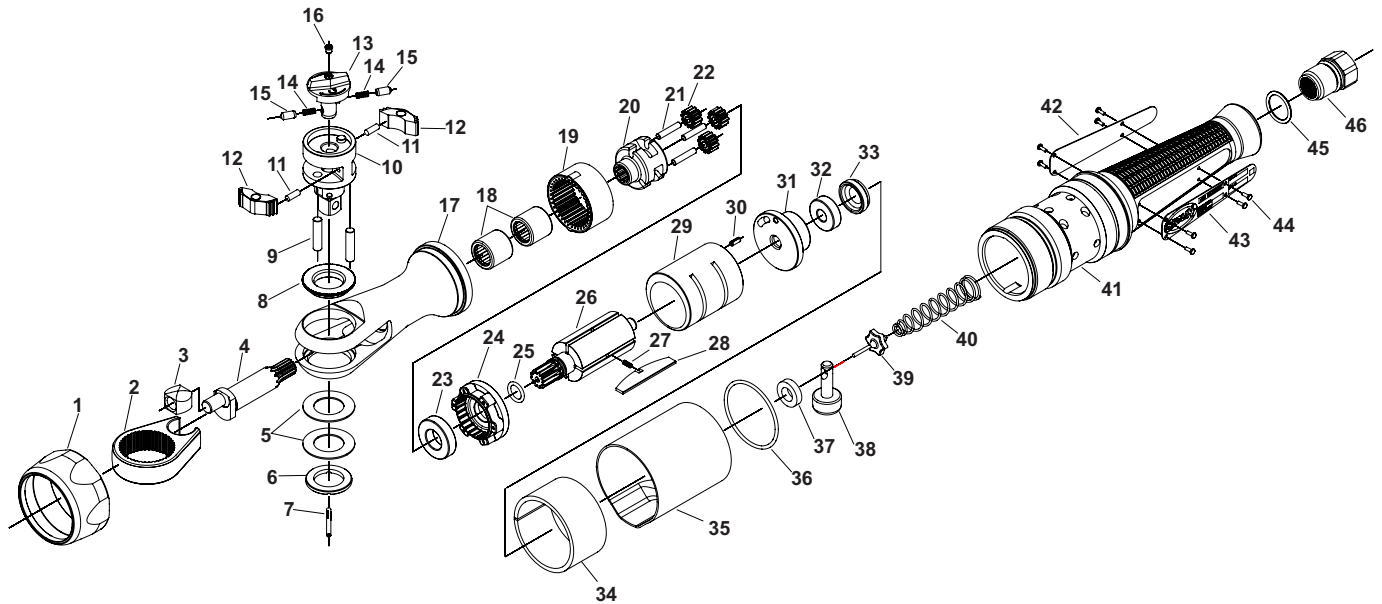
*Order Quantity As Required
FURNISH CATALOG, SERIAL,
AND MODEL NUMBER WHEN
ORDERING PARTS

Fig. No.	Part No.	Description
1	FAR25-8	Ratchet Head
2	FAR25-7	Bar Element
3	PTR200-5	Crank Shaft
4	FAR2500DM2	Ratchet Housing
5	FAR2500-31R	Drivebody (SRW03S-25)
	FAR2505-31R	Drivebody (SRW03S-38)
6	ME1A228	Plunger Spring
7	FAR25-34A	Plunger
8	CTR714-302	Pawl
9	ME2A129	Pawl Pin
10	ME7B88	O-Ring
11	FAR2533B	Selector Knob
12	ESD1333	Grease Zerk
13	FAR25-12A	Wear Washer
14	ME1G12	Disc Spring (2)*
15	FAR25-41	Groove Washer
16	ME2C80	Spring Pin
17	FAR2500DM11	Clamp Nut
18	ME11B15	Caged Needle Bearing (2)*
19	FAR2500-35	Lock Nut
20	FAR25-100	Gear Carrier Assembly
21	FAR25-6	Planet Gear (3)*
22	PTR200-3A	Internal Gear
23	ME11A12	Ball Bearing
24	PT100-4	Front End Plate
25	PT100-10	Front End Plate Spacer
26	PT100-7	Cylinder
27	FAR2500-6	Splined Rotor
28	FAR2500-305V	Vane Service Set of 5

Fig. No.	Part No.	Description
29	PT100-5	Rear End Plate
30	ME11A35	Ball Bearing
31	ME7B74	O-Ring
32	ME2A140	Regulator Pin
33	PT100-1	Housing
34	MR2000-13	Valve Stem
35	ME7B97	O-Ring
36	ME1A227	Spring
37	ME7B5	O-Ring
38	MR2000-6	Regulator
39	ME1A189	Compression Spring
40	ME9A14	Ball
41	FAR25-11A	Paddle
42	ME2C82	Spiral Pin
43	78900	Housing Cover
44	PT100-13	Muffler (SRW03S-25 & SRW03S-38)
	66191	Muffler (SRW03S-38Q)
45	PT100-2	Exhaust Washer
46	ME6F7	Inlet Bushing

Not Shown: YA905 Boot

PARTS LIST FOR SRW07-38 & SRW07-50 SIOUX RATCHETS SERIAL "A"



*Order Quantity As Required
FURNISH CATALOG, SERIAL,
AND MODEL NUMBER WHEN
ORDERING PARTS

Assembly Requirements		
Fig.	Torque / Specification	Threadlocker
1	20-25 ft-lbs	Loctite 242
46	20-25 ft-lbs	Loctite 242

Fig. No.	Part No.	Description
1	FAR7200-11	Clamp Nut
2	FAR72B-8B	Ratchet Head Finished
3	FAR7200-7	Bar Element
4	FAR7200-5	Drive Shaft
5	ME1G17	Disc Spring FAR7200 (2)*
6	FAR7200-41	Grooved Washer
7	ME2D173	Grooved Pin
8	FAR7200-9R	Wear Bushing
9	ME2A108B	Pawl Pin (2)*
10	FAR7200-301R	Drive Body (3/8" Model)
	PTR778-301R	Drive Body (1/2" Model)
11	ME2A133	Stop Pin-Pawl (2)*
12	FAR72C302	Pawl (2)*
13	FAR72A310AR	Selector Knob
14	ME1A168C	Compression Spring (2)*
15	FAR72A306A	Plunger (2)*
16	ESD1333	Grease Zerk
17	PTR72-400R	Ratchet Head Housing (Includes figures 8 & 18)
18	ME11B14	Needle Bearing (2)*
19	FAR7200-3A	Internal Gear
20	FAR72-4A	Gear Carrier
21	ME2A107	Gear Pin (3)*
22	FAR72-6	Planetary Gear (3)*
23	ME11A46	Ball Bearing
24	FAR72-505A	End Plate
25	ME7B76	O-Ring
26	FAR72-501A	Rotor
27	ME1A203	Spring (4)*
28	FAR72B-2044V	Vane (Set of 4)
29	PD3C221A	Cylinder Liner
30	ME2C45	Pin

Fig. No.	Part No.	Description
31	PTR72-211	Rear End Plate
32	ME11A27	Ball Bearing
33	PD3C203	Plug
34	FAR72C33	Muffler Material
35	74928	Muffler
36	ME7B23J	O-Ring
37	IM5100-22A	Trigger Valve Seat
38	FAR72C200	Trigger Stem
39	IM5100-20A	Trigger Valve
40	ME1A226	Tipper Spring
41	74926	Housing
42	74924	Warning Label
43	74927	ID Label
44	09954	Rivet (8)*
45	ME7B68	O-Ring
46	ME6F1A	Inlet Adaptor Bushing (Includes figure 45)

Not Shown:
YA889A Boot For Ratchet Head



⚠ WARNING



Some dust created by power sanding, sawing, grinding, drilling, and other construction activities contains chemicals known to cause cancer, birth defects or other reproductive harm.

⚠ WARNUNG



Der durch Elektrosanden, -sägen, -schleifen und -bohren sowie durch andere Bauarbeiten anfallende Staub enthält Chemikalien, die nachweislich Krebs sowie Geburts- bzw. andere Fortpflanzungsschäden hervorrufen.

⚠ ADVERTENCIA



El polvo generado al lijar, aserrar, afilar, taladrar y realizar otras tareas de construcción contiene compuestos químicos que podrían provocar cáncer, malformaciones congénitas y otras alteraciones del aparato reproductor.

⚠ ATTENZIONE



La polvere generata da carteggiatura, segatura, smerigliatura, trapanatura con attrezzi elettrici e simili attività può contenere sostanze chimiche che causano cancro, difetti congeniti o altri danni all'apparato riproduttivo.

⚠ AVERTISSEMENT



Les poussières produites par les travaux de ponçage, sciage, meulage, perçage et autres activités du bâtiment contiennent des substances chimiques aux propriétés réputées pour provoquer le cancer, des malformations de naissance et d'autres nuisances à l'égard des fonctions de la reproduction.

⚠ OPGEPAST



Tijdens het zandstralen, zagen, slijpen, boren en bij andere bouwactiviteiten komen er scheikundige stoffen vrij die kankerverwekkend zijn en die bij pasgeborenen misvormingen veroorzaken of die andere vruchtbaarheidsstoornissen kunnen veroorzaken.

⚠ VARNING



Somligt damm som skapas vid användning av verktyg för sandning, sågning, slipning, borrarning samt andra aktiviteter innehåller kemikalier som är kända för att orsaka cancer, fosterskador och andra skador vid fortplantning.



This pdf incorporates the following model numbers:

SRW03S-25, SRW03S-25-RP, SRW03S-38, SRW03S-38-RP, SRW07-38, SRW07-50