



# INSTRUCTIONS & PARTS LIST FOR SDR10T T-HANDLE AIR DRILLS SERIAL "A"

Read and understand these instructions before operating this tool.  
**SAVE THESE INSTRUCTIONS!**

## ⚠ WARNING



When used improperly power tools can create hazardous situations.  
**Everyone using, maintaining, changing accessories or working near this tool must read, understand and follow these Safety Instructions!**  
*Improperly used power tools can cause injury or death.*

### DRILL SAFETY



Drills can cause flying particles.  
**Proper eye protection must be worn at all times by tool user and bystanders.**  
*Flying particles can cause eye injury.*



Power tools generate noise.  
**Ear protection must be worn when tool noise level exceeds 85 dBA. We also recommend that ear protection be worn when the tool noise level is below 85 dBA. See the tool's information sheet for the noise level.**  
*Prolonged exposure to noise can cause hearing loss.*



Power tools vibrate.  
**Excessive vibration can cause injury. If numbness, tingling, pain or whitening of the skin occurs, stop using tool and consult a physician. See the tool's information sheet for the vibration level.**  
*Prolonged exposure to vibration can cause injury.*



Drills present a risk of entanglement.  
**Keep loose hair away from power tools and accessories. Keep hands away from moving parts of the tool and accessories. Do not wear jewelry, loose clothing, or neckwear around power tools. Keep work area clear of cleaning rags and all items that could become entangled with the tool.**  
*Entanglements can cause injuries.*



Drilling operations creates dust.  
**Do not breathe drilling dust. Use approved mask.**  
*Breathing drilling dust can cause injury.*



This tool is not insulated for contact with electric power sources.  
**Do not use near live electric circuits. When drilling into walls, be aware that they may have hidden electric wires.**  
*Electric shock can cause injury.*



This tool is not intended for use in a flammable or explosive atmosphere.  
**Do not use this tool in a flammable or explosive atmosphere.**  
*Explosions and fire can cause injury.*



When using a drill, sudden and unexpected tool movement can occur:

- When the drill bit breaks through the material being drilled.
- If the tool stalls because of being pushed too hard.
- If the bit snags on the material being drilled.

**Be sure your body position allows you to have control of the tool at all times. Make sure your footing is secure.**  
*Sudden and unexpected tool movement can cause injury.*



Using excessive force on a tool makes it hard to control.  
**Do not force tool.**  
*Hard to control tool can cause injury.*



Taping or wiring the throttle valve in the "ON" position will prevent the tool from shutting off if the tool should jam or malfunction or if anything unexpected happens.  
**Do not wire or tape down the "On-Off" valve of any power tool.**  
*Tools that are prevented from shutting off can cause injury.*



Poorly maintained and lubricated tools can fail unexpectedly.  
**Keep tool properly lubricated and in good repair at all times. Use only Sioux Air Motor Oil No. 288. See the tool's information sheet to find out what other greases and oils to use. Do not drop the end of the hose on the floor where it will pick up dirt and transport it into the tool. See information sheet for any additional maintenance requirements.**  
*Unexpected tool failures can cause injury.*



Air hoses can come loose from power tools and whip.  
**Inspect and do not use tools with loose or damaged air hoses or fittings.**  
*Whipping air hoses can cause injury.*



Air hoses that are not oil resistant or are not rated for the working pressure can burst.  
**Make sure that all air hoses are oil resistant and rated for the working pressure.**  
*Air hoses that burst can cause injury.*





Tools not operated at proper air pressure can operate erratically.

**Do not exceed a maximum air pressure of 90 psig/6.2 bar or as stated on the tool's nameplate or operating instructions. Use an air regulator to maintain proper air pressure.**

*Erratic operation in power tools can cause injury.*



Improperly repaired tools perform unpredictably.

**Repair tools at an Authorized Sioux Service Center.**

*Tools that perform unpredictably can cause injury.*



Tools left connected to the air supply can start unexpectedly.

**Always remove tool from air supply and activate trigger to bleed air line before making any adjustments, changing accessories, or doing any maintenance or service on tool. Make it a habit to check to see that all adjusting keys and wrenches have been removed from tool before turning it on.**

*Tools starting unexpectedly and flying keys and wrenches can cause injury.*



Working in poorly lit areas makes it hard to see hazards.

**Keep work area well lit.**

*Poorly lit work areas can cause injury.*



Children are attracted to work areas.

**Keep children away. All visitors must keep a safe distance away from work area.**

*Children in work areas can be injured.*



Unauthorized or untrained personnel can misuse unattended tools.

**Store idle tools in a dry, high or locked-up place, out of the reach of children.**

*Misused tools can cause injury.*



Tools with the actuator left in the "ON" position when an unexpected air pressure loss occurs can start unexpectedly when the air pressure is restored.

**Release the actuator if an unexpected loss of air pressure occurs.**

*Unexpected tool starts can cause injury.*



Tools with the actuator left in the "on" position can cause unexpected starts when the tool is connected to the air supply.

**Be sure actuator is off before hooking up air.**

*Unexpected starts can cause injury.*



The use of any accessory with this tool not provided or specified by Sioux Tools can perform unpredictably.

**Use only accessories provided or specified by Sioux Tools.**

*Tools that perform unpredictably can cause injury.*



**When disposing of a tool, do it in a way that does not harm personnel or the environment.**

#### ASSEMBLY

Coat threads on half inch pipe (40072) with anti-seize compound or pipe dope. Thread one end of pipe into tee on handle assembly and other end into bushing on power unit and torque to 60 ft-lb.

#### INTENDED USE

This tool is intended to be used with drill bits for drilling holes in wood, metal and other materials.

#### OPERATION

The air motor is started by lifting the operating lever.

#### AIR SUPPLY

The efficiency and life of this tool depend on the proper supply of clean, dry air at a maximum of 90 PSI. The use of an air line filter, pressure regulator, and lubricator is recommended.

Before connecting to tools, blow out the air line to remove water and dirt that may have accumulated.

#### HOSE AND HOSE CONNECTIONS

The air supply hose recommended is 3/8" (10mm) I.D. If an extension hose is necessary, use 1/2" (13mm) ID hose with couplings not less than 3/8" (10mm) I.D.

#### LUBRICATION

For maximum performance and tool life, an air line lubricator, set to deliver 3 drops per minute, is recommended. SIOUX No. 288 Air Motor Oil is recommended.

If an airline lubrication is not used, it is recommended that the tool be oiled daily before use to improve performance. Add 2-4 drops of air motor oil and run the tool for 10-20 seconds to distribute oil through the tool.

Lubricate the gears through the grease fitting with Sioux 1232A grease after 100 hours of operation.

#### MAINTENANCE

Water, dust and other airline contaminants can cause rust and vane sticking. For long periods between tool use, flush the tool with a few drops of oil and run for 10 seconds. This will help remove contaminants and reduce the formation of rust.

### WARNING



**Disconnect tool from air supply before installing or removing wheel or making any adjustments**

# PARTS LIST FOR SDR10T SERIES DRILLS NON-REVERSING SINGLE REDUCTION SERIAL "A"

\*Order Quantity As Required  
FURNISH CATALOG, SERIAL, AND MODEL NUMBER  
WHEN ORDERING PARTS

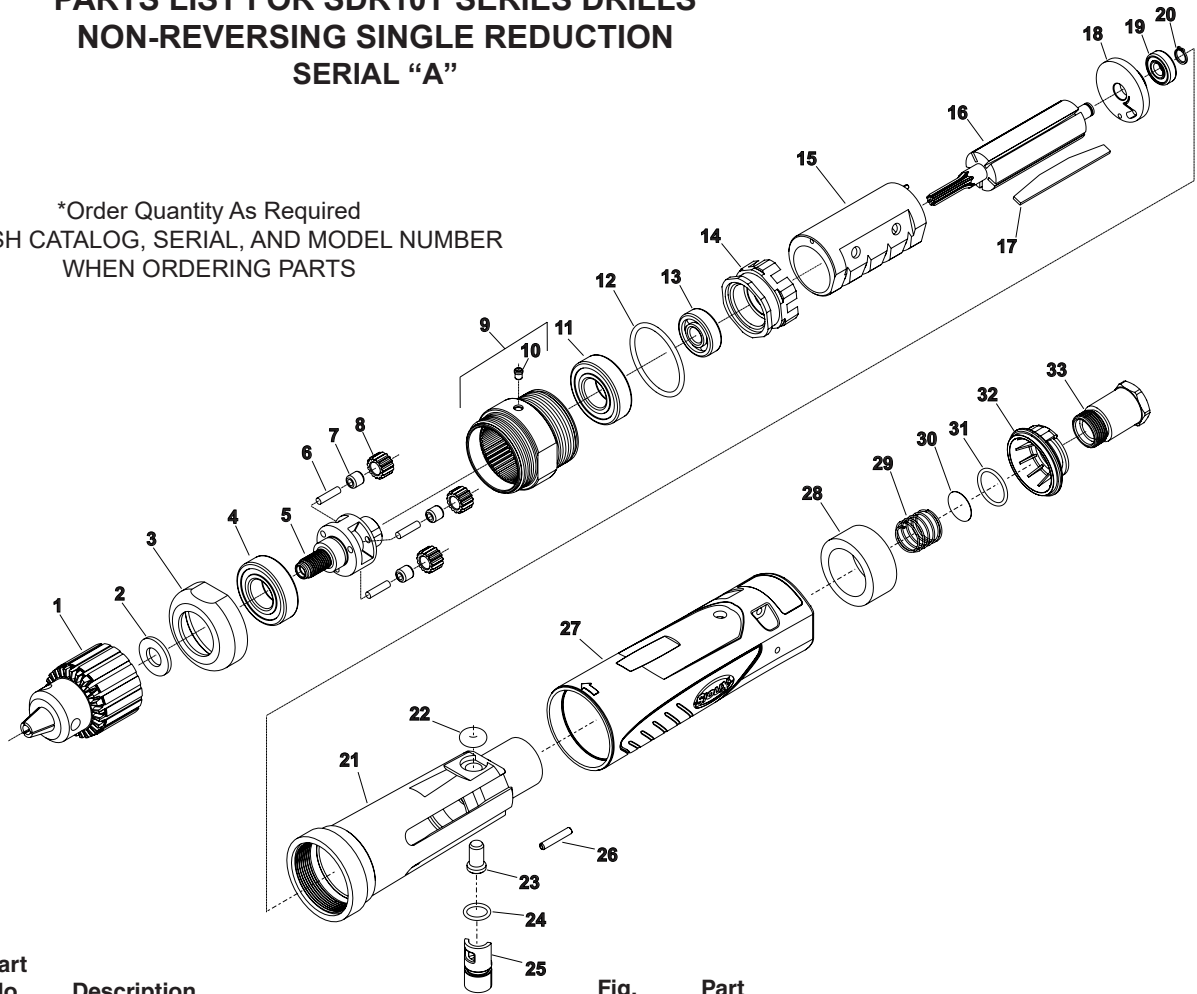


Fig. No.	Part No.	Description
1.	SP21133	3/8" Chuck (for model numbers ending with 3)
	SP74222	1/2" Chuck (for model numbers ending with 4)
2.	ME5A72	Washer (for model numbers ending with 3)
	35798	Washer (for model numbers ending with 4)
3.	SDR-43	Gear Case Cap
4.	10265	Ball Bearing
5.	SDR-60	Gear Carrier (for models ending in 26N3)
	SDR-62	Gear Carrier (for models ending in 40N3)
	SDR-64	Gear Carrier (for models ending in 26N4)
6.	SDR-24	Pin (3)*
7.	10028B	Needle Bearing (3)*
8.	SDR-45	Planetary Gear (3)*(4000 RPM)
	SDR-44	Planetary Gear (3)*(2600 RPM)
9.	SDR-40	Single Reduction Gear Case (Includes Figure 10)
10.	30375	Grease Fitting
11.	ME11A33A	Ball Bearing
12.	14333B	O-Ring
13.	10220	Ball Bearing
14.	SDR-50	Front End Plate
15.	SP74030	Cylinder, Non-Reversing
16.	SDR-7	Rotor (7 tooth) (2600 RPM)
	SDR-8	Rotor (10 tooth) (4000 RPM)
17.	SP74048	Vane (Set of 5)
18.	74023	Rear End Plate
19.	10253	Ball Bearing
20.	21491	Retaining Ring
21.	SDG-1	Straight Non-Reversing Housing
22.	67793	O-Ring
23.	69008	Throttle Plug
24.	14290	O-Ring
25.	74013	Regulator
26.	06402	Screw, 6-32 X 3/4 Set Soc Hex

Fig. No.	Part No.	Description
27.	74004	Cover
28.	74016	Muffler
29.	66056	Spring
30.	74011	Screen
31.	14281B	O-Ring, 1/16 X 5/8 X 3/4
32.	77048	Rotatable Exhaust Deflector
33.	79103	Inlet Adaptor 1/2" NPT

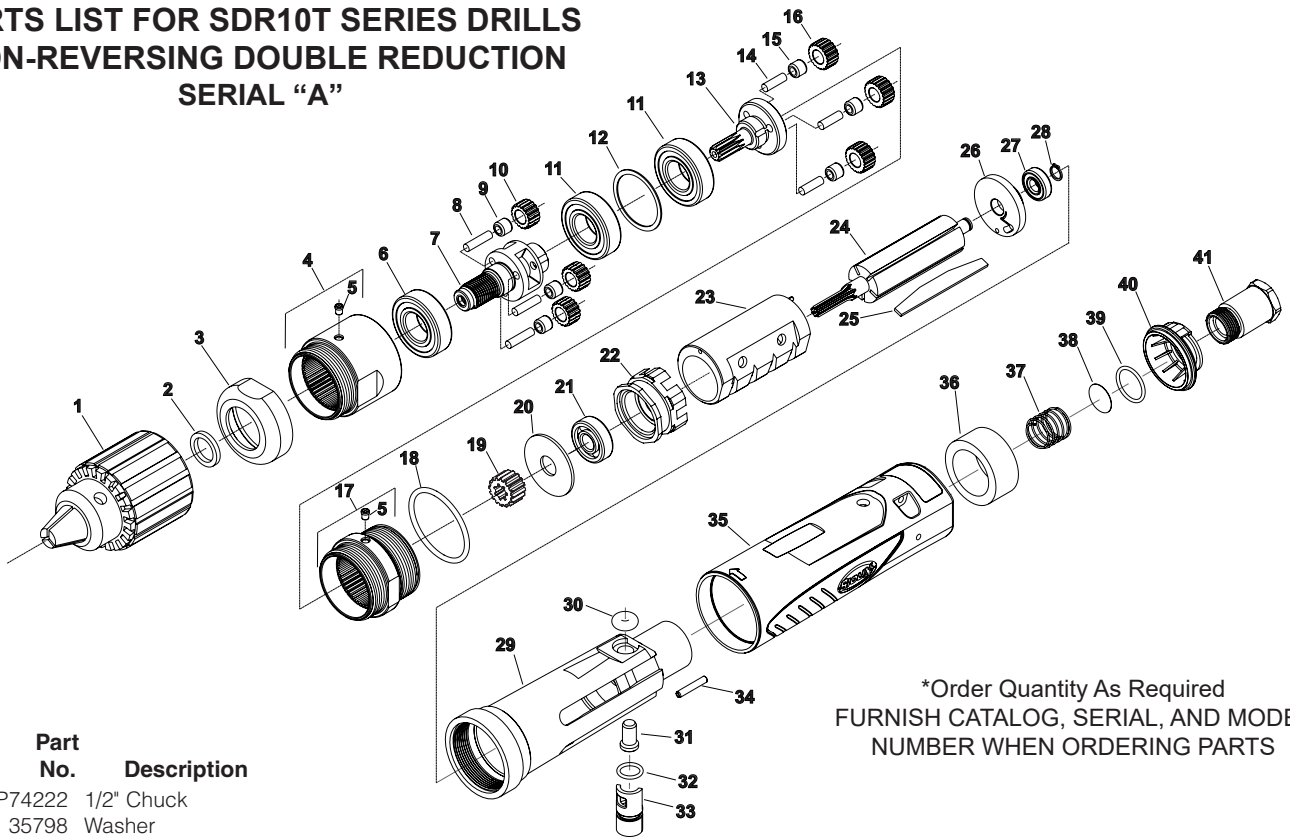
### Complete Assemblies:

SPSDR-7SA	7 Tooth Rotor Motor Assembly (Includes Figures 13-20)(2600 RPM)
SPSDR-8SA	10 Tooth Rotor Motor Assembly (Includes Figures 13-20)(4000 RPM)
SPSDR10T26N4	2600 RPM, 1/2" Non-Rev Drill Assembly (Includes Figures 1-33)
SPSDR10T26N3	2600 RPM, 3/8" Non-Rev Drill Assembly (Includes Figures 1-33)
SPSDR10T40N3	4000 RPM, 3/8" Non-Rev Drill Assembly (Includes Figures 1-33)
SPSDR-60A	Gear Carrier Assembly (Includes Figures 4-8) (for model numbers ending in 26N3)
SPSDR-62A	Gear Carrier Assembly (Includes Figures 4-8) (for model numbers ending in 40N3)
SPSDR-64A	Gear Carrier Assembly (Includes Figures 4-8) (for model numbers ending in 26N4)

### Not Shown:

30002	Chuck Key 3/8"
30429	Chuck Key 1/2"

**PARTS LIST FOR SDR10T SERIES DRILLS  
NON-REVERSING DOUBLE REDUCTION  
SERIAL "A"**



\*Order Quantity As Required  
FURNISH CATALOG, SERIAL, AND MODEL  
NUMBER WHEN ORDERING PARTS

Fig. No.	Part No.	Description
1.	SP74222	1/2" Chuck
2.	35798	Washer
3.	SDR-43	Gear Case Cap
4.	SDR-42	Double Reduction Gear Case (Includes Fig. 5)
5.	30375	Grease Fitting (2)*
6.	10265	Ball Bearing
7.	SDR-65	Gear Carrier (400, 700 & 1200 RPM)
	SDR-68	Gear Carrier (1600 RPM)
8.	SDR-24	Pin (3)*(400, 700 & 1200 RPM)
	30062	Pin (3)*(1600 RPM)
9.	10028FC	Needle Bearing (3)*(400, 700 & 1200 RPM)
	10040	Needle Bearing (3)*(1600 RPM)
10.	SDR-45	Planetary Gear (3)*(400, 700 & 1200 RPM)
	SDR-46	Planetary Gear (3)*(1600 RPM)
11.	ME11A33A	Ball Bearing (2)*
12.	SDR-27	Spacer
13.	SDR-36	Cantilevered Gear Carrier (1200 RPM)
	SDR-37	Cantilevered Gear Carrier (700 RPM)
	SDR-38	Cantilevered Gear Carrier (400 RPM)
	SDR-39	Cantilevered Gear Carrier (1600 RPM)
14.	SDR-24	Pin (3)*(400 & 700 RPM)
	30062	Pin (3)*(1200 & 1600 RPM)
15.	10028B	Needle Bearing (3)*(400 & 700 RPM)
	10040	Needle Bearing (3)*(1200 & 1600 RPM)
16.	SDR-44	Planetary Gear (3)*(400 RPM)
	SDR-45	Planetary Gear (3)*(700 RPM)
	SDR-46	Planetary Gear (3)*(1200 & 1600 RPM)
17.	SDR-41	Gear Case (Includes Fig. 5)
18.	14333B	O-Ring
19.	SDR-47	Sun Gear (1200 & 1600 RPM)
20.	SDR-29	Wear Plate
21.	10220	Ball Bearing
22.	SDR-50	Front End Plate
23.	SP74030	Cylinder, Non-Reversing
24.	SDR-7	Rotor (7 tooth)(400, 1200, & 1600 RPM)
	SDR-8	Rotor (10 tooth)(700 RPM)
25.	SP74048	Vane (Set of 5)
26.	74023	Rear End Plate
27.	10253	Ball Bearing
28.	21491	Retaining Ring
29.	SDG-1	Straight Non-Reversing Housing
30.	67793	O-ring
31.	69008	Throttle Plug
32.	14290	O-Ring
33.	74013	Regulator
34.	06402	Screw, 6-32 X 3/4 Set Soc Hex

Fig. No.	Part No.	Description
35.	74004	Cover
36.	74016	Muffler
37.	66056	Spring
38.	74011	Screen
39.	14281B	O-Ring, 1/16 X 5/8 X 3/4
40.	77048	Rotatable Exhaust Deflector
41.	79103	Inlet Adaptor 1/2" NPT

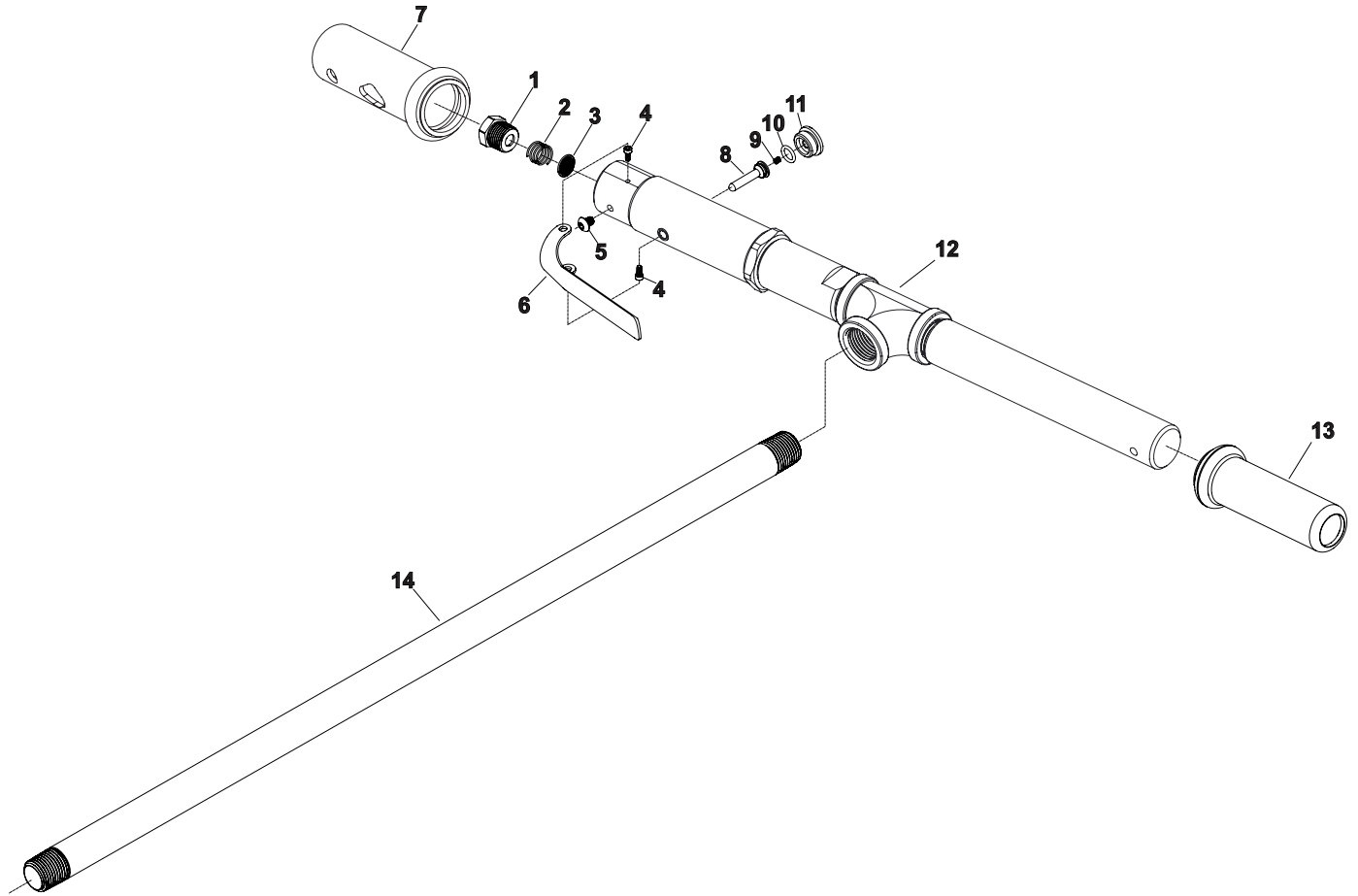
**Complete Assemblies:**

SPSDR-7SA	7 Tooth Rotor 1HP Motor Assembly (Includes Figures 21-28) (400, 1200 & 1600 RPM)
SPSDR-8SA	10 Tooth Rotor Motor Assembly (Includes Figures 21-28) (700 RPM)
SPSDR10T4N4	400 RPM, 1/2" Non-Rev Drill Assembly (Includes Figures 1-41)
SPSDR10T7N4	700 RPM, 1/2" Non-Rev Drill Assembly (Includes Figures 1-41)
SPSDR10T12N4	1200 RPM, 1/2" Non-Rev Drill Assembly (Includes Figures 1-41)
SPSDR10T16N4	1600 RPM, 1/2" Non-Rev Drill Assembly (Includes Figures 1-41)
SPSDR-65A	Gear Carrier Assembly (Includes Figures 6-10) (400, 700 & 1200 RPM)
SPSDR-68A	Gear Carrier Assembly (Includes Figures 6-10) (1600 RPM)
SPSDR-36A	Gear Carrier Assembly (Includes Figures 11, 13-16) (1200 RPM)
SPSDR-37A	Gear Carrier Assembly (Includes Figures 11, 13-16) (700 RPM)
SPSDR-38A	Gear Carrier Assembly (Includes Figures 11, 13-16) (400 RPM)
SPSDR-39A	Gear Carrier Assembly (Includes Figures 11, 13-16) (1000 RPM)

**Not Shown:**

30429 Chuck Key 1/2"

**PARTS LIST FOR SDR10T SERIES  
DRILLS  
SERIAL "A"**



**T-Handle Assembly**

Fig. No.	Part No.	Description
1.	44100	Reducing Bushing
2.	21417	Spring
3.	30462	Screen
4.	06099	Screw (2)*
5.	66963	Screw
6.	35235	Handle Lever
7.	66880A	Cover
8.	54260	Valve Stem
9.	21211	Spring
10.	65289	O-Ring
11.	66878	Cap
12.	67402	T-Handle Assembly
13.	67532	Grip
14.	40072	Extension

**Complete Assemblies:**

67402 Assembly T-Handle Complete  
(Includes Figures 1-13)

\*Order Quantity As Required  
FURNISH CATALOG, SERIAL, AND MODEL  
NUMBER WHEN ORDERING PARTS



**⚠ WARNING**



Some dust created by power sanding, sawing, grinding, drilling, and other construction activities contains chemicals known to cause cancer, birth defects or other reproductive harm.

**⚠ ADVERTENCIA**



El polvo generado al lijar, aserrar, afilar, taladrar y realizar otras tareas de construcción contiene compuestos químicos que podrían provocar cáncer, malformaciones congénitas y otras alteraciones del aparato reproductor.



This pdf incorporates the following model numbers:

DR10T4N4, SDR10T7N4, SDR10T12N4, SDR10T16N4, SDR10T26N3, SDR10T26N4, SDR10T40N3,  
SDR10T