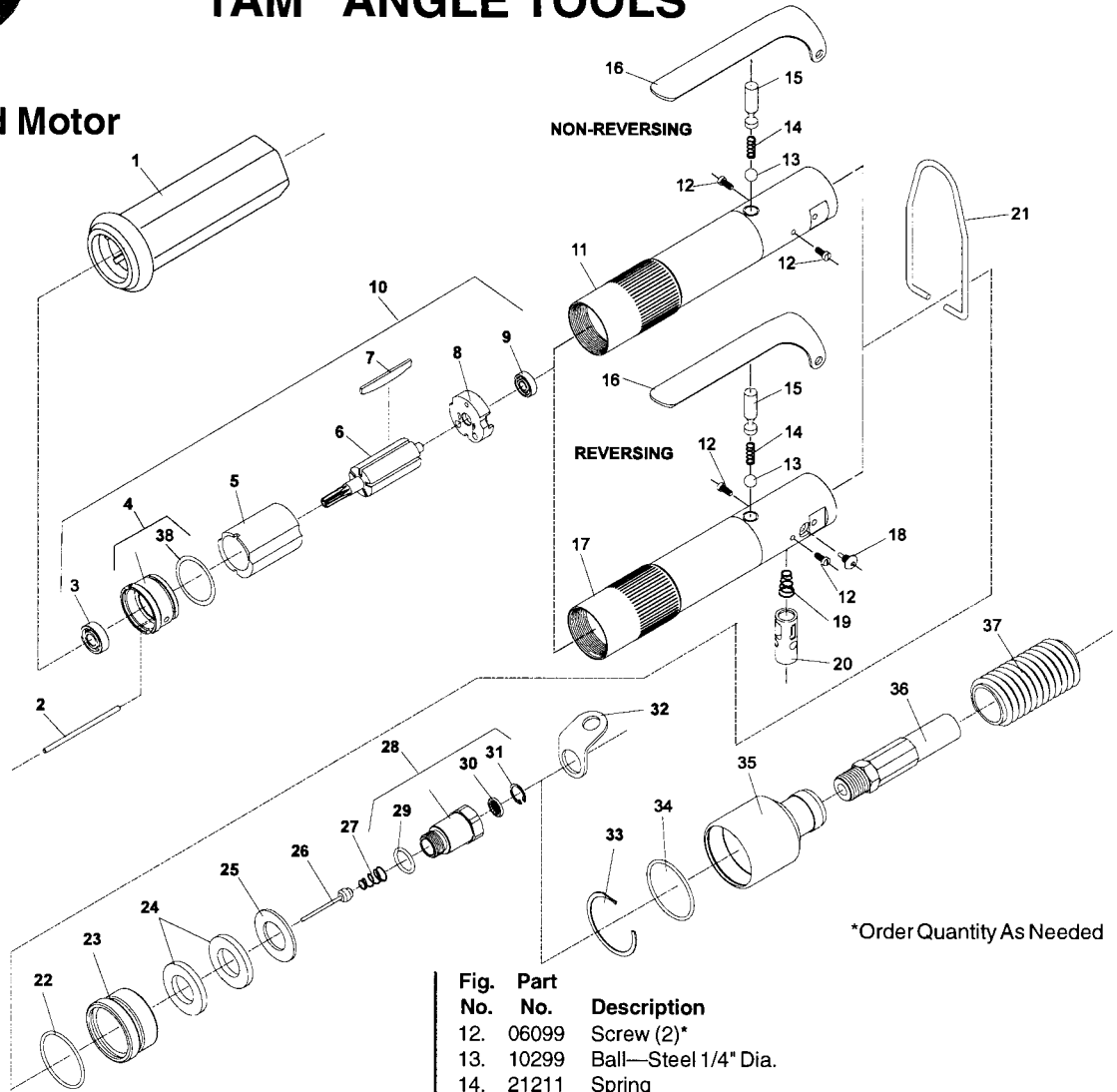




# PARTS LIST FOR NO. 1 SERIES "1AM" ANGLE TOOLS

Form Z299  
Date 7-95

## Housing And Motor



\*Order Quantity As Needed

Fig. No.	Part No.	Description
1.	66124	Sleeve—Housing (Long)(800, 1100, 1500 RPM)
	66193	Sleeve—Housing (Short)(2200, 2800, 3400, 4300 RPM)
2.	66132	Pin
3.	65998	Bearing—Ball
4.	65995	End Plate—Lower
5.	65994	Cylinder (800, 1100, 1500, 2200, 2800, 3400 RPM)
	66005	Cylinder (4300 RPM)
6.	65991	Rotor (6 Tooth)(2200 RPM)
	65992	Rotor (8 Tooth)(800, 1100, 1500, 2800 RPM)
	66084	Rotor (10 Tooth)(3400, 4300 RPM)
7.	66190	Vane (Set of 5)
8.	65997	End Plate—Upper
	66004	End Plate—Upper (4300 RPM)
9.	10255	Bearing—Ball
10.	65999	Motor (6 Tooth) (2200 RPM)
	66000	Motor (8 Tooth) (800, 1100, 1500, 2800 RPM)
	66146	Motor (10 Tooth) (3400 RPM)
	66085	Motor (10 Tooth) (4300 RPM)
11.	66220	Ass'y—Housing (Non-Reversing) (800, 1100, 1500 RPM)
	66219	Ass'y—Housing (Non-Reversing) (2200, 2800, 3400, 4300 RPM)

Fig. No.	Part No.	Description
12.	06099	Screw (2)*
13.	10299	Ball—Steel 1/4" Dia.
14.	21211	Spring
15.	66020	Plunger
16.	35235	Lever
17.	66222	Ass'y—Housing (Reversing)(800, 1100, 1500 RPM) (Includes Fig. 18)
	66221	Ass'y—Housing (Reversing) (2200, 2800, 3400, 4300 RPM) (Includes Fig. 18)
18.	66032	Screw - Retaining
19.	21441	Spring
20.	66021	Valve
21.	66036	Bail
22.	04210	Ring—"O"
23.	66018	Housing—Silencer
24.	66191	Washer—Felt (2)*
25.	66017	Screen—Diffuser
26.	66035	Ass'y—Valve
27.	21441	Spring
28.	66016	Adapter—Inlet
29.	14312	Ring—"O"
30.	30463	Screen
31.	21541	Ring—Retaining
32.	35196	Bail
33.	66034	Ring—Retaining
34.	14371	Ring—"O"
35.	66033	Adapter—Exhaust
36.	1359	Hose—Air
37.	65723	Hose—Exhaust
38.	14391	Ring—"O"

Remote Exhaust

**SIoux**  
**TOOLS INC.**

2901 FLOYD BOULEVARD ■ PO BOX 507 ■ SIOUX CITY, IOWA 51102-0507 ■

Printed In U.S.A.

## Double Reduction (800, 1100, 1500 RPM)

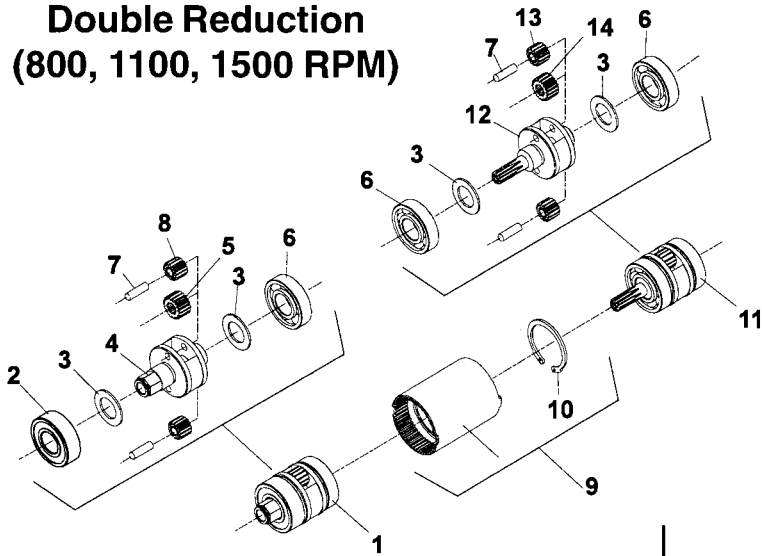


Fig. No.	Part No.	Description
1.	43298	Ass'y—Planetary (800 RPM)
	43301	Ass'y—Planetary (1100 RPM)
	66089	Ass'y—Planetary (1500 RPM)
	2.	10246
3.	25680	Washer (4)*
4.	44455	Carrier—Gear (800 RPM)
	44456	Carrier—Gear (1100 RPM)
5.	66081	Carrier—Gear (1500 RPM)
	66077	Gear—Pinion (1500 RPM)
6.	10241	Bearing—Ball (3)*
7.	30453	Pin (4)*
8.	19195	Gear—Idler (800 RPM)(2)*
	19191	Gear—Idler (1100 RPM)(2)*
	66078	Gear—Idler (1500 RPM)(2)*
9.	19190	Gear—Ring
10.	21537	Ring—Retaining
	11.	66087
66088		1st Ass'y—Planetary (1100 RPM)
12.	66079	Carrier—Gear (800, 1500 RPM)
	66080	Carrier—Gear (1100 RPM)
13.	66078	Gear—Idler (800, 1100 1500 RPM)(2)*
	14.	66077

\*Order Quantity As Needed

## Angle Attachment Direct Clutch (Screwdriver and Nutrunner)

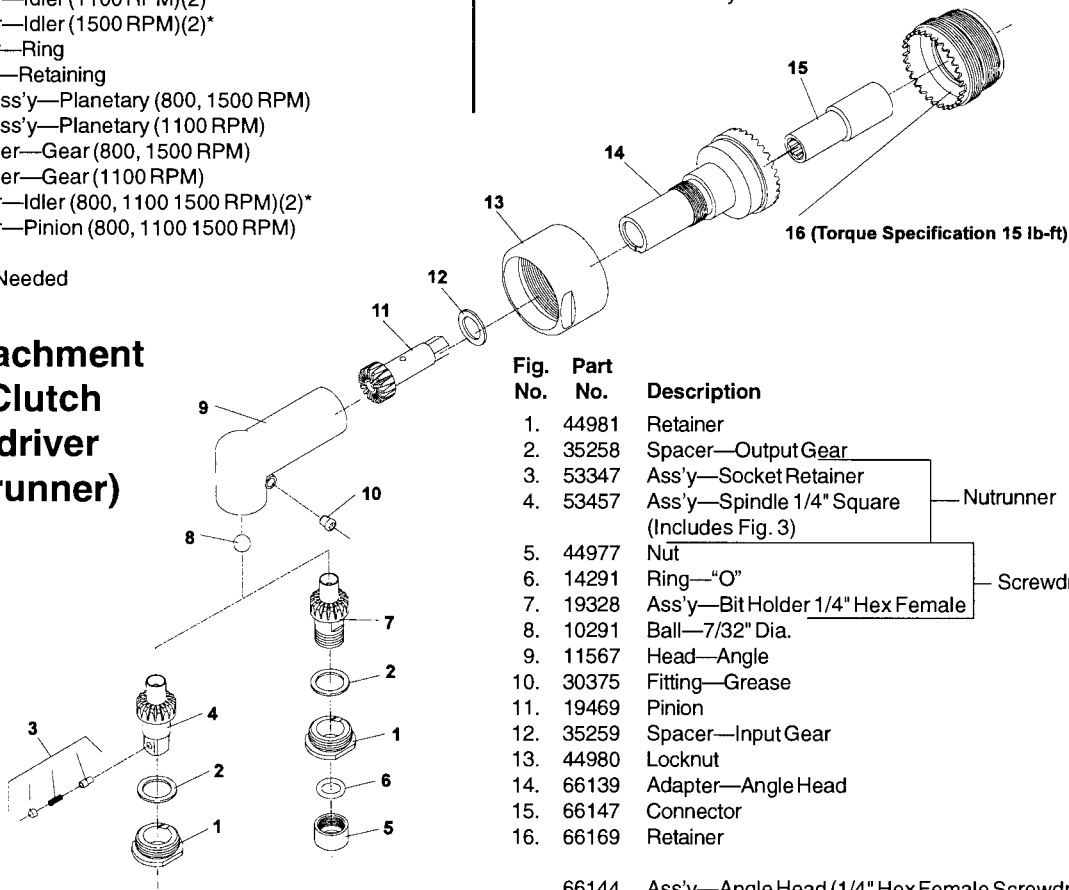


Fig. No.	Part No.	Description
1.	44981	Retainer
2.	35258	Spacer—Output Gear
3.	53347	Ass'y—Socket Retainer
4.	53457	Ass'y—Spindle 1/4" Square (Includes Fig. 3)
5.	44977	Nut
6.	14291	Ring—"O"
7.	19328	Ass'y—Bit Holder 1/4" Hex Female
8.	10291	Ball—7/32" Dia.
9.	11567	Head—Angle
10.	30375	Fitting—Grease
11.	19469	Pinion
12.	35259	Spacer—Input Gear
13.	44980	Locknut
14.	66139	Adapter—Angle Head
15.	66147	Connector
16.	66169	Retainer

66144 Ass'y—Angle Head (1/4" Hex Female Screwdriver)  
(Includes Fig's. 1, 2, 5 thru 14)

66145 Ass'y—Angle Head (1/4" Hex Square Nutrunner)  
(Includes Fig's. 1 thru 4, 8 thru 14)

## Single Reduction (2200, 2800, 3400, 4300 RPM)

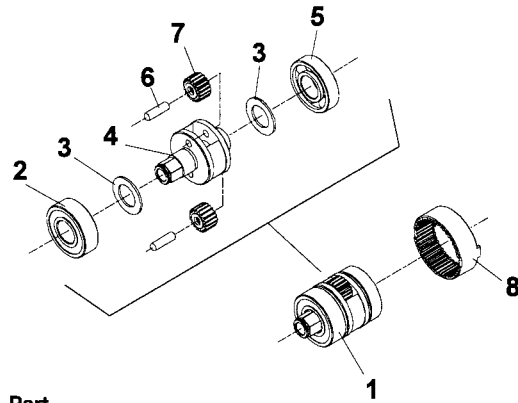


Fig. No.	Part No.	Description
1.	43713	Ass'y—Planetary (2200 RPM)
	43298	Ass'y—Planetary (2800 RPM)
	66090	Ass'y—Planetary (3400, 4300 RPM)
2.	10246	Bearing—Ball
3.	25680	Washer (2)*
4.	44878	Carrier—Gear (2200 RPM)
	44455	Carrier—Gear (2800 RPM)
5.	66083	Carrier—Gear (3400, 4300 RPM)
	10241	Bearing—Ball
6.	30453	Pin (2)*
	7.	19212
19195		Gear—Idler (2800 RPM)(2)*
66082		Gear—Idler (3400, 4300 RPM)(2)*
8.	19189	Gear—Ring

\*Order Quantity As Needed

# Angle Attachment Adjustable Clutch (Screwdriver and Nutrunner)

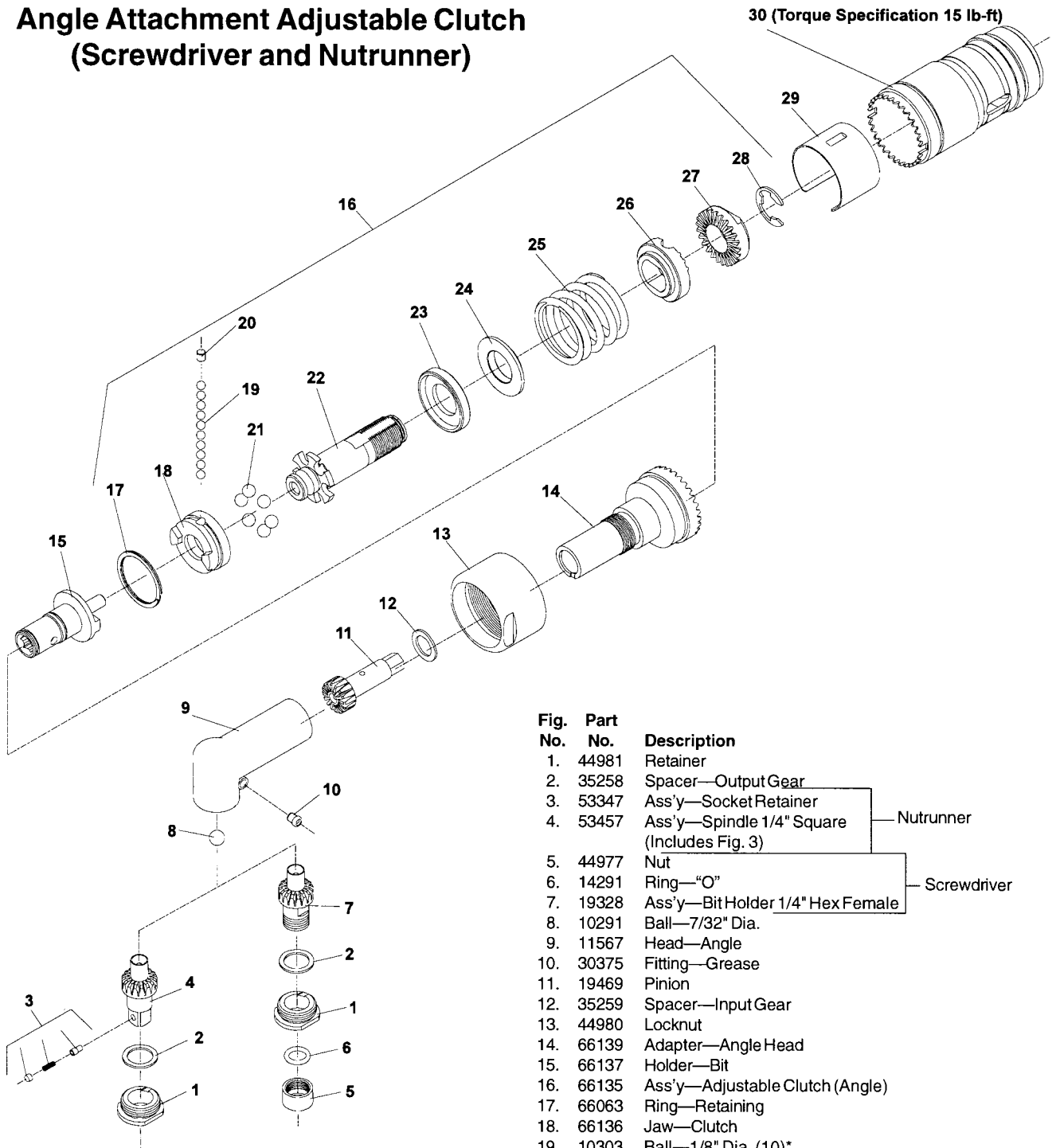


Fig. No.	Part No.	Description	
1.	44981	Retainer	
2.	35258	Spacer—Output Gear	
3.	53347	Ass'y—Socket Retainer	Nutrunner
4.	53457	Ass'y—Spindle 1/4" Square (Includes Fig. 3)	
5.	44977	Nut	Screwdriver
6.	14291	Ring—"O"	
7.	19328	Ass'y—Bit Holder 1/4" Hex Female	
8.	10291	Ball—7/32" Dia.	
9.	11567	Head—Angle	
10.	30375	Fitting—Grease	
11.	19469	Pinion	
12.	35259	Spacer—Input Gear	
13.	44980	Locknut	
14.	66139	Adapter—Angle Head	
15.	66137	Holder—Bit	
16.	66135	Ass'y—Adjustable Clutch (Angle)	
17.	66063	Ring—Retaining	
18.	66136	Jaw—Clutch	
19.	10303	Ball—1/8" Dia. (10)*	
20.	66055	Plug	
21.	10306	Ball—3/16" Dia. (6)*	
22.	66134	Spindle—Clutch	
23.	66054	Race—Thrust	
24.	66053	Washer—Thrust	
25.	66048	Spring (Silver)(800, 1100 RPM)(30-50 in-lb)	
	66049	Spring (Blue)(1500 RPM)(15-35 in-lb)	
	66050	Spring (Green)(2800 RPM)(2-20 in-lb)	
26.	66047	Washer—Adjustment	
27.	66046	Nut—Adjustment	
28.	21493	Ring—Retaining	
29.	66058	Cover	
30.	66138	Retainer (Adjustable Clutch)	

### Items Not Shown:

2366 Wrench—Clutch Adjustment

\*Order Quantity As Needed



## Angle Attachment Drill

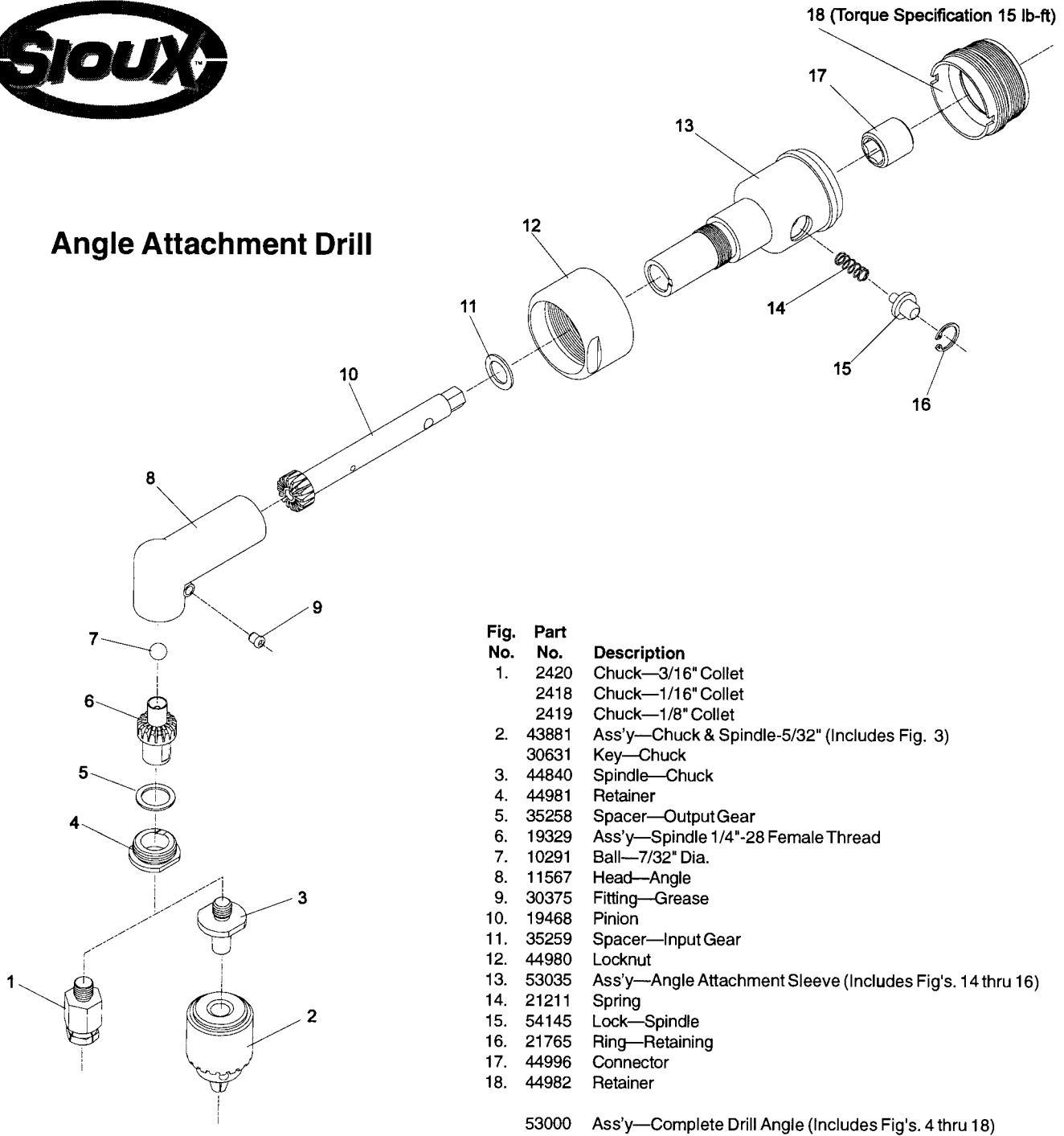


Fig. No.	Part No.	Description
1.	2420	Chuck—3/16" Collet
	2418	Chuck—1/16" Collet
	2419	Chuck—1/8" Collet
2.	43881	Ass'y—Chuck & Spindle-5/32" (Includes Fig. 3)
	30631	Key—Chuck
3.	44840	Spindle—Chuck
4.	44981	Retainer
5.	35258	Spacer—Output Gear
6.	19329	Ass'y—Spindle 1/4"-28 Female Thread
7.	10291	Ball—7/32" Dia.
8.	11567	Head—Angle
9.	30375	Fitting—Grease
10.	19468	Pinion
11.	35259	Spacer—Input Gear
12.	44980	Locknut
13.	53035	Ass'y—Angle Attachment Sleeve (Includes Fig's. 14 thru 16)
	21211	Spring
	54145	Lock—Spindle
	21765	Ring—Retaining
17.	44996	Connector
18.	44982	Retainer
53000		Ass'y—Complete Drill Angle (Includes Fig's. 4 thru 18)

# SIoux TOOLS INC.

2901 FLOYD BOULEVARD ■ PO BOX 507 ■ SIOUX CITY, IOWA 51102-0507 ■

Printed In U.S.A.

This pdf incorporates the following model numbers:

1AM1141, 1AM1151, 1AM1441, 1AM1451, 1AM1452, 1AM1541, 1AM1542, 1AM1550, 1AM1551,  
1AM1552, 1AM1611, 1AM2101, 1AM2102, 1AM2105, 1AM2106, 1AM2201, 1AM2205, 1AML1451,  
1AML1541, 1AML1551