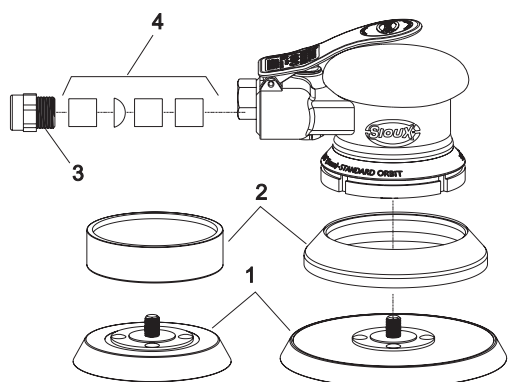




SIoux RO2512 SANDER SERIES VACUUM CONVERSION KIT INSTRUCTIONS

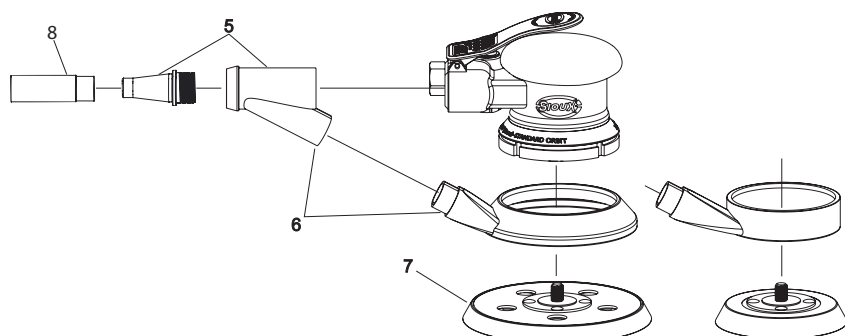
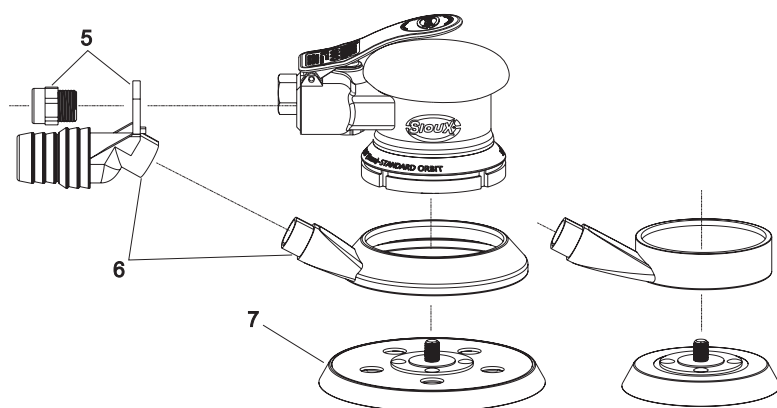


Preparing the Sander for Conversion

1. Remove pad using RO25-045 wrench (not shown).
2. Remove the shroud.
3. Using a 19mm wrench, remove the RO25-037 exhaust sleeve.

Converting to Remote Vacuum

4. Keep in place the RO25-046 muffer pads and RO25-047 muffer screen.
5. Attach the RO25-040 vacuum adapter to the sander housing with the RO25-037 exhaust sleeve.
6. Attach the vacuum shroud to the RO25-040 vacuum adapter and then to the lock ring.
7. Using the RO25-045 wrench, attach the vacuum pad to the sander.



Converting to Venturi Vacuum

4. Remove the RO25-046 muffer pads and RO25-047 muffer screen.
5. Attach the RO25-043 venturi vacuum adapter to the sander housing with the 79115 Vacuum Venturi and tighten with a 1/4" hex key.
6. Attach the vacuum shroud to the RO25-043 venturi vacuum adapter and then to the lock ring.
7. Using the RO25-045 wrench, attach the vacuum pad to the sander.
8. Press the 79116 exit venturi into the RO25-043 venturi vacuum adapter. If tight, twist while pressing.
9. Attach RO25-041 vacuum hose (not shown) to RO25-043 venturi vacuum adapter.
10. Attach RO25-042 dust bag (not shown) to end of RO25-041 vacuum hose by tying laces around hose ridges.



This pdf incorporates the following model numbers:

RO25-56RVK, RO25-56VVK, RO2512