



INSTRUCTIONS & PARTS LIST FOR NO. 658, 660, 690, 697 SIOUX AIR RANDOM ORBITAL SANDER INCLUDES B, V, VV, & X SUFFIXES (SERIAL "E")

Form Z262A
Date 9-99/B
Page 1 of 4

CAUTION

Do not at any time attempt to operate this tool without shroud and pad in place.

OPERATION

The sander is designed to operate on 90 p.s.i. air pressure. An air regulator is recommended if pressures are higher than 90 p.s.i. A filter is strongly recommended to provide clean air for long life of the sander.

Lubricate the sander by adding 8-10 drops of air motor oil into the air inlet each day before using.

HOSE AND HOSE CONNECTIONS

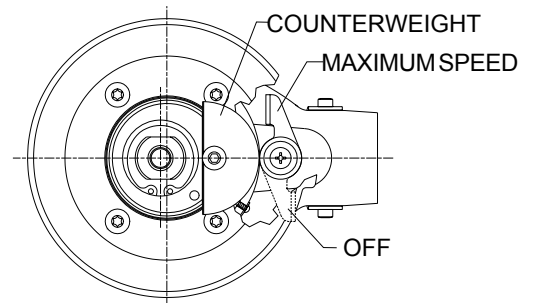
Hoses should not be smaller than 3/8" I.D. with 1/4" pipe thread fittings.

LUBRICATION

As mentioned above, 8-10 drops of Sioux air motor oil, Cat. No. 288, should be added to the air intake before using each day. This will help protect the motor parts from rusting due to water in the air lines and also lubricate the parts for longer life. Caution should be taken not to add too much oil as it will blow through the tool and may get on the surface being sanded. An air line oiler will increase the life of the tool. The setting should be about 1 drop of oil per 1-2 minutes of use.

SPEED CONTROL AND SHUT OFF

A speed control and air shut off is located on the bottom of the housing. This control is adjusted as shown in the diagram. This is to control the speed of the tool for various sanding operations and to control excessive air pressure. The control is also used to shut off the air to the tool to safely change sand paper on the pad.



COUNTER BALANCE

The units are equipped with different counterweights to decrease the vibration. Following is a chart of pad size and counterweight.

PAD SIZE	APPROX. PADWEIGHT	COUNTERWEIGHT
5"	90-100 Grams	64141 W/Lockout
6"	115-125 Grams	64148 W/Lockout
5"	90-100 Grams	64140 WO/Lockout
6"	115-125 Grams	64147 WO/Lockout

LOSS OF POWER & SPEED

The air motor is probably dirty and sticky. Flush out by adding very light weight oil to the air intake and run unit. Do this several times until it runs properly. Then add 8-10 drops of Sioux air motor oil, Cat. No. 288, in the air intake and run tool to lubricate.

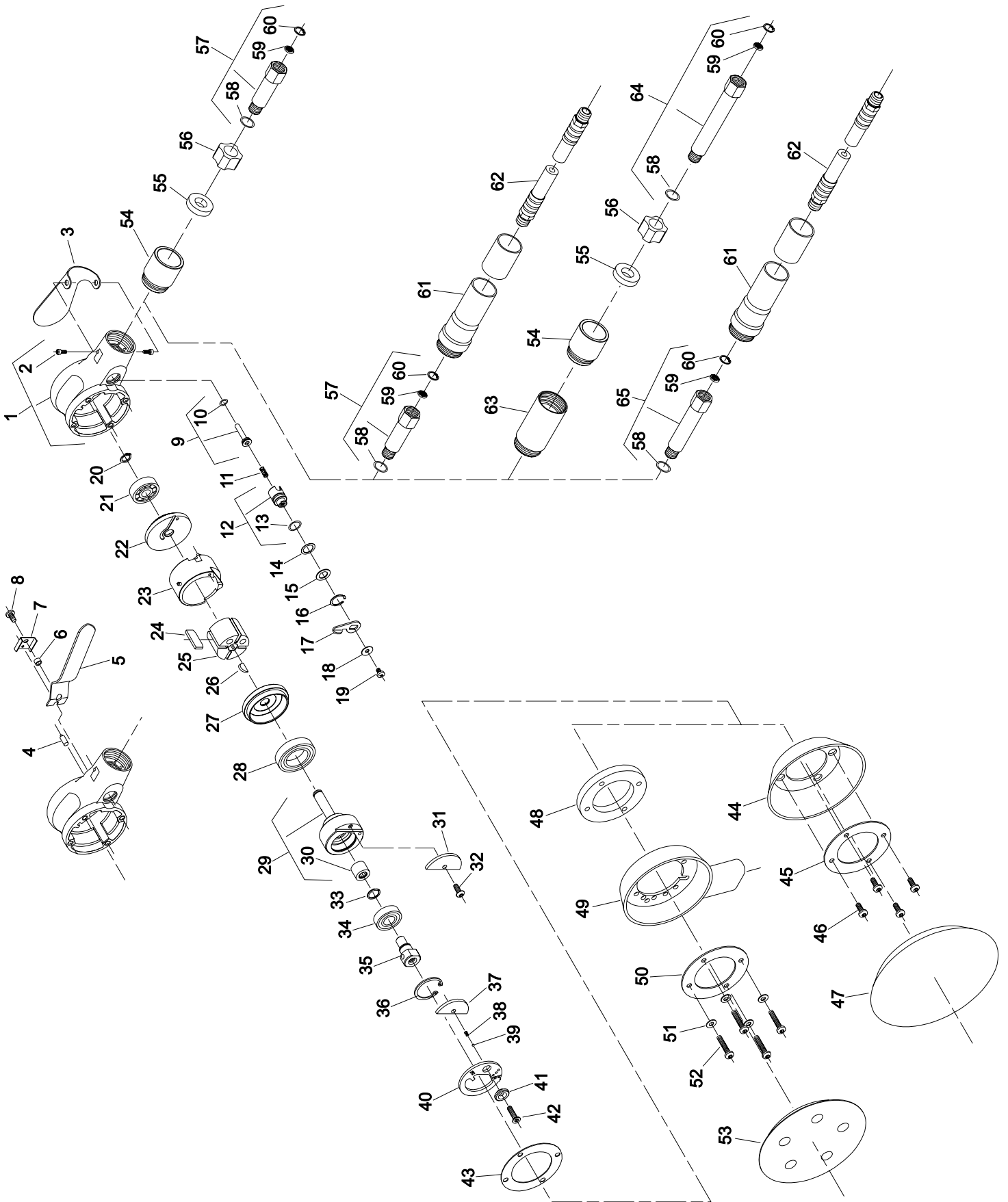
WARNING

Continued exposure to vibration may cause injury to your hands or arms.

**SIOUX™
TOOLS INC.**

2901 FLOYD BOULEVARD ■ PO BOX 507 ■ SIOUX CITY, IOWA 51102-0507 USA ■

Printed In U.S.A.



INSTRUCTIONS & PARTS LIST FOR NO. 658, 660, 690, 697 SIOUX AIR RANDOM ORBITAL SANDER INCLUDES B, V, VV, & X SUFFIXES (SERIAL "E")

Fig. No.	Part No.	Description	Fig. No.	Part No.	Description
1.	66339	Housing [Also Includes (2*) Fig. 2, (4*) Fig. 46 & (4*) Fig. 52]	35.	64133	Spindle—Pad
2.	06205	Screw—Fillister Hd. #6-32 x 5/16 Taptite (2)*	36.	21513	Ring—Retaining
3.	35633	Lever—Valve (Palm Grip)	37.	64141	Counterweight (W/Lockout)(5" Pad)
4.	54130	Pin		64148	Counterweight (W/Lockout)(6" Pad)
5.	35842	Lever—Valve	38.	21223	Spring
6.	64143	Sleeve	39.	10303	Ball—Steel (1/8" Dia.)
7.	35851	Cover	40.	35845	Ring—Lock
8.	07225	Screw—Phil. Pan Hd. #10-32 x 3/8	41.	64136	Knob
9.	63575	Stem—Valve (658, 660 Units)	42.	07263	Screw—Flat Hd. Cap #10-24 x 5/8
	66637	Stem—Valve (690, 697 Units)	43.	05038	Gasket (2 required on V units)
10.	65289	Ring—"O"	44.	66250	Shroud—Rubber
11.	21211	Spring	45.	65863	Retainer
12.	64132	Control—Output	46.	67843	Screw—Pan Hd. #10-32 x 5/8 (Taptite)(4)*
13.	14312	Ring—"O" (1/16 x 7/16 x 9/16)	47.	695	5" PSA Tapered Edge Pad
14.	41338	Washer—Wave		696	6" PSA Tapered Edge Pad
15.	25680	Washer	48.	35846	Retainer—Motor
16.	21826	Ring—Retaining	49.	04056	Shroud—Vacuum
17.	35634	Lever—Output Control	50.	35847	Retainer—Motor
18.	41336	Washer—Belleville	51.	35234	Washer (4)*
19.	06672	Screw—Phil. Rd. Hd. #8-32 x 1/4"	52.	07251	Screw—Pan Hd. #10-32 x 1 (Taptite)(4)*
20.	21545	Ring—Retaining	53.	585V	5" Backing Pad, Vacuum Type
21.	10113	Bearing—Ball	53.	583V	6" Backing Pad, Vacuum Type
22.	64212	Plate—Upper End	54.	64129	Housing—Muffler
23.	64125	Cylinder	55.	05049	Pad—Silencer
24.	33597	Vane—Rotor (Set of 4)	56.	04328	Spacer
25.	64122	Rotor	57.	64131	Adapter—Intake
26.	30001	Key—Woodruff	58.	14309	Ring—"O" (1/16 x 1/2 x 5/8)
27.	65572	Plate—Lower End	59.	30463	Screen
28.	65573	Bearing—Ball	60.	21541	Ring—Retainer
29.	63576	Spindle—Rotor	61.	63561	Ass'y—Exhaust Tube
30.	10005	Bearing—Needle	62.	1376	Ass'y—Air Hose
31.	64140	Counterweight (WO/Lockout)(5" Pad)	63.	64130	Handle
	64147	Counterweight (WO/Lockout)(6" Pad)	64.	64124	Adapter—Intake (Long)
32.	07097	Screw—Button Hd. Soc. #10-24 x 1/2	65.	64137	Adapter—Intake (Remote Exhaust)
33.	21751	Ring—Retaining			
34.	66350	Bearing—Ball (All units except V & VV)			
	10228	Bearing—Ball (All V & VV units)			

Not Shown:
30605 Wrench 5/8

*Order Quantity As Required

**FURNISH CATALOG, SERIAL, AND MODEL NUMBER
WHEN ORDERING PARTS**



INSTRUCTIONS & PARTS LIST FOR NO. 690VV, 697VV (SERIAL "D")

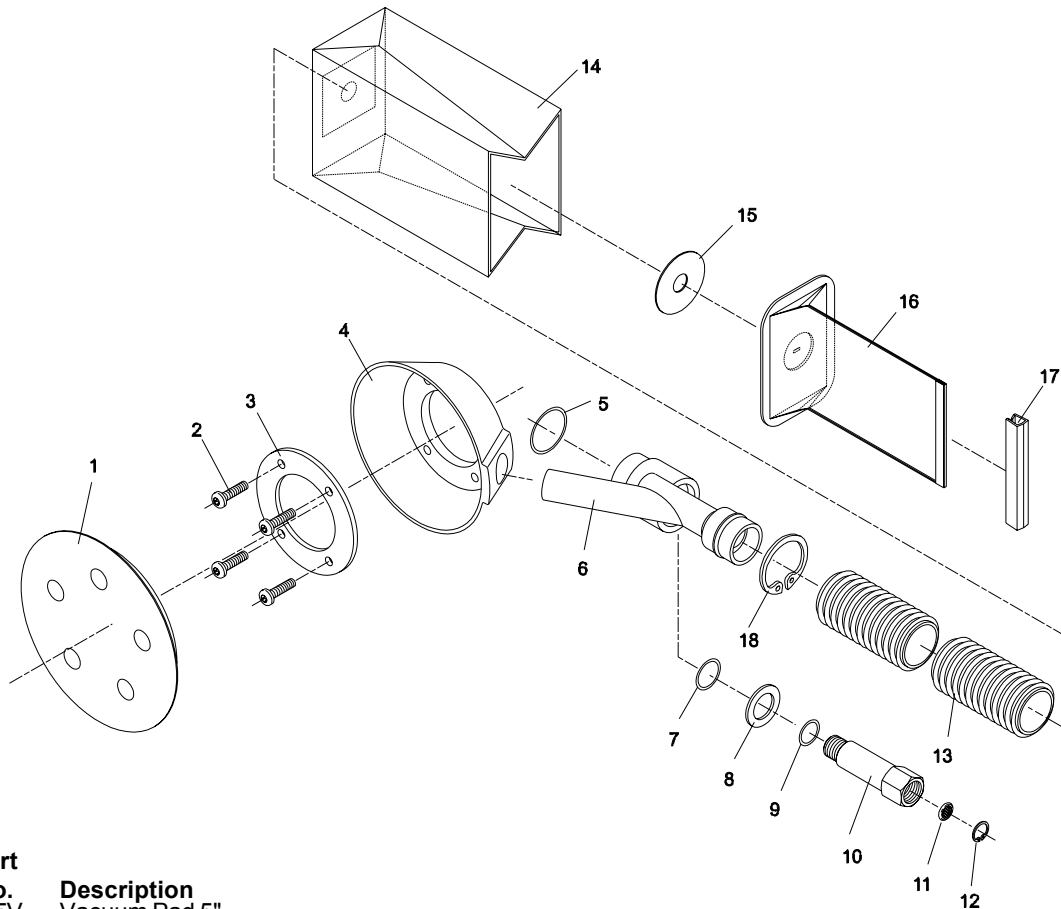


Fig. No.	Part No.	Description
1.	585V	Vacuum Pad 5"
	583V	Vacuum Pad 6"
2.	07248	Screw—Pan Head #10-32 X 3/4 (Taptite)(4)*
3.	65863	Retainer—Motor
4.	65734	Shroud—Flexible
5.	14334	Ring—"O"(1/16 X 1 X 1-1/8)
6.	65742	Extractor
7.	14281	Ring—"O"(1/16 X 5/8 X 3/4)
8.	25206	Washer
9.	14309	Ring—"O"(1/16 X 1/2 X 5/8)
10.	64131	Adaptor—Intake (Includes Fig's. 12, 14 & 15)
11.	30463	Screen
12.	21541	Ring—Retaining
13.	853	Hose—Dust Collection
14.	911A	Ass'y—Disposable Dust Bag (Includes Fig's. 14, 15, 17, & [1 Only] Fig. 16)
	65768	Bag—Outer
15.	65770	Washer
16.	912	Bag—Filter (Quantity of 5)
17.	65771	Clip
18.	21799	Ring—Retaining
**	65505	Cable Ties (Set of 4) (Not Shown)

Note:
To ensure maximum dust pick-up, periodic cleaning of extractor & filter bag replacement is required.

** Cable ties used to secure supply hose to vacuum hose if desired.

SIoux[™]
TOOLS INC.

*Order Quantity As Required

2901 FLOYD BOULEVARD ■ PO BOX 507 ■ SIOUX CITY, IOWA 51102-0507 USA ■

Printed In U.S.A.

This pdf incorporates the following model numbers:

658, 660, 690, 697