



PARTS LIST FOR
No. 1290 AIR SANDER (5000 R.P.M.)
No. 1291 AIR GRINDER (5000 R.P.M.)
No. 1292 AIR POLISHER (3000 R.P.M.)
No. 1296 AIR POLISHER (2000 R.P.M.)
No. 1297 AIR SANDER (3000 R.P.M.)

Form A367B
 Date 2003 November 19/B
 Page 1 of 2

(Includes Remote Exhaust)
Serial No.'s Starting With "B"

| Fig. No. | Part No. | Description | Fig. No. | Part No. | Description |
|-----------------|-----------------|---|-----------------|-----------------|--|
| 1. | 44100 | Bushing—Reducing | | 21524 | Ring—Retainer (1292, 1296, 1297) |
| 2. | 21417 | Spring | 32. | 54728 | Key—Gear Case |
| 3. | 30462* | Screen | 34. | 19240 | Case—Gear |
| 4. | 54306 | Handle | 35. | 04239 | Ring—"O" |
| 5. | 41217 | Spring | 36. | 04223 | Ring—"O" |
| 6. | 04205 | Valve | 37. | 53525 | Ass'y—Air Deflector (Standard Exhaust) |
| 7. | 54308 | Stem—Valve | | 63166 | Ass'y—Remote Exhaust |
| 8. | 12431 | Housing | 38. | 14124 | Liner—Air Deflector (Standard Exhaust) |
| 9. | 53373 | Ass'y—Lever & Cam | 39. | 44798 | Sleeve—Lock |
| 10. | 21491 | Ring—Retaining | 40. | 10244 | Bearing—Ball |
| 11. | 21534 | Ring—Retaining | 41. | 54727 | Spacer |
| 12. | 10241 | Bearing—Ball | | 35320 | Wrench |
| 13. | 14794 | Gasket | 43. | 14171 | Handle—Auxiliary |
| 14. | 13227 | Plate—Rear End | 45. | 542 | Retainer—Backing Disc (1290, 1297) |
| 15. | 44869 | Cylinder (1290, 1291, 1292, 1296, 1297) | 46. | 524 | Nut—Lock (1290, 1297) |
| 16. | 43888 | Ass'y—Rotor Vanes (Set of 5) | 47. | 544 | Ass'y—Sanding Disc Holder (1290, 1297) |
| 17. | 54676 | Rotor (1290, 1291) | 48. | 548 | Pad—Disc (1290, 1297V) |
| | 54675 | Rotor (1292, 1297) | 49. | 08775 | Screw (5/16")(2)*(1291) |
| | 44870 | Rotor (1296) | | 09770 | Washer—Lock 5/16" (2)*(1291) |
| 18. | 13226 | Plate—Front End | 51. | 2336 | Guard—7" (1291) |
| 19. | 10221 | Bearing—Ball | 52. | 25894 | Washer (2)*(1291) |
| 20. | 41236 | Washer—Wave | 53. | 512 | Nut—Lock (1291) |
| 21. | 10203 | Bearing—Ball | 54. | 30110 | Wrench—Allen (1291) |
| 22. | 25976 | Washer | 55. | 510 | Pad—Backing (1291) |
| 23. | 30369 | Pin—Torrington (2)*(1290, 1291) | 56. | 524 | Nut—Lock (1292, 1296) |
| | 30467 | Pin—Torrington (2)*(1292, 1296, 1297) | 57. | 846-C | Ass'y—Polishing Disc (1292, 1296) |
| 24. | 19206 | Gear—Pinion (1290, 1291) | 58. | 21804 | Ring—Retaining |
| 25. | 19325 | Ass'y—Gear (Bearing (2)*(1290, 1291) | | | |
| | 19324 | Ass'y—Gear & Bearing (2)*(1292, 1297) | | | |
| | 19327 | Ass'y—Gear & Bearing (2)*(1296) | | | |
| 27. | 30356 | Fitting—Grease | | | |
| 28. | 65825 | Spindle (1290, 1291) | | | |
| | 54733 | Spindle (1292, 1297) | | | |
| | 54729 | Spindle (1296) | | | |
| 29. | 35260 | Washer | | | |
| 30. | 21753 | Ring—Retainer (1290, 1291) | | | |

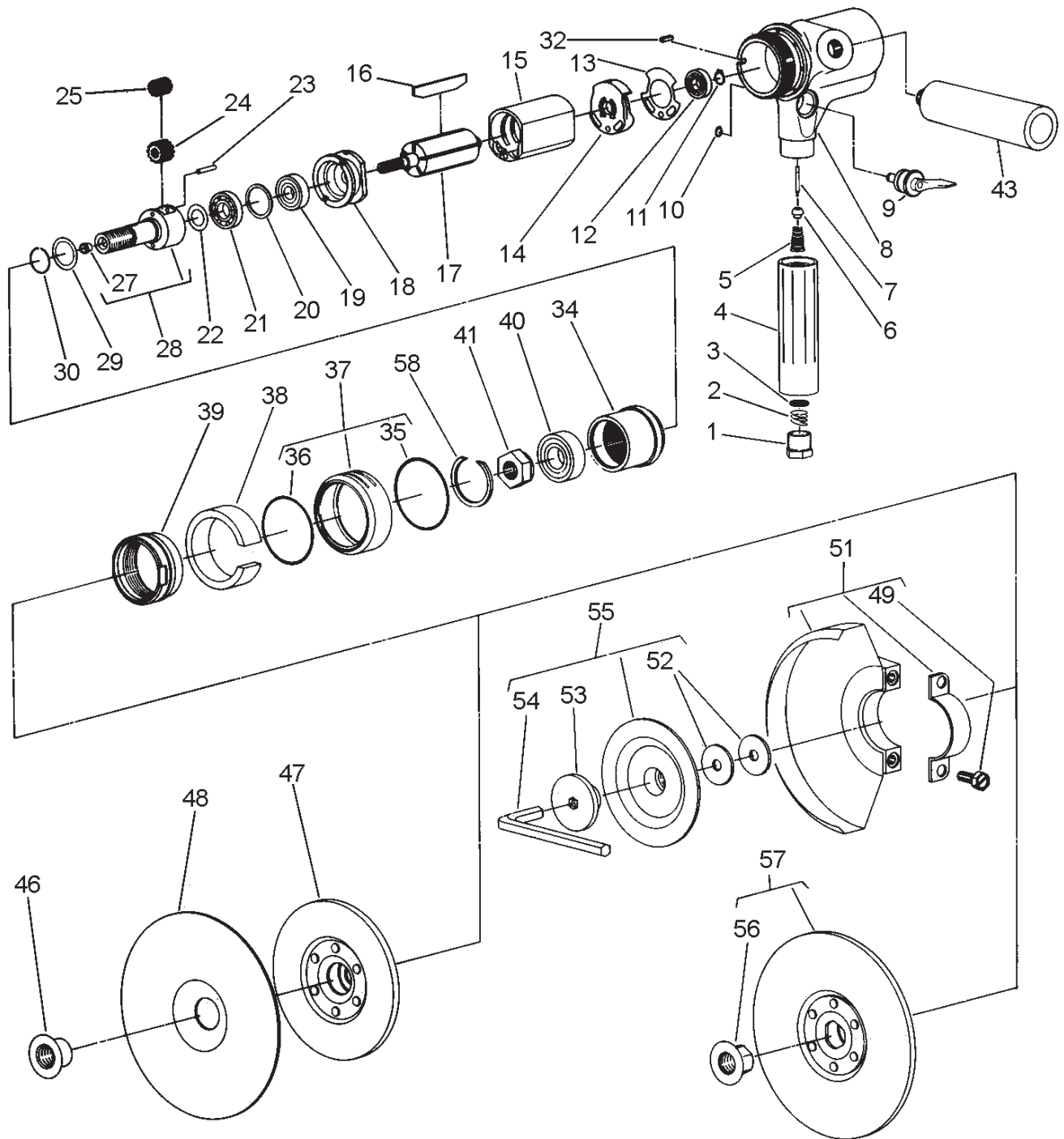
*Order Quantity As Required

FURNISH CATALOG, SERIAL, AND MODEL NUMBER WHEN ORDERING PARTS



250 SNAP-ON DRIVE ■ PO BOX 1596 ■ MURPHY, NC 28906 ■ USA ■

Printed In U.S.A.



**SIoux
TOOLS INC.**

250 SNAP-ON DRIVE ■ PO BOX 1596 ■ MURPHY, NC 28906 ■ USA ■

Printed In U.S.A.

This pdf incorporates the following model numbers:

1290, 1291, 1292, 1296, 1297