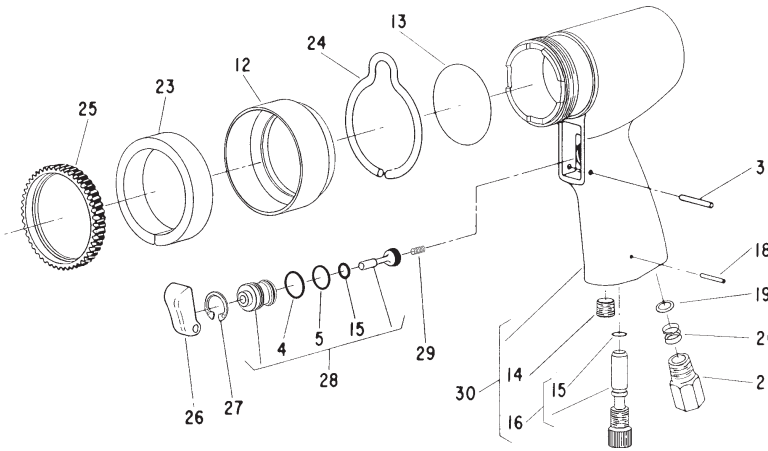




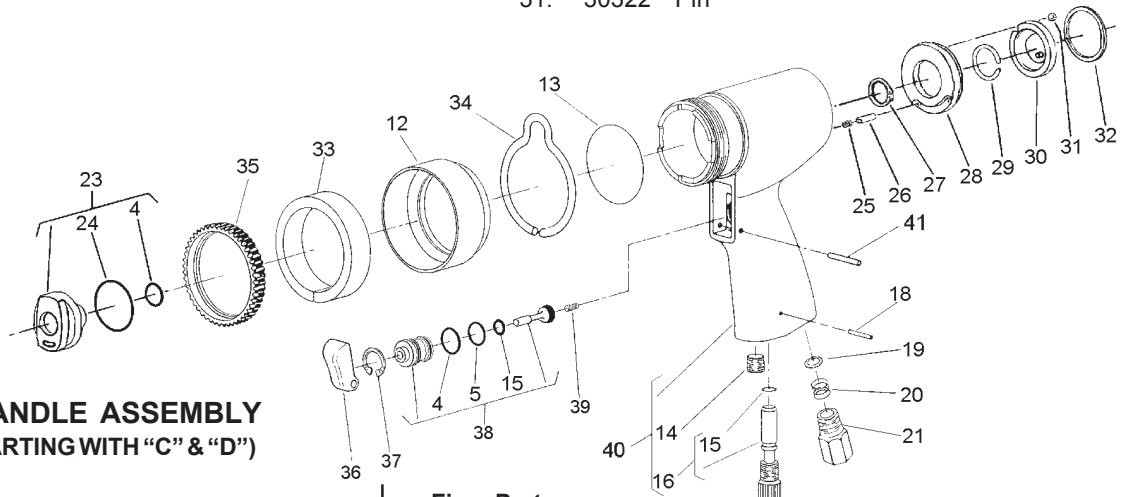
PARTS LIST FOR NO. 3 SERIES PISTOL AND "T" HANDLE DRILLS

Form A277D
Date 2008July11/C
Page 1 of 8



NON-REVERSING HANDLE ASSEMBLY
(SERIAL NO.'S. STARTING WITH "B" & "D")

Fig. No.	Part No.	Description
4.	14309	Ring—"O"
5.	14312	Ring—"O"
12.	54156	Deflector
13.	04206	Ring—"O"
14.	30246	Plug—Oil
15.	14291	Ring—"O" (2)*
16.	53029	Ass'y—Regulator & "O" Ring
18.	30625	Pin—Groove
19.	30463	Screen
20.	41220	Spring
21.	30249	Connection—Air Hose
23.	14100	Liner—Deflector
24.	41238	Bail
25.	54182B	Diffuser—Air
26.	12308B	Trigger
27.	21775	Ring—Retaining
28.	53327	Ass'y—Valve
29.	21211B	Spring
30.	53328	Housing (Includes Figs. 14-21, 26-29, 31)
	53336	Housing (Includes Figs. 14-16, 18)
31.	30322	Pin



REVERSING HANDLE ASSEMBLY
(SERIAL NO.'S. STARTING WITH "C" & "D")

Fig. No.	Part No.	Description
4.	14309	Ring—"O" (2)*
5.	14312	Ring—"O"
12.	54156	Deflector
13.	04206	Ring—"O"
14.	30246	Plug—Oil
15.	14291	Ring—"O" (3)*
16.	53029	Ass'y—Regulator & "O" Ring
18.	30625	Pin—Groove
19.	30463	Screen
20.	41220	Spring
21.	30249	Connection—Air Hose
23.	53051	Plate—Valve
24.	04222	Ring—"O"
25.	21223	Spring—Friction
26.	30062	Pin

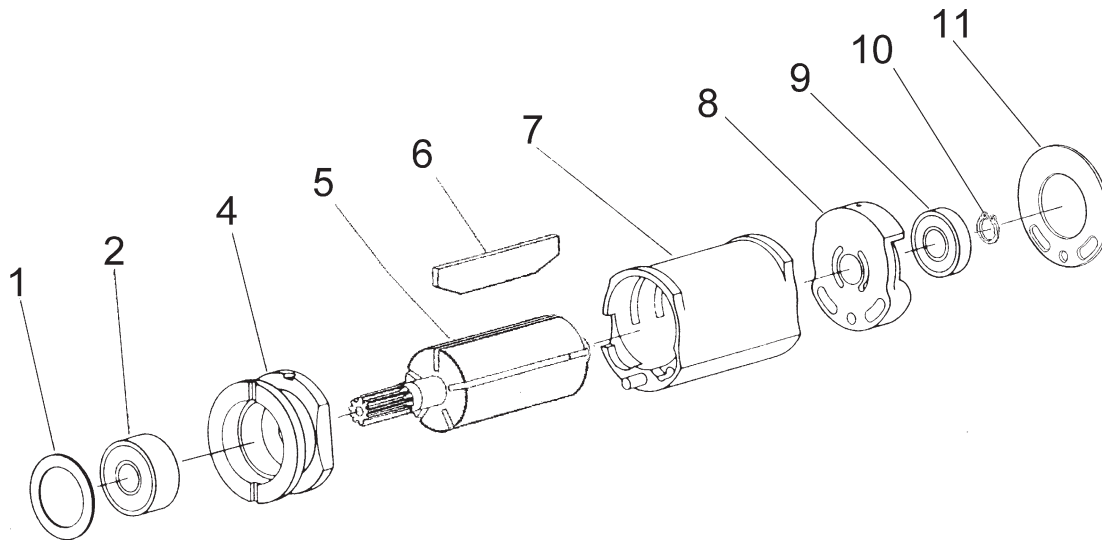
Fig. No.	Part No.	Description
27.	21482	Ring—Retaining
28.	54462	Body—Actuator
29.	21757	Ring—Retaining
30.	54461	Insert
31.	10306	Ball—Steel
32.	21785	Ring—Retaining
33.	14100	Liner—Deflector
34.	41238	Bail
35.	54182	Diffuser—Air
36.	12308B	Trigger
37.	21775	Ring—Retaining
38.	53327	Ass'y—Valve
39.	21211B	Spring
40.	53329	Housing (Includes Figs. 14-32, 36-39, 41)
	53337	Housing (Includes Figs. 14-16, 18, 23, 25-32)
41.	30322	Pin

SIoux TOOLS INC.

FURNISH CATALOG, SERIAL, AND MODEL NUMBER
WHEN ORDERING PARTS

*Order Quantity As Required

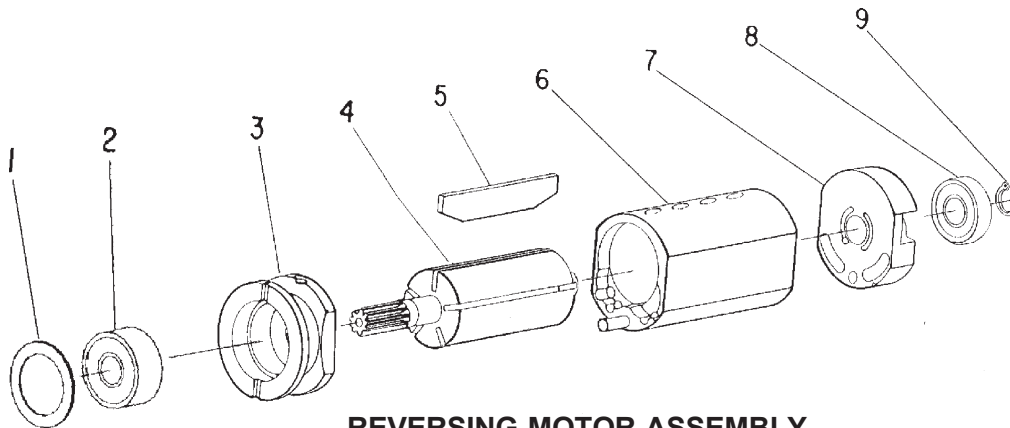
PARTS LIST FOR NO. 3 SERIES PISTOL AND "T" HANDLE DRILLS



NON-REVERSING MOTOR ASSEMBLY

Fig. No.	Part No.	Description
1.	35227	Washer
2.	10221	Bearing—Ball
4.	13226	Plate—Front End (Includes Fig. 2)
5.	44870	Rotor (2150 RPM)
	54675	Rotor (360, 2650 RPM)
	54676	Rotor (650, 1000, 1400 RPM)
6.	43888	Ass'y—Rotor Vane (Set of 5)
7.	44869	Cylinder
8.	13227	Plate—Rear End

Fig. No.	Part No.	Description
9.	10241	Bearing—Ball
10.	21534	Ring—Retainer
11.	14794	Gasket
	43781	Ass'y—Complete Motor (650, 1000, 1400 RPM)
	43782	Ass'y—Complete Motor (2150 RPM)
	43783	Ass'y—Complete Motor (360, 2650 RPM)

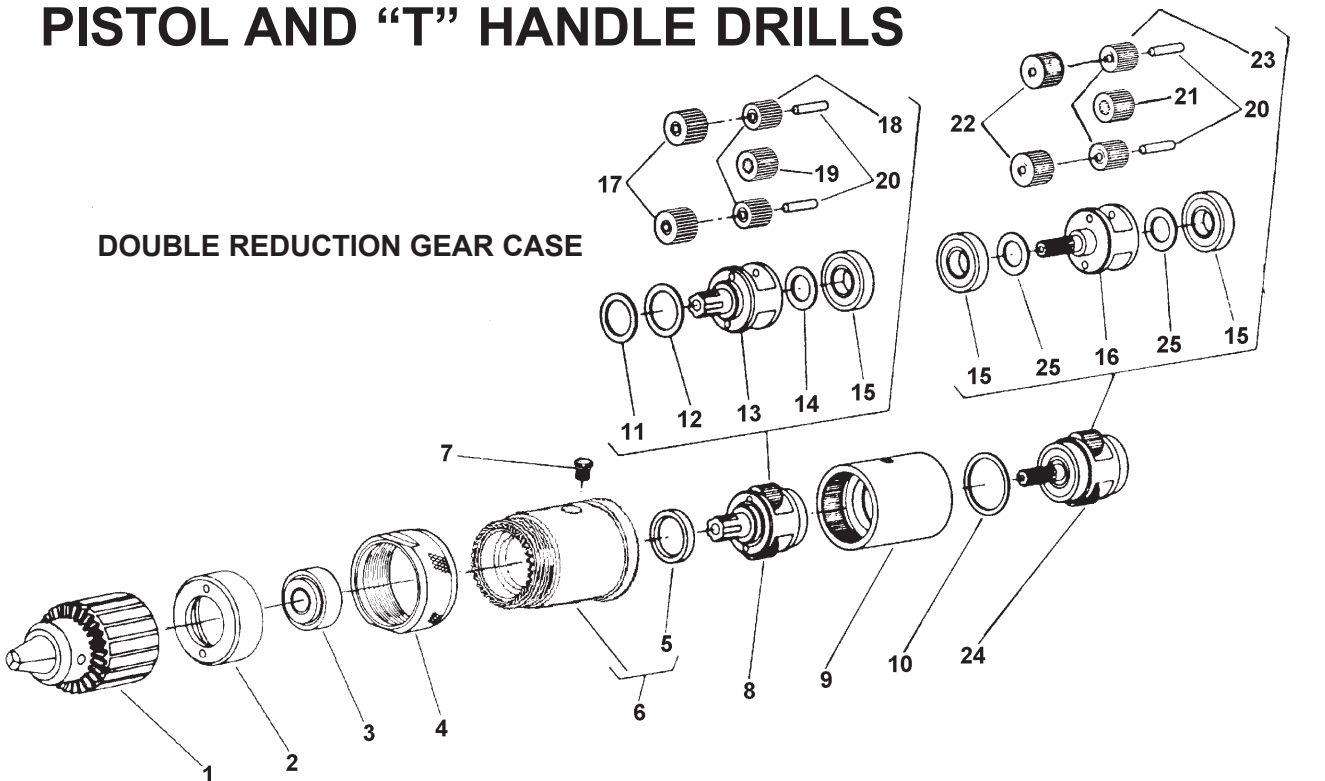


REVERSING MOTOR ASSEMBLY

Fig. No.	Part No.	Description
1.	35227	Washer
2.	10221	Bearing—Ball
3.	13226	Plate—Front End (Includes Fig. 2)
4.	44870	Rotor (1800 RPM)
	54675	Rotor (300, 2250 RPM)
	54676	Rotor (550, 850, 1200 RPM)
5.	43888	Ass'y—Rotor Vane (Set of 5)
6.	54049	Cylinder

Fig. No.	Part No.	Description
7.	13246	Plate—Rear End
8.	10241	Bearing—Ball
9.	21534	Ring—Retainer
	53907	Ass'y—Complete Motor (550, 850, 1200 RPM)
	53057	Ass'y—Complete Motor (1800 RPM)
	53908	Ass'y—Complete Motor (300, 2250 RPM)

PARTS LIST FOR NO. 3 SERIES PISTOL AND "T" HANDLE DRILLS



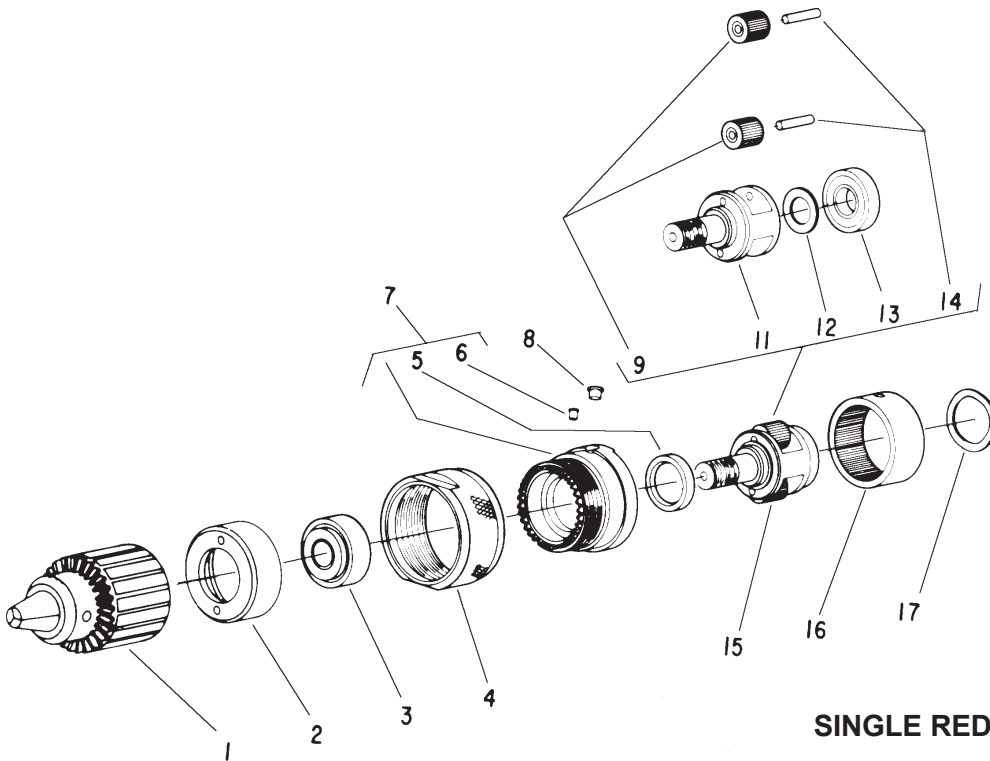
DOUBLE REDUCTION GEAR CASE

Fig. No.	Part No.	Description	
1.	21002	Chuck (3/8" Cap.)	
	21137	Chuck (1/2" Cap.)	
	08310	Screw—L.H. (Serial "C" & Up)(Reversing Units)	
	30011B	Key—Chuck	
	2.	44914	Retainer
		10198	Bearing—Ball
	3.	44798	Sleeve—Lock
	4.	30258	Seal—Oil
	5.	44800	Case—Gear
	6.	44797	Lock—Screw
8.	53724	Ass'y—2nd Planetary Reduction (300 RPM)(Reversing)(Includes 08310 Screw)	
	43873	Ass'y—2nd Planetary Reduction (360 RPM)(Non-Reversing)	
	53723	Ass'y—2nd Planetary Reduction (550 RPM)(Reversing)(Includes 08310 Screw)	
	43872	Ass'y—2nd Planetary Reduction (650 RPM)(Non-Reversing)	
	53725	Ass'y—2nd Planetary Reduction (850 RPM)(Reversing)(Includes 08310 Screw)	
	53003	Ass'y—2nd Planetary Reduction (1000 RPM)(Non-Reversing)	
	53722	Ass'y—2nd Planetary Reduction (1200 RPM)(Reversing)(Includes 08310 Screw)	
	43871	Ass'y—2nd Planetary Reduction (1400 RPM)(Non-Reversing)	
	9.	19207	Gear—Ring
	10.	21531	Ring—Lock
11.	21524	Ring—Retainer (1000 RPM)	
	21753	Ring—Retainer (1200 & 1400 RPM)	
12.	35260	Washer (1200 & 1400 RPM)	
13.	22656	Spindle—Chuck (300 RPM)(Reversing) (Includes Chuck Retaining Screw)	
	44808	Spindle—Chuck (360 RPM)(Non-Reversing)	
	22657	Spindle—Chuck (550 RPM)(Reversing) (Includes Chuck Retaining Screw)	

Fig. No.	Part No.	Description
22640	22640	Spindle—Chuck (650 RPM)(Non-Reversing)
	22659	Spindle—Chuck (850 RPM)(Reversing) (Includes Chuck Retaining Screw)
54004	54004	Spindle—Chuck (1000 RPM)(Non-Reversing)
	22658	Spindle—Chuck (1200 RPM)(Reversing) (Includes Chuck Retaining Screw)
44810	Spindle—Chuck (1400 RPM)(Non-Reversing)	
14.	25976	Washer
15.	10203	Bearing—Ball (3)*
16.	44961	Carrier—Pinion Planetary (300 & 360 RPM)
	44868	Carrier—Pinion Planetary (550 & 650 RPM)
	44806	Carrier—Pinion Planetary (850 & 1000 RPM)
	44805	Carrier—Pinion Planetary (1200 & 1400 RPM)
17.	19327	Ass'y—Gear & Bearing (300 & 360 RPM)(2)*
	19324	Ass'y—Gear & Bearing (550 & 650 RPM)(2)*
18.	19326	Ass'y—Gear & Bearing (850 & 1000 RPM)(2)*
	19325	Ass'y—Gear & Bearing (1200 & 1400 RPM)(2)*
19.	19205	Gear—Pinion (850 & 1000 RPM)
	19206	Gear—Pinion (1200 & 1400 RPM)
20.	30467	Pin (300, 360, 550, 650, 850 & 1000 RPM)(4)*
	30369	Pin (1200 & 1400 RPM)(4)*
21.	19205	Gear—Pinion (550, 650, 850 & 1000 RPM)
	19206	Gear—Pinion (1200 & 1400 RPM)
22.	19324	Ass'y—Gear & Bearing (300 & 360 RPM)(2)*
	19326	Ass'y—Gear & Bearing (550, 650, 850 & 1000 RPM)(2)*
23.	19325	Ass'y—Gear & Bearing (1200 & 1400 RPM)(2)*
	43882	Ass'y—1st Planetary Gear (300 & 360 RPM)
24.	43655	Ass'y—1st Planetary Gear (550 & 650 RPM)
	43587	Ass'y—1st Planetary Gear (850 & 1000 RPM)
25.	43585	Ass'y—1st Planetary Gear (1200 & 1400 RPM)
	35135	Washer (2)*

*Order Quantity As Needed

PARTS LIST FOR NO. 3 SERIES PISTOL AND "T" HANDLE DRILLS



SINGLE REDUCTION GEAR CASE

Fig. Part

No.	No.	Description
1.	21002	Chuck (3/8" Cap .)
	21137	Chuck (1/2" Cap.)
	08310	Screw—L.H. (Serial "C" & Up)(Reversing Units)
	30011	Key—Chuck (Used with either chuck.)
2.	44914	Retainer
3.	10198	Bearing—Ball
4.	44798	Sleeve—Lock
5.	30258	Seal—Oil
6.	30375	Fitting—Grease
7.	44799	Case—Gear
8.	44795	Pin
9.	19327	Ass'y—Gear & Bearing (1800 & 2150 RPM)(2)*
	19324	Ass'y—Gear & Bearing (2250 & 2650 RPM)(2)*
11.	22656	Spindle—Chuck (1800 RPM)(Reversing) (Includes 08310 Screw)
	44808	Spindle—Chuck (2150 RPM)(Non-Reversing)
	22657	Spindle—Chuck (2250 RPM)(Reversing) (Includes 08310 Screw)

Fig. Part

No.	No.	Description
	22640	Spindle—Chuck (2650 RPM)(Non-Reversing) (Includes 08310 Screw)
12.	25976	Washer
13.	10203	Bearing—Ball
14.	30467	Pin (2)*
15.	53724	Ass'y—2nd Planetary Gear (1800 RPM)(Reversing)(Includes 08310 Screw)
	43873	Ass'y—2nd Planetary Gear (2150 RPM)(Non-Reversing)
	53723	Ass'y—2nd Planetary Gear (2250 RPM)(Reversing)(Includes 08310 Screw)
	43872	Ass'y—2nd Planetary Gear (2650 RPM)(Non-Reversing)
16.	19208	Gear—Ring
17.	41236	Washer
	53731	Ass'y—Gear Case (1800 RPM)(Reversing)
	43875	Ass'y—Gear Case (2150 RPM)(Non-Reversing)
	53730	Ass'y—Gear Case (2250 RPM)(Reversing)
	43876	Ass'y—Gear Case (2650 RPM)(Non-Reversing)

*Order Quantity As Needed

PARTS LIST FOR NO. 3 SERIES PISTOL AND "T" HANDLE DRILLS

PANEL SAW

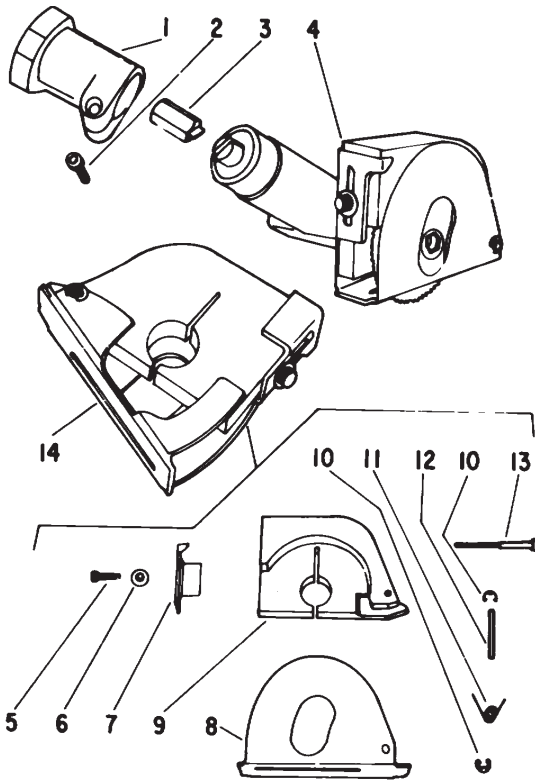


Fig. No.	Part No.	Description
1.	12383	Sleeve
2.	08014	Screw—Socket Hd. Cap
3.	54359	Coupler
4.	53487	Ass'y—Saw Unit
5.	07089	Screw—Socket Hd. Cap
6.	35033	Washer
7.	35331	Stop—Depth
8.	35330	Guard—Saw
9.	12381	Body—Saw
10.	21780	Ring—Retaining (2)*
11.	41283	Spring—Coil
12.	54358	Pin—Guard
13.	07103	Screw—Socket Hd. Cap
14.	53433	Ass'y—Guard

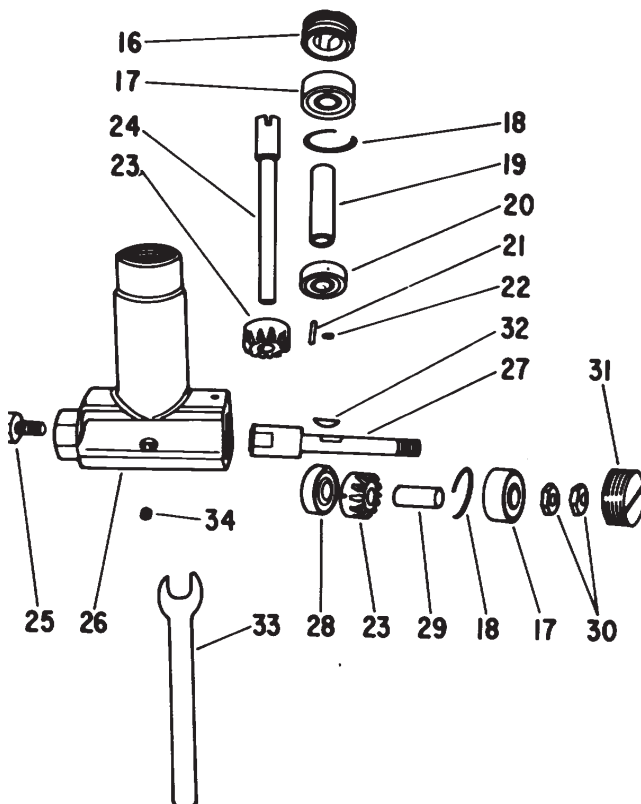


Fig. No.	Part No.	Description
16.	54361	Screw—Retaining
17.	10273	Bearing—Ball (2)*
18.	35332	Shim
19.	54365	Sleeve
20.	10272	Bearing—Ball
21.	24030	Key—Square
22.	06195	Screw—Socket Hd. Set (2)*
23.	19229	Gear—Miter (2)*
24.	54360	Spindle—Input
25.	08292	Bolt—Spindle
26.	12384	Housing
27.	54363	Spindle—Output
28.	10274	Bearing—Ball
29.	54364	Sleeve
30.	09557	Nut—Jam (2)*
31.	54362	Screw—Retaining
32.	30710	Key—Woodruff
33.	30709	Wrench
34.	08017	Screw—Set

*Order Quantity As Needed

PARTS LIST FOR NO. 3 SERIES NON-REVERSING AND "T" HANDLE DRILLS SERIAL "B"

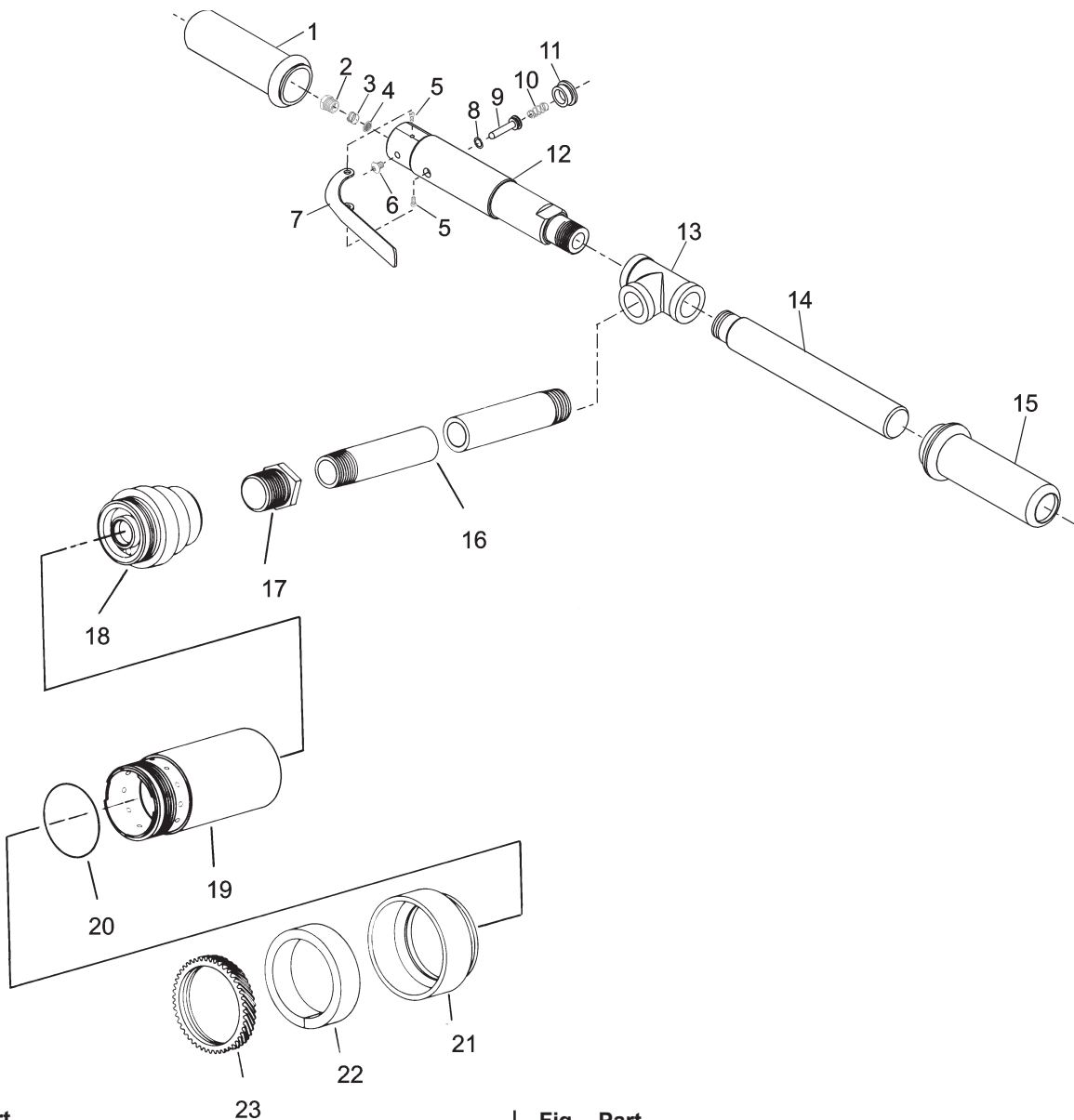


Fig. Part

No.	No.	Description
1.	66880A	Cover
2.	44100	Bushing—Reducing
3.	21417	Spring
4.	30462	Screen
5.	06099	Screw (2)*
6.	66963	Screw
7.	35235	Lever—Handle
8.	65289	Ring—"O"
9.	54260B	Stem—Valve
10.	21211	Spring
11.	66878	Cap
12.	67401	Ass'y—Handle and Extension (Includes Figs. 12 thru 14)
13.	40073	Straight—"Tee" 1/2"
14.	54708	Handle—Dead

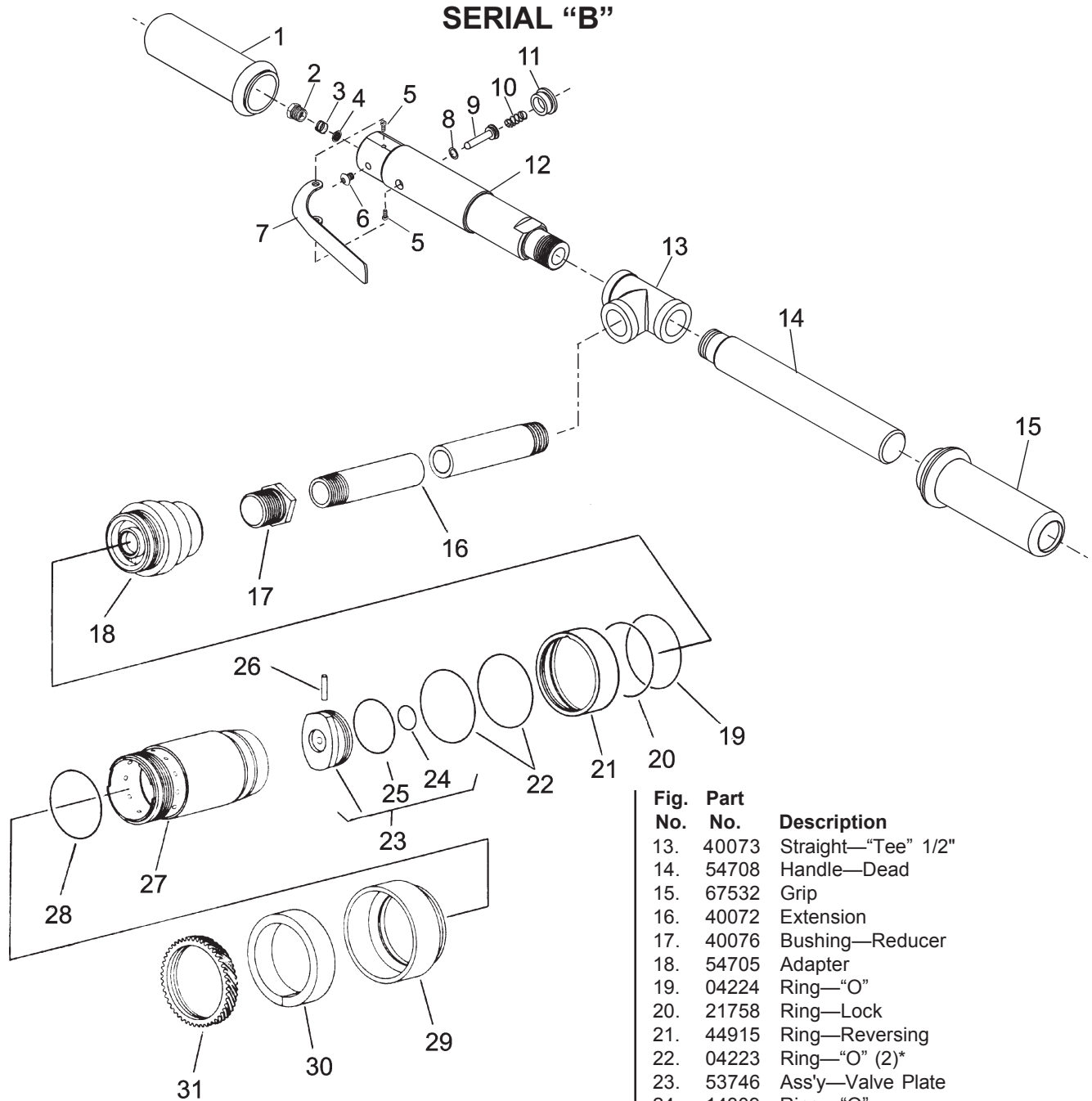
Fig. Part

No.	No.	Description
15.	67532	Grip
16.	40072	Extension
17.	40076	Bushing—Reducer
18.	54706	Adapter
19.	44792	Housing—Motor
20.	04206	Ring—"O"
21.	54156	Deflector
22.	14100	Liner—Deflector
23.	54182	Diffuser—Air
	67402	Ass'y—Tee Handle Complete (Includes Figs. 1 thru 15)

*Order Quantity As Needed

Furnish Catalog, Serial, & Model Number When Ordering Parts

PARTS LIST FOR NO. 3 SERIES REVERSING AND "T" HANDLE DRILLS



REVERSING "T" HANDLE ASSEMBLY

Fig. No.	Part No.	Description
1.	66880A	Cover
2.	44100	Bushing—Reducing
3.	21417	Spring
4.	30462	Screen
5.	06099	Screw (2)*
6.	66963	Screw
7.	35235	Lever—Handle
8.	65289	Ring—"O"
9.	54260B	Stem—Valve
10.	21211	Spring
11.	66878	Cap
12.	67401	Ass'y—Handle and Extension (Includes Figs. 12 thru 14)

Fig. No.	Part No.	Description
13.	40073	Straight—"Tee" 1/2"
14.	54708	Handle—Dead
15.	67532	Grip
16.	40072	Extension
17.	40076	Bushing—Reducer
18.	54705	Adapter
19.	04224	Ring—"O"
20.	21758	Ring—Lock
21.	44915	Ring—Reversing
22.	04223	Ring—"O" (2)*
23.	53746	Ass'y—Valve Plate
24.	14309	Ring—"O"
25.	04222	Ring—"O"
26.	66122	Pin
27.	54146	Housing—Motor
28.	04206	Ring—"O"
29.	54156	Deflector
30.	14100	Liner—Deflector
31.	54182	Diffuser—Air
	67402	Ass'y—Tee Handle Complete (Includes Figs. 1 thru 15)

*Order Quantity As Needed

Furnish Catalog, Serial, & Model Number
When Ordering Parts



SIoux TOOLS INC.

250 SNAP-ON DRIVE ■ PO BOX 1596 ■ MURPHY, NC 28906 ■ USA ■ Phone: 800-722-7290 ■ www.siouxtools.com

Printed In U.S.A.

This pdf incorporates the following model numbers:

3P1140, 3P1200-101, 3P1200, 3P1240, 3P124, 3P1340, 3P143, 3P1530, 3P1540,
3P1640, 3P214, 3P23, 3T11, 3T13, 3T1530, 3T1630, 3T16, 3T16, DR3P, 3T1140, 3T1630,
3T1340, 3T1640