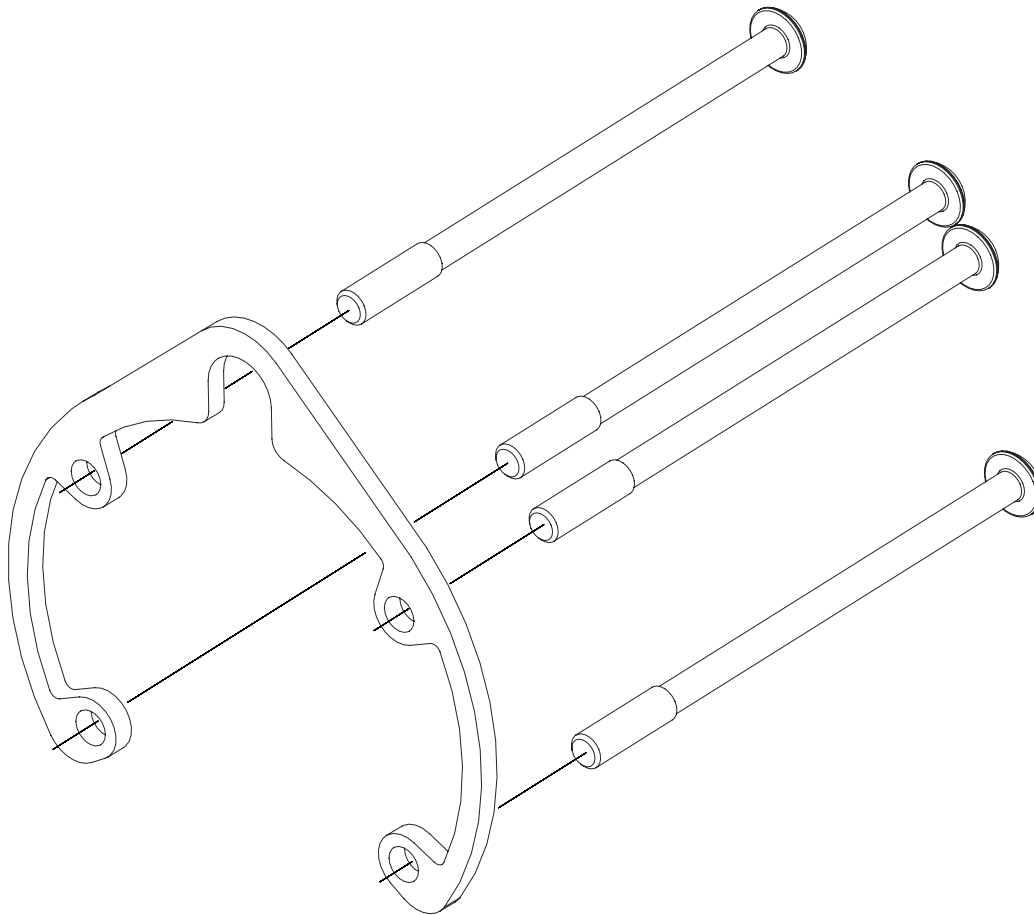




Snap-on Power Tools, Inc.

**TETHER INSTALLATION FOR IW500MP SERIES
PISTOL GRIP IMPACT WRENCH
SERIAL "A"**



IW500 Tether Installation

- Clamp the tool to prevent the separation of the nose from the housing. Separation of the nose from the housing will result in leakage of the impact oil and will require oil replacement.
- Remove the factory installed housing screws using a T25 Torx. Discard the old housing screws.
- Install the tether plate using the provided screws.
- Torque the new housing bolts in a cross pattern to 20 in-lbs

This pdf incorporates the following model numbers:

IW500MP, IW500-3