



INSTRUCTIONS AND PARTS LIST FOR 2L1600TH-107 POWER UNIT SERIAL "C"

BESURE TO LUBRICATE

All Sioux Air Tools are manufactured to extremely close tolerances. Reasonable care and preventative maintenance will greatly prolong their service life.

This line of tools is designed for a long life of continuous duty on assembly lines, with a minimum of service and maintenance. Rotating parts are mounted on extra-capacity ball bearings, rotors and spindles are finished to extreme accuracy for power and low air consumption, gears and pinions are oversize and correctly hardened for quietness and long life.

Special attention has been given to ease of servicing. These tools can be disassembled and reassembled with ease.

Before connecting the tool, blow the air line to remove water and dirt which may have accumulated. This is especially important for a new line or when the line has not been used for some time.

LUBRICATION

GEARS

The gears are lubricated at the factory. Every 100 hours of operation add 1/4 oz. of Sioux Grease No. 289.

AIR MOTORS

Sioux Air line lubricators are recommended. When used adjust lubricator to deliver 2 to 4 drops of Sioux Air Motor Oil No. 288 per minute to the air tool. If tool is not used with a lubricator, place 10 to 15 drops of Sioux No. 288 oil into air inlet twice daily.

OPERATION

The air motor is started by depressing the operating lever or trigger. Motor speed may be controlled by adjusting the slotted head control which is located on the tool housing or on some models on the trigger surface.

HOSE AND HOSE CONNECTION

Air supply hose should not be less than 3/8" I.D. If extension hose is necessary, use 1/2" I.D. hose with couplings not less than 3/8" I.D.

SAFETY PRECAUTIONS

1. Keep Work Area Clean: Cluttered areas and benches invite accidents.
2. Wear Proper Apparel: No loose clothing or jewelry to get caught in moving parts.
3. Use Safety Glasses: Protect your eyes.
4. Secure Work: Use clamps or vise to hold work. It's safer than using your hand and it frees both hands to operate tool.
5. Don't Overreach: Keep proper footing and balance at all times.
6. Maintain Tools With Care: Keep tools sharp and clean for best and safest performance. Follow instructions for lubricating and changing accessories.
7. Disconnect Tools: When not in use, before servicing, or when changing accessories such as blades, bits and etc.
8. Remove Adjusting Key and Wrenches: Form habit of checking to see that keys and adjusting wrenches are removed from tool before turning it on.
9. **Caution:** The use of an accessory with this tool not provided or specified by SIOUX TOOLS INC. may be hazardous.

SIoux TOOLS INC.

250 SNAP-ON DRIVE ■ PO BOX 1596 ■ MURPHY, NC 28906 ■ USA ■

Printed In U.S.A.

INSTRUCTIONS AND PARTS LIST FOR 2L1600TH-107 POWER UNIT SERIAL "C"

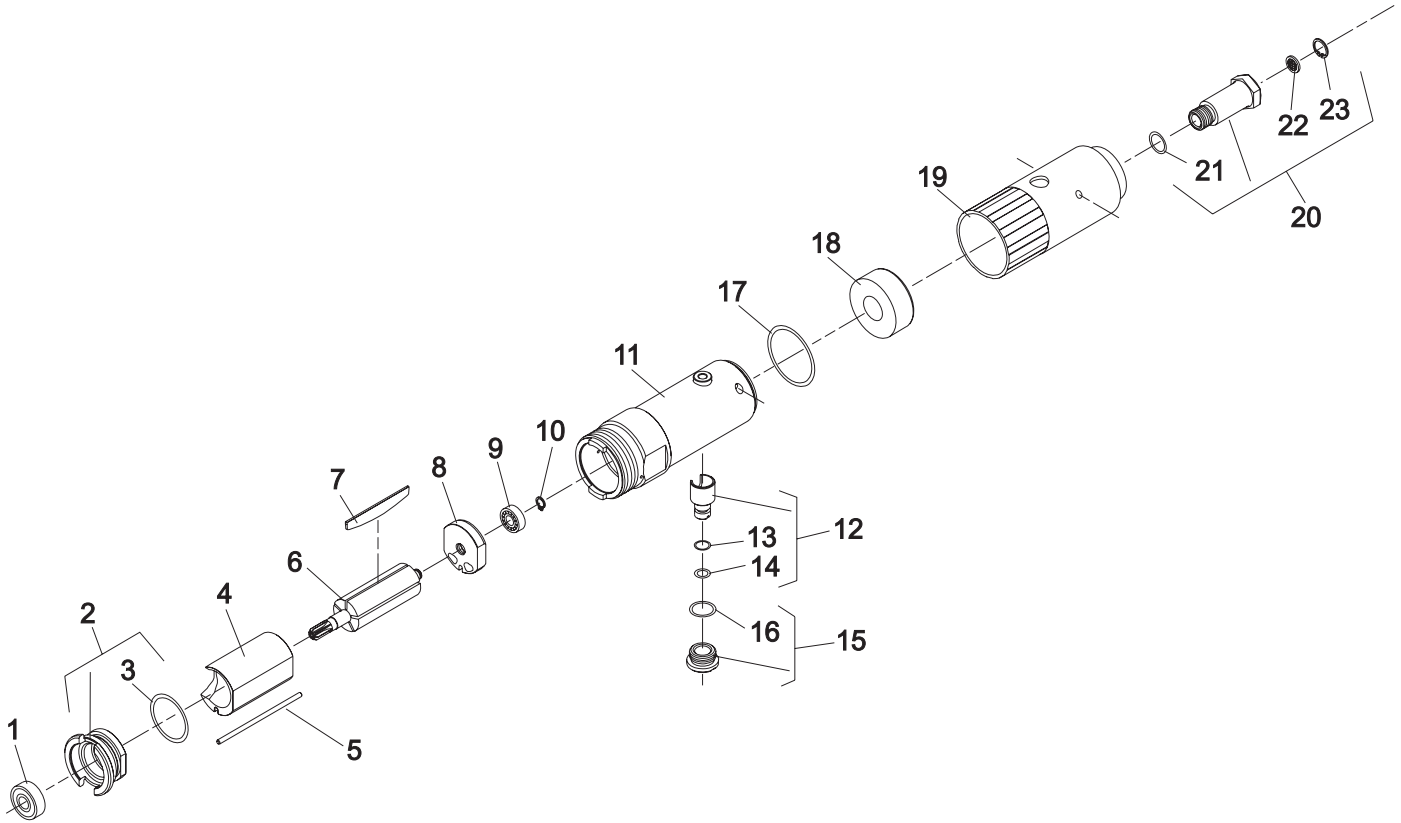


Fig. No.	Part No.	Description
1.	10220	Bearing—Ball
2.	13550	End Plate—Front
3.	14342	Ring—"O"
4.	64057	Cylinder
5.	68403	Pin
6.	67855	Rotor
7.	63192	Ass'y—Rotor Vane (Set of 5)
8.	10552	End Plate—Rear
9.	10230	Bearing—Ball
10.	21491	Ring—Retaining
11.	68768	Housing
12.	54843	Speed—Control
13.	14290	Ring—"O"

Fig. No.	Part No.	Description
14.	14291	Ring—"O"
15.	54844	Retainer—Speed Control
16.	14309	Ring—"O"
17.	14333	Ring—"O"
18.	40116	Material—Exhaust
19.	04042	Cover—Housing
20.	54837	Adaptor—Intake
21.	14312	Ring—"O"
22.	30463	Screen
23.	21541	Ring—Retaining

Complete Assemblies:
75202 Ass'y—Motor (Includes Figs. 1-10)

*Order Quantity As Required

**FURNISH CATALOG, SERIAL, AND MODEL NUMBER WHEN
ORDERING PARTS**

INSTRUCTIONS AND PARTS LIST FOR 2L1600TH-107 POWER UNIT SERIAL "C"

Single Reduction Gear Case (2000 RPM)

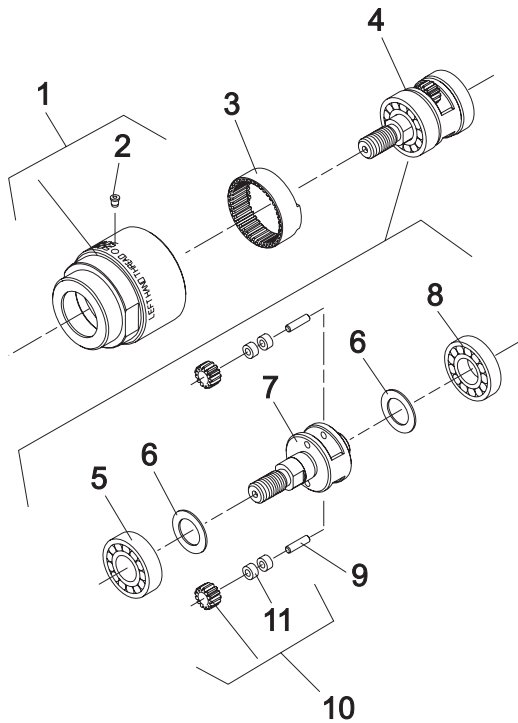


Fig. No.	Part No.	Description
1.	67928	Case—Gear
2.	30375	Fitting—Grease
3.	67858	Gear—Ring
4.	67895	Ass'y—Planetary Reduction (2000RPM)
5.	10228	Bearing—Ball
6.	25439	Washer (2)*
7.	67870	Carrier—Gear (2000RPM)
8.	10203	Bearing—Ball
9.	67857	Pin (2)*
10.	67944	Ass'y—Gear & Bearing (2000RPM)(2)*
11.	10080	Bearing—Needle (4)*

*Order Quantity As Required

**FURNISH CATALOG, SERIAL, AND MODEL NUMBER WHEN
ORDERING PARTS**



▲ WARNING



Some dust created by power sanding, sawing, grinding, drilling, and other construction activities contains chemicals known to cause cancer, birth defects or other reproductive harm.

▲ ADVERTENCIA



El polvo generado al lijar, aserrar, afilar, taladrar y realizar otras tareas de construcción contiene sustancias químicas que podrían causar cáncer, malformaciones congénitas y otras alteraciones del aparato reproductor.

**SIoux
TOOLS INC.**

250 SNAP-ON DRIVE ■ PO BOX 1596 ■ MURPHY, NC 28906 ■ USA ■

Printed In U.S.A.

This pdf incorporates the following model numbers:

2L1600TH-107