



NOTE: Parts are no longer available for this tool.

The manual will continue on the next page.



**PARTS LIST FOR
NO. 1710, 1710J, 1712B, & 1712BJ
SIOUX DRIVER 10000 RPM
SERIAL NO. STARTING WITH "F"**

Form Z748
Date 2005February10/A
Page 1 of 1

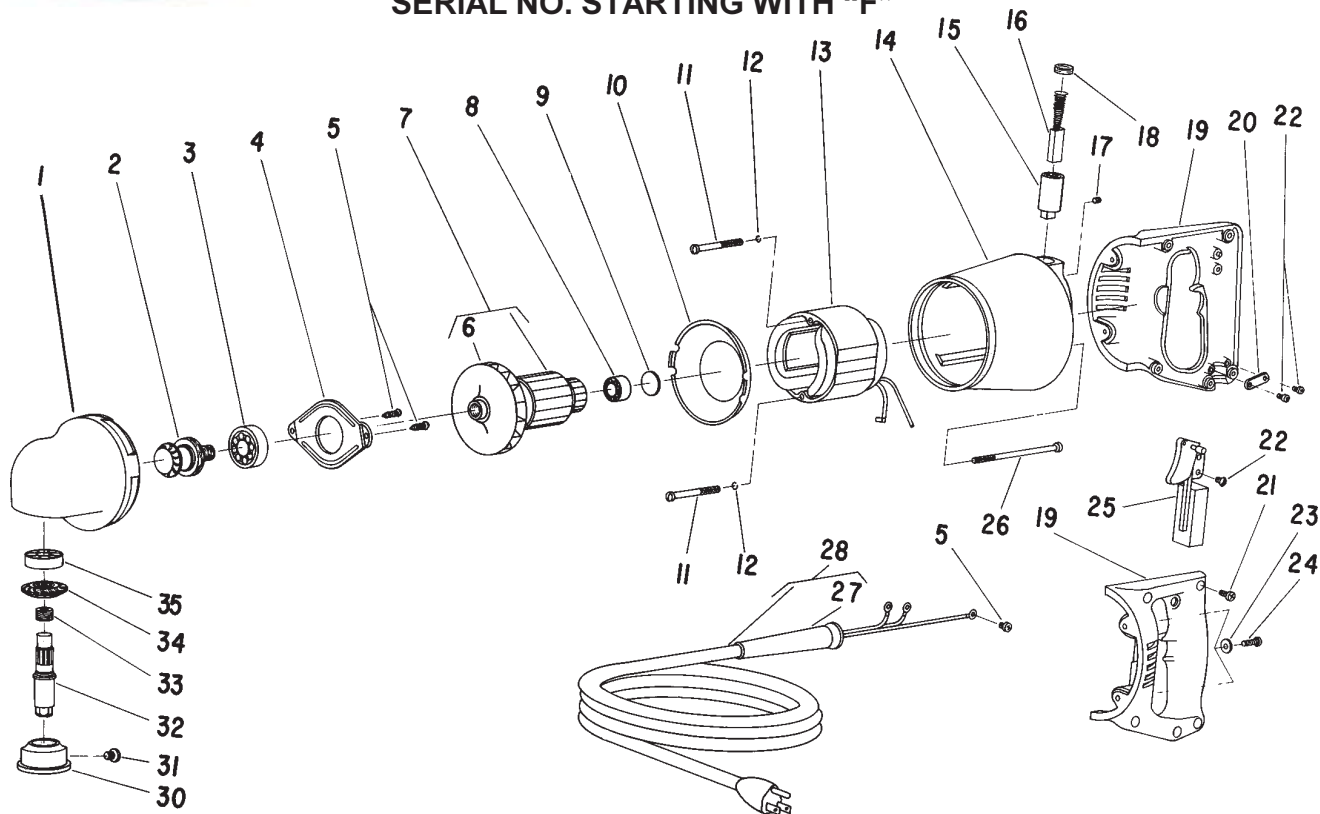


Fig. No.	Part No.	Description
1.	12002	Case—Gear
2.	19622	Ass'y—Pinion & Slinger
3.	10290	Bearing—Ball
4.	25027	Lock—Bearing
5.	07204	Screw—#10 (3)*
6.	21569A	Fan
7.	28997	Armature—With Fan (115V)(1710, 1712B)
	28997J	Armature—With Fan (230V)(1710J, 1712BJ)
	16856	Armature—With Fan & Bearings (115V)(1710)
	16856J	Armature—With Fan & Bearings (230V)(1710J, 1712BJ)
8.	10220	Bearing—Ball
9.	35232	Slug—Bearing
10.	25044	Plate—Baffle
11.	07145	Screw—#10 (2)*
12.	09724	Washer—Lock #10 (2)*
13.	28891	Field (115V)(1710, 1712B)
	28580J	Field (230V)(1710J, 1712BJ)
14.	12339	Housing (Includes Fig's. 15, 17)
15.	18076	Holder—Brush (2)*
16.	18004	Brush (Set of 2)
17.	07000	Screw—Set #10 (2)*
18.	18120	Cap—Brush Holder (2)*

Fig. No.	Part No.	Description
19.	53033	Ass'y—Handle
20.	35233	Strap
21.	06370	Screw—#6 (5)*
22.	06371	Screw—#6 (3)*
23.	35234	Washer (4)*
24.	07223	Screw—#10 (4)*
25.	18204	Switch
26.	07129	Screw—#10 (4)*
27.	04219	Relief—Strain
28.	18416	Ass'y—Cord & Terminals (115V)
	18418J	Ass'y—Cord & Terminals (230V)
30.	23694	Ass'y—Bearing Support
31.	08279	Screw—1/4"
32.	22916	Spindle—Tool
33.	21214	Spring—Tension
34.	19057	Gear—Spiral Bevel
35.	10113	Bearing—Ball

Not Shown:

20454R	Plate—Name (1710)
20457	Plate—Name (1712B)
20457J	Plate—Name (1712BJ)
09954	Screw (2)*

*Order Quantity As Needed

Furnish Catalog Number When Ordering Parts

**SIOUX
TOOLS INC.**

250 SNAP-ON DRIVE ■ PO BOX 1596 ■ MURPHY, NC 28906 ■ USA ■

Printed In U.S.A.

This pdf incorporates the following model numbers:

1710, 1710J, 1712B, 1712BJ