



NOTE: Parts are no longer available for this tool.

The manual will continue on the next page.



**PARTS LIST FOR 3T1600KT
SERIAL "C"**

Form Z745
Date 2004October13/A
Page 1 of 2

SINGLE REDUCTION GEAR CASE

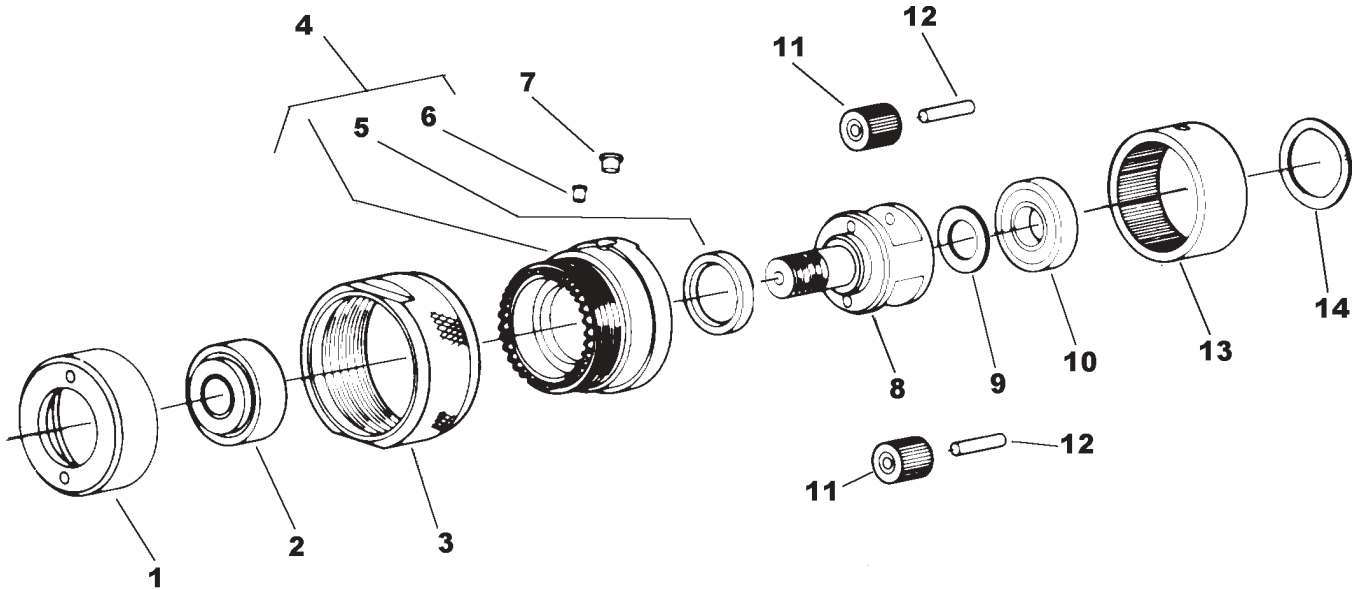


Fig. No.	Part No.	Description
1.	44914	Retainer
2.	10198	Bearing-Ball
3.	44798	Sleeve-Lock
4.	44799	Case-Gear
5.	30258	Seal-Oil
6.	30375	Fitting-Grease
7.	44795	Pin
8.	22640KT	Spindle-Chuck (2650 RPM)(Non-Reversing)
9.	25976	Washer
10.	10203	Bearing-Ball
11.	19324	Ass'y-Gear & Bearing (2)*
12.	30467	Pin (2)*
13.	19208	Gear-Ring
14.	41236	Washer

Complete Assembly:
43876KT Ass'y-Gear Case (2650 RPM)(Non-Reversing)

*Order Quantity As Required

**FURNISH CATALOG, SERIAL, AND MODEL NUMBER WHEN
ORDERING PARTS**

**SIoux
TOOLS INC.**

250 SNAP-ON DRIVE ■ PO BOX 1596 ■ MURPHY, NC 28906 ■ USA ■

Printed In U.S.A.



**PARTS LIST FOR 3T1600KT
SERIAL "C"**

NON-REVERSING MOTOR ASSEMBLY

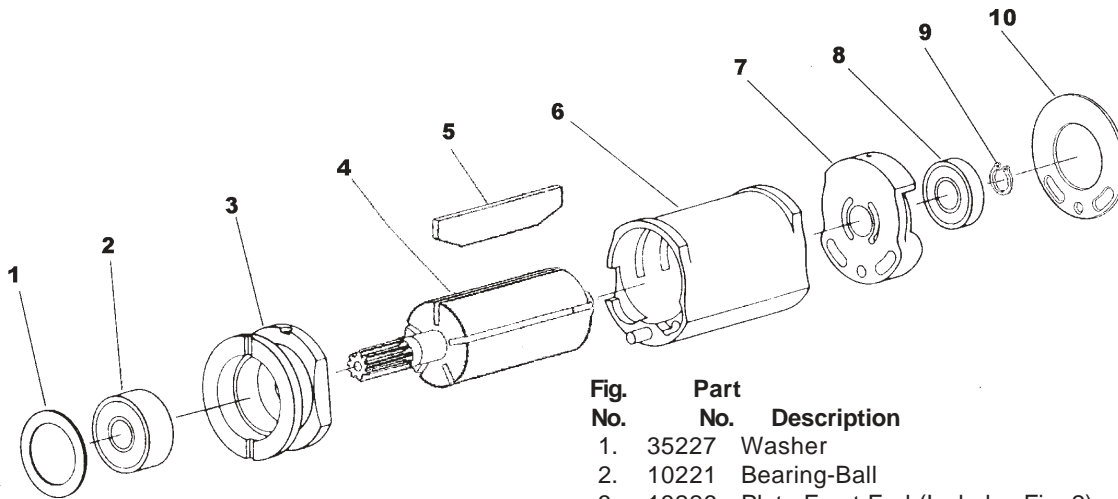


Fig. No.	Part No.	Description
1.	35227	Washer
2.	10221	Bearing-Ball
3.	13226	Plate-Front End (Includes Fig. 2)
4.	54675	Rotor (360, 2650 RPM)
5.	43888	Ass'y-Rotor Vane (Set of 5)
6.	44869	Cylinder
7.	13227	Plate-Rear End
8.	10241	Bearing-Ball
9.	21534	Ring-Retainer
10.	14794	Gasket
	43783	Ass'y-Complete Motor (360, 2650 RPM)

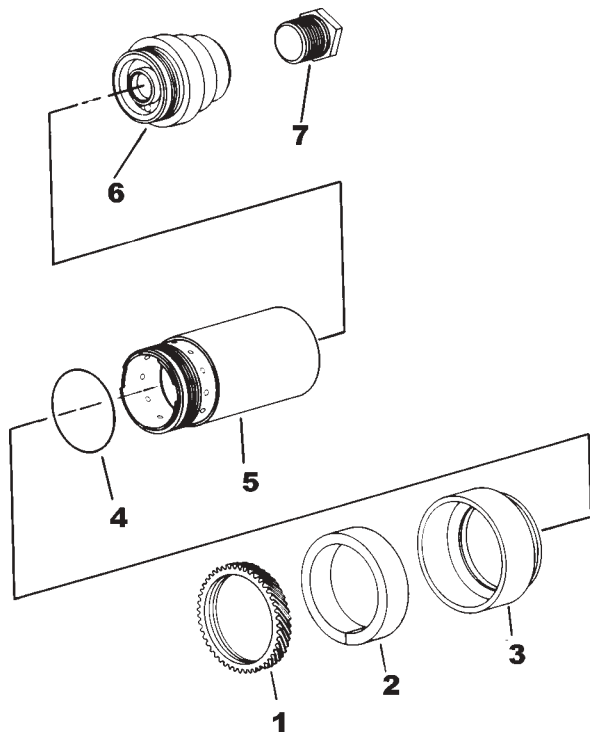


Fig. No.	Part No.	Description
1.	40076	Bushing-Reducer
2.	54706	Adapter
3.	44792	Housing-Motor
4.	04206	Ring-"O"
5.	54156	Deflector
6.	14100	Liner-Deflector
7.	54182	Diffuser-Air

**SIoux
TOOLS INC.**

250 SNAP-ON DRIVE ■ PO BOX 1596 ■ MURPHY, NC 28906 ■ USA ■

*Order Quantity As Required
FURNISH CATALOG, SERIAL, AND MODEL NUMBER WHEN
ORDERING PARTS

Printed In U.S.A.

This pdf incorporates the following model numbers:

3T1600KT