



NOTE: Parts are no longer available for this tool.

The manual will continue on the next page.



INSTRUCTIONS & PARTS LIST FOR SZEAS7S & SZEAS8S TRIM SHEAR SERIAL "B"

Read and understand these instructions before operating this tool.

SAVE THESE INSTRUCTIONS!

WARNING

When used improperly power tools can create hazardous situations.

Everyone using, maintaining, changing accessories or working near this tool must read, understand and follow these Safety Instructions!

Improperly used power tools can cause injury or death.



Trim shears can cause flying particles.

Proper eye protection must be worn at all times by tool user and bystanders.

Flying particles can cause eye injury.



Trim shears generate noise.

Ear protection must be worn when tool noise level exceeds 85 dBA. We also recommend that ear protection be worn when the tool noise level is below 85 dBA.

Prolonged exposure to noise can cause hearing loss.



Trim shears vibrate.

Excessive vibration can cause injury. If numbness, tingling, pain or whitening of the skin occurs, stop using tool and consult a physician.

Prolonged exposure to vibration can cause injury.



This tool is not insulated for contact with electric power sources.

Do not use near live electric circuits.

Electric shock can cause injury.



This tool is not intended for use in an explosive atmosphere.

Do not use this tool in a flammable or explosive atmosphere.

Explosions and fire can cause injury.



Poorly maintained and lubricated tools can fail unexpectedly.

Keep tool properly lubricated and in good repair at all times. Use only Sioux Air Motor Oil No. 288. Do not drop the end of the hose on the floor where it will pick up dirt and transport it into the tool.

Unexpected tool failures can cause injury.



Tools not operated at proper air pressure can operate erratically.

Do not exceed a maximum air pressure of 90 psig/6.2 bar. Use an air regulator to maintain proper air pressure.

Erratic operation in power tools can cause injury.



Air hoses can come loose from power tools and whip.

Inspect and do not use tools with loose or damaged air hoses or fittings.

Whipping air hoses can cause injury.



Hands and fingers can contact the blades.

Keep hands and fingers away from the blade at all times.

Hands and fingers in contact with the blade can be injured.



Trim shears produce sharp chips and trimmings.

Keep hands and fingers away from the chips and trimmings at all times.

Hands and fingers in contact with the chip and trimmings can be injured.



Long hair and loose clothing can be drawn into or trapped by the rotating blades.

Keep long hair and loose clothing away from rotating blades. Wear a hairnet for long hair.

Drawing in or trapping of long hair and loose clothing can cause injury.



Trim shear blades that are not properly clamped or mounted can come off of the tool.

Ensure that the saw blade is properly clamped and mounted before operating tool.

Trim shear blades that come off of the tool can cause injury.



Snap-on Power Tools, Inc.



Tools with the actuator left in the an unexpected air pressure loss occurs can start unexpectedly when the air pressure is restored.

Release the actuator if an unexpected air loss occurs.

Unexpected tool starts can cause injury.

A work piece that is not properly secured can move while cutting.

Always properly secure the work piece before cutting.

A work piece that moves while cutting can cause injury.

INTENDED USE

This SZEAS7S series is intended to cut metal up to .090

This SZEAS8S series is intended to cut metal up to .075

If it is used for anything else, it is considered misuse and creates a hazard and may void the warranty.

AIR SUPPLY

The efficiency of the tool is dependent on the proper supply of clean dry air at 90 psig (6.2 bar). The use of a line filter, pressure regulator, and lubricator will insure maximum output and life of tools. Before connecting tool, blow out the air line to remove water and dirt which may have accumulated.

HOSE AND HOSE CONNECTIONS

Supply hose should be not less than 3/8" (10mm) I.D. Extension hoses should be at least 1/2" (13mm) I.D. Use couplings and fittings with at least 3/8" (10mm) I.D.

LUBRICATION

Use SIOUX No. 288 air motor oil. An airline lubricator, set to deliver 2 to 3 drops per minute, is recommended. If a lubricator is not used, add .08 oz. (2.4 cc, 24 to 30 drops) of oil into the air inlet every 2 to 3 hours.

GENERAL OPERATION

Engage material to be cut between blades, activate trigger and advance tool at a constant rate. Do not force tool.



WARNING



Tools left connected to the air supply while making adjustments, changing accessories, or doing any maintenance or service on tool can start unexpectedly.

Always remove tool from air supply and activate trigger to bleed airline before making any adjustments, changing accessories, or doing any maintenance or service on tool.

Tools starting unexpectedly can cause injury.

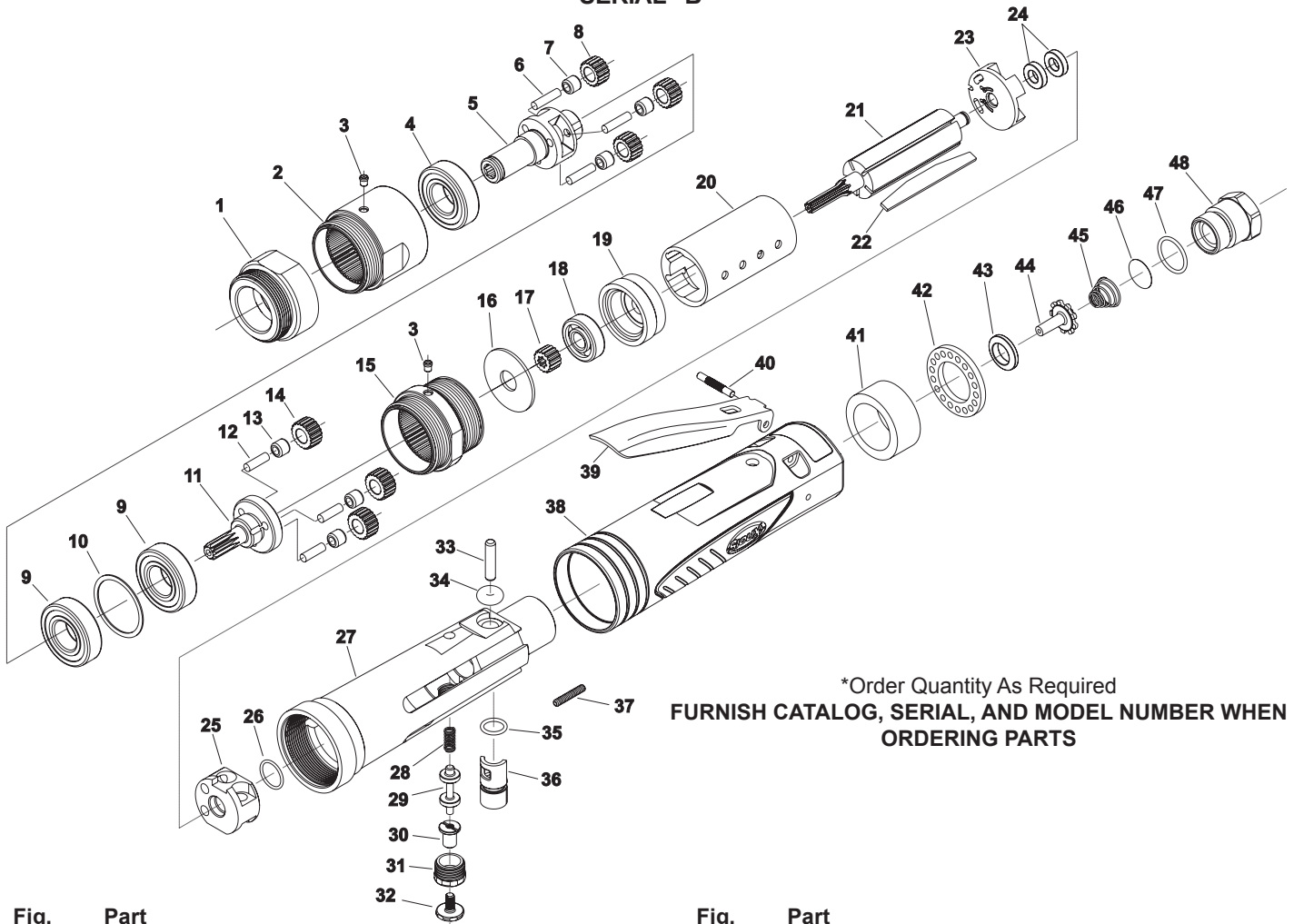


WARNING



Some dust created by power sanding, sawing, grinding, drilling and other construction activities contains chemicals know to cause cancer, birth defects and other reproductive harm.

**PARTS LIST FOR SZEAS7S & SZEAS8S TRIM SHEAR
SERIAL "B"**



*Order Quantity As Required
FURNISH CATALOG, SERIAL, AND MODEL NUMBER WHEN
ORDERING PARTS

Fig. No.	Part No.	Description
1.	SDR-43KT	Gear Case Cap
2.	SDR-42	Double Reduction Gear Case (Includes Figure 3)
3.	30375	Grease Fitting (2)*
4.	10265	Ball Bearing
5.	SSD-61	Gear Carrier
6.	SDR-24	Pin (3)*
7.	10028FC	Needle Bearing (3)*
8.	SDR-45	Planetary Gear (3)*
9.	ME11A33A	Ball Bearing (2)*
10.	SDR-27	Spacer
11.	SDR-36	Cantilevered Gear Carrier
12.	30062	Pin (3)*
13.	10040	Needle Bearing (3)*
14.	SDR-46	Planetary Gear (3)*
15.	SDR-41	First Reduction Gear Case (Includes Figure 3)
16.	SDR-29	Wear Plate
17.	SDR-47	Sun Gear
18.	10220	Ball Bearing
19.	SDR-80	Front End Plate
20.	SP74130	Cylinder, Reversing
21.	SDR-7	Rotor (7 tooth)
22.	SP74048	Vane Set
23.	SDR-11	Rear End Plate
24.	SDR-26	Ball Bearing (2)*
25.	SDR-82	Rapid Reverse Insert
26.	69007	O-ring
27.	SDR-81	Straight Reversing Housing
28.	SDR-84	Reversing Spring
29.	SDR-83	Reverse Valve Spool
30.	SDR-88	Top Reverse Button

Fig. No.	Part No.	Description
31.	SDR-85	Top Reverse Nut
32.	SDR-86	Top Reverse Cap
33.	74018	Torr Pin, 3/16 X 7/8
34.	67793	O-ring
35.	14290	O-ring
36.	74013	Regulator
37.	06402	Screw, 6-32 X 3/4 Set Soc Hex
38.	74103	Cover
39.	SDR-5	Lever
40.	74020	Knurl Pin
41.	74016	Muffler
42.	74017	Exhaust Deflector
43.	74008	Throttle Valve Seat
44.	74009	Throttle Valve
45.	74010	Taper Spring
46.	74011	Screen
47.	14281B	O-ring, 1/16 X 5/8 X 3/4
48.	74012	Inlet Bushing



PARTS LIST FOR SEAS-7 & SEAS-8 SHEAR SERIAL "B"

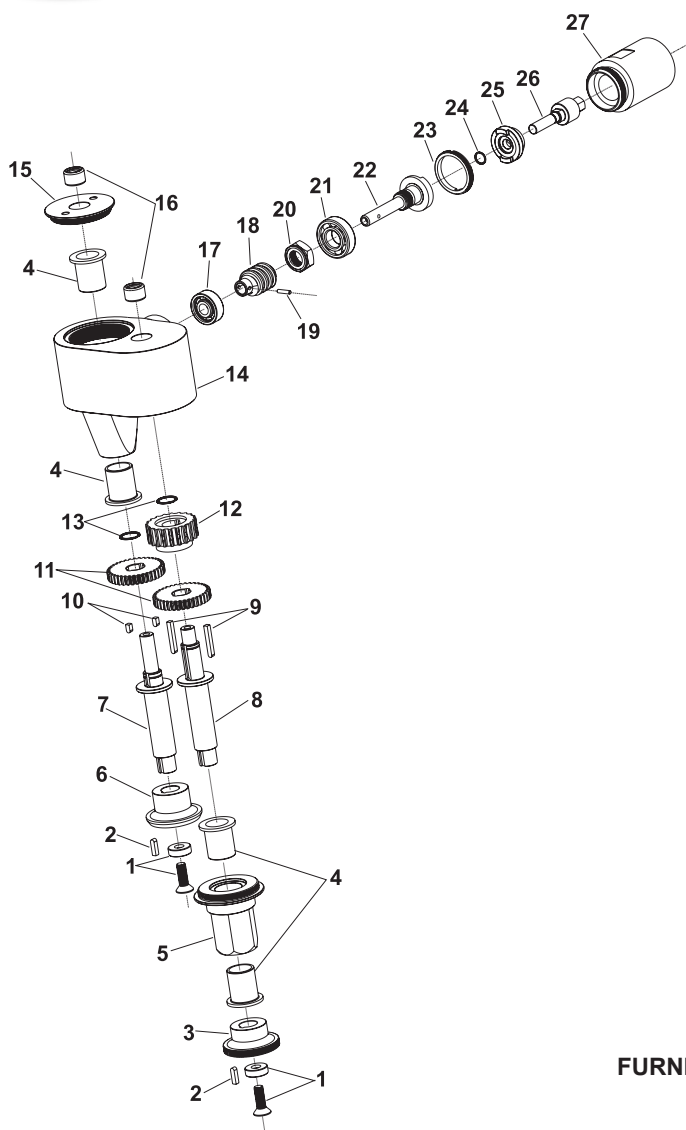


Fig. No.	Part No.	Description
1.	SZE437	Lock Screw & Washer
2.	SZE440	Key
3.	SZE434	Feed Cutter
4.	SZE251	Bearing (4)*(SEAS-7)
	SZE479	Bearing (4)* (SEAS-8)
5.	SZE423	Front Cover (SEAS-7)
	SZE480	Front Cover (SEAS-8)
6.	SZE433	Roll Cutter
7.	SZE422	Cutter Shaft (SEAS-7)
	SZE478	Cutter Shaft (SEAS-8)
8.	SZE424	Feed Shaft (SEAS-7)
	SZE481	Feed Shaft (SEAS-8)
9.	SZE441	Key (2)
10.	SZE435	Key
11.	SZE431	Spur Gear (2)*
12.	SZE429	Worm Wheel
13.	SZE366	Snap Ring
14.	SZE421	Housing (SEAS-7)
	SZE477	Housing (SEAS-8)
15.	SZE425	Rear Cover
16.	SZE432	Needle Bearing
17.	SZE438	Ball Bearing
18.	SZE430	Worm
19.	SZE436	Pin
20.	SZE439	Stop Nut
21.	SZE248	Ball Bearing
22.	SZE426	Drive Shaft
23.	SZE428	Lock Nut
24.	SZE7816	Retaining Ring
25.	SZE7815	Drive Dog
26.	SZE7810	Drive Dog Shaft
27.	SZE7811	Motor Adaptor

*Order Quantity As Required

FURNISH CATALOG, SERIAL, AND MODEL NUMBER WHEN ORDERING PARTS

⚠ WARNING



Some dust created by power sanding, sawing, grinding, drilling, and other construction activities contains chemicals known to cause cancer, birth defects or other reproductive harm.

⚠ ADVERTENCIA



El polvo generado al lijar, aserrar, afilar, taladrar y realizar otras tareas de construcción contiene compuestos químicos que podrían provocar cáncer, malformaciones congénitas y otras alteraciones del aparato reproductor.



Snap-on Power Tools, Inc.

This pdf incorporates the following model numbers:

SZEAS7S, SZEAS8S