



NOTE: Parts are no longer available for this tool.

The manual will continue on the next page.



ENGLISH



Form Z738
Date 2004 April 30/A
Page 1 of 4

**INSTRUCTIONS & PARTS LIST FOR
SW-50-6 IMPACT WRENCH
Serial "A"**

Read and understand "Safety Instructions For Air Tools" and these instructions before operating this tool.

SAVE THESE INSTRUCTIONS!



GREASE

Lubricate the bearings and clutch mechanism with grease after 40 to 60 hours of operation.

LUBRICATION

After each two or three hours of operation, squirt a few drops of oil into the air inlet unless an air line lubricator is used.

CAUTION

Handle with care to avoid dropping and bumping.

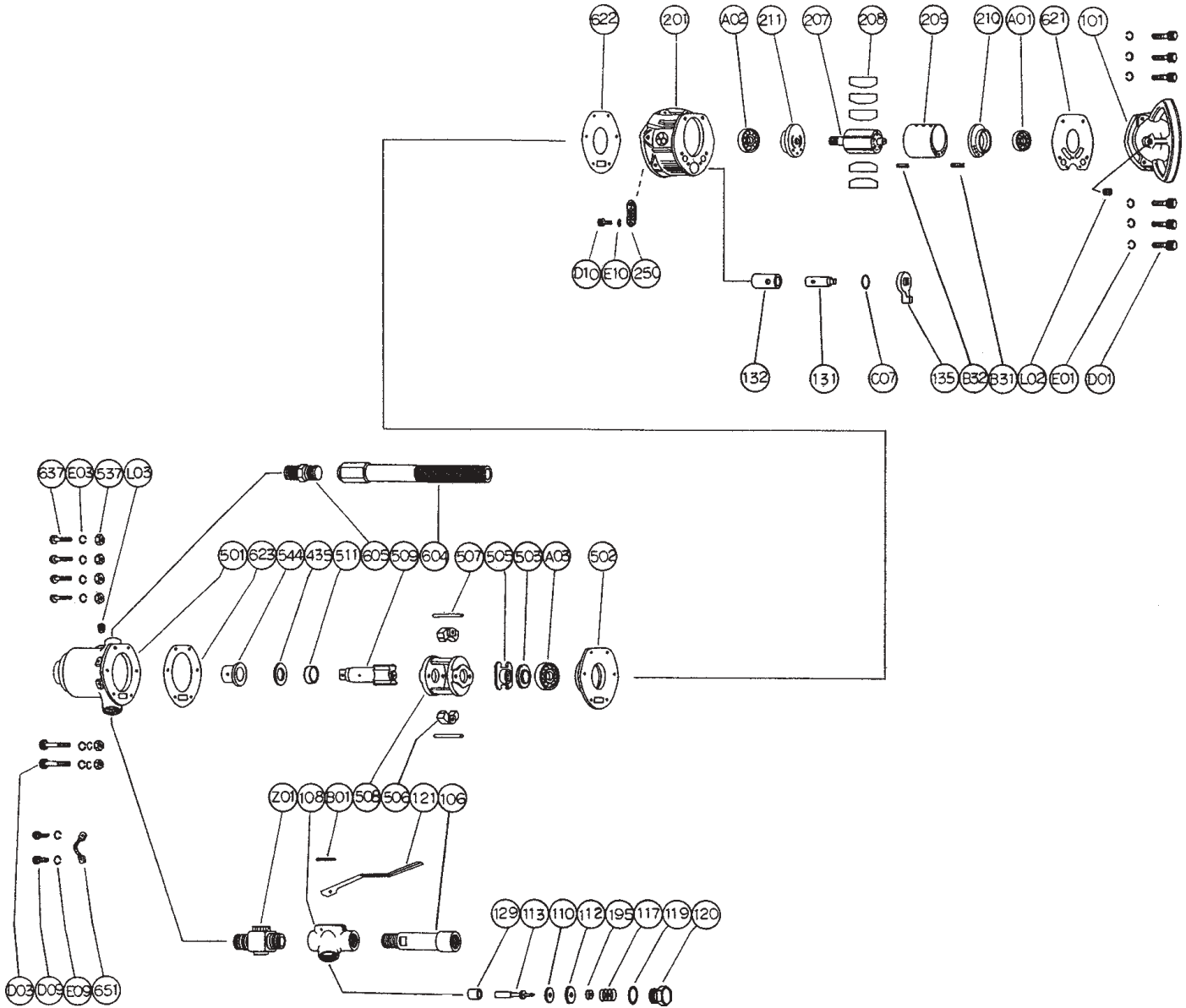
Model	Clutch Mechanism	Capacity Bolt Size (Screw Size)		Free Speed (about)	Side to Center (about)		Square Drive Size		Overall Length (about)		Weight (about)		Air Consumption Under Load (about)		Air Hose Size	
		mm	in		mm	in	mm	in	mm	in	kg	lb	m ³ /min	ft ³ /min	mm	in
SW-50-6	Double	50	2	4000	71	2-51/64	38.1	-1/2	500	19-11/16	33	72.6	1.9	67.0	19.0	3/4

**SIoux
TOOLS INC.**

250 SNAP-ON DRIVE ■ PO BOX 1596 ■ MURPHY, NC 28906 ■ USA ■

Printed In U.S.A.

PARTS LIST FOR SW-50-6 IMPACT WRENCH Serial "A"



**PARTS LIST FOR
SW-50-6 IMPACT WRENCH
Serial "A"**

Figure	Part Number	Description	Figure	Part Number	Description
CP no	W-028003-00	Throttle Valve Body CP	B32	SP-616	Spring Pin
108	W-028108-00	Throttle Valve Body	210	W-028210-00	Cylinder Upper Plate
117	W-028117-01	Throttle Valve Spring	211	W-028211-00	Cylinder Lower Plate
119	W-028119-00	Throttle Valve Cover Packing	250	W-028250-00	Exhaust Cover
120	W-028120-00	Throttle Valve Cover	435	W-028435-00	Thrust Washer
121	W-028121-00	Throttle Valve Lever	502	W-028502-00	Clutch Housing Cover
129	W-028129-00	Throttle Valve Rod Bushing	503	W-028503-00	Spacer A
B01	SP-528	Spring Pin	505	W-028505-01	Cam
CP no	W-02008-00	Throttle Valve Rod CP	506	W-028506-01	Hammer Clutch (2)*
110	W-028110-01	Throttle Valve	507	W-028507-00	Clutch Pin (2)*
112	W-028112-01	Throttle Valve Collar	508	W-028508-00	Clutch Frame
113	W-028113-01	Throttle Valve Rod	509	W-028509-00	"P" Anvil
195	W-028195-00	Sub Throttle Valve	511	W-028511-00	Clutch Frame Bushing
CP no	W-028013-00	Clutch Housing CP	537	W-014537-00	Hexagon Nut (6)*
501	W-028501-01	Clutch Housing	604	D-015604-00	Dead Handle
544	W-028544-01	Clutch Housing Bushing	605	D-015605-00	Dead Handle Joint
651	W-028651-00	Hanger	621	W-028621-00	Packing A
D09	CS-820	Cap Screw (2)*	622	W-028622-00	Packing B
E09	SW-8	Spring Washer (2)*	623	W-028623-00	Packing C
L02	PL-1/4	Plug	637	W-028637-00	Half Cut Head Bolt (4)*
101	W-028101-00	Housing Cover	A01	BB-6305	Ball Bearing
106	W-028106-00	Throttle Valve Handle	A02	BB-6306	Ball — Bearing
131	W-028131-00	Reverse Valve	A03	BB-7209	Ball Bearing
132	W-028132-00	Reverse Valve Bushing	C07	O-P34	"O" Ring
135	W-028135-00	Reverse Valve Lever	D01	CS-835	Cap Screw (6)*
201	W-028201-01	Housing	D03	CS-850	Cap Screw (2)*
207	W-028207-01	Rotor	D10	CS-512	Cap Screw (2)*
208	W-028208-01	Rotor Blade (6)*	E01	SW-8	Spring Washer (6)*
209	W-028209-00	Cylinder	E03	SW-8	Spring Washer (8)*
B31	SP-625	Spring Pin	E10	SW-5	Spring Washer (2)*
			L03	PL-1/4	Plug
			Z01	W-30	Regulator

The letters CP in the Index No. column represent assembled parts.

The parts which form CP are shown in the thick square line.

The parenthesized figure in the Part No. and the Part Name column shows the number of required quantity.

The parenthesized part is supplied together when the part which is shown above the parenthesized part is ordered. The parenthesized part is available separately when it is ordered.

*Order Quantity As Required

FURNISH CATALOG, SERIAL, AND MODEL NUMBER WHEN ORDERING PARTS



▲ WARNING



Some dust created by power sanding, sawing, grinding, drilling, and other construction activities contains chemicals known to cause cancer, birth defects or other reproductive harm.

▲ ADVERTENCIA



El polvo generado al lijar, aserrar, afilar, taladrar y realizar otras tareas de construcción contiene sustancias químicas que podrían causar cáncer, malformaciones congénitas y otras alteraciones del aparato reproductor.

**SIoux
TOOLS INC.**

250 SNAP-ON DRIVE ■ PO BOX 1596 ■ MURPHY, NC 28906 ■ USA ■

Printed In U.S.A.

This pdf incorporates the following model numbers:

SW-50-6