



NOTE: Parts are no longer available for this tool.

The manual will continue on the next page.



INSTRUCTIONS AND PARTS LIST FOR 1716 & 1716-3 DRESSING TOOL

WARNING

When used improperly, power tools can create hazardous situations.
Everyone using, maintaining, changing accessories or working near this tool must read, understand and follow these Safety Instructions!
Improperly used power tools can cause injury or death.
SAVE THESE INSTRUCTIONS!



Proper eye protection must be worn at all times by tool user and bystanders.



Do not use this tool in a flammable or explosive atmosphere.



Keep loose hair away from power tools and accessories. Do not wear jewelry, loose clothing, or neckwear round power tools. Keep work area clear of cleaning rags and all items that could become entangled with the tool.



Do not breath grinding dust. Use approved mask.



Do not remove guard.



Some dust created by power sanding, sawing, grinding, drilling, and other construction activities contains chemicals known to cause cancer, birth defects or other reproductive harm.



El polvo generado al lijar, aserrar, afilar, taladrar y realizar otras tareas de construcción contiene sustancias químicas que podrían causar cáncer, malformaciones congénitas y otras alteraciones del aparato reproductor.

Dressing Wheel to Desired Angle

- Set the degree mark on the dressing tool to the desired angle.
- Put a drop of light oil on the dressing tool pilot and place the wheel holder with the mounted wheel on the pilot.
- Loosen the socket head screw holding the pilot. Adjust the height of the pilot so the wheel just touches the diamond. Retighten the screw.
- Drive the holder with the high speed driver while advancing the diamond until it just touches the wheel.
- Move the diamond across the entire face of the wheel and bring it back.
- Advance the diamond again until it just touches the wheel and make another complete pass.
- Continue until the face of the wheel is at the proper angle and/or the face is cleaned up.

Dressing Wheel to Desired Diameter

- Set the degree mark on the dressing tool to 90 degrees.
- Adjust the diamond so it extends beyond the handle about 1/2 inch.
- Put a drop of light oil on the dressing tool pilot and place the wheel holder with the mounted wheel on the pilot.
- Loosen the slide adjustment knob and move the handle close to the edge of the wheel. Retighten the knob.
- Drive the holder with the high speed driver while advancing the diamond until it just touches the wheel.
- Move the diamond down the entire side of the wheel and bring it back up.
- Advance the diamond again until it just touches the wheel and make another complete pass.
- Continue until the wheel is dressed to the desired size.

SIoux
TOOLS INC.

250 SNAP-ON DRIVE ■ PO BOX 1596 ■ MURPHY, NC 28906 ■ USA ■

Printed In U.S.A.



INSTRUCTIONS AND PARTS LIST FOR 1716 & 1716-3 DRESSING TOOL

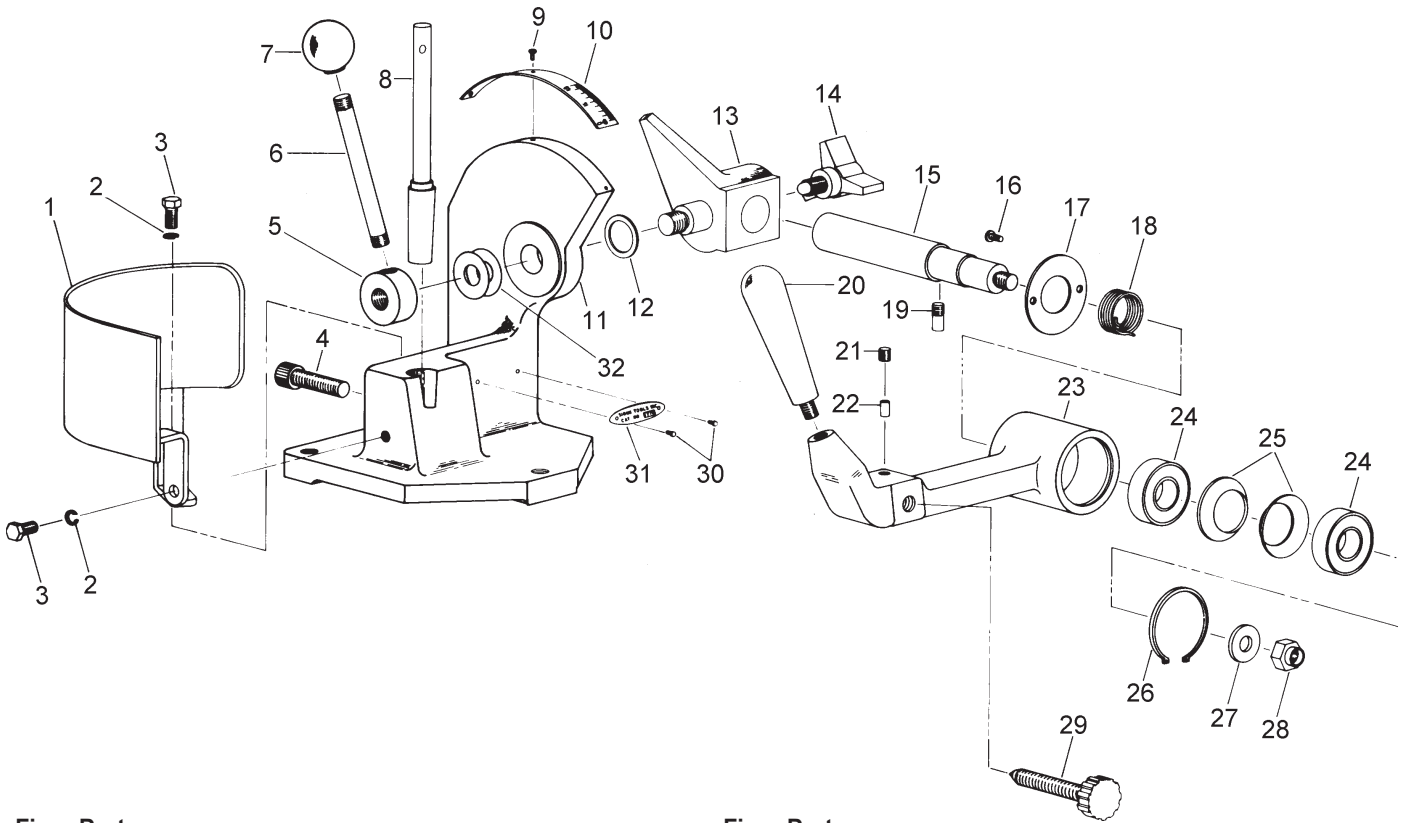


Fig. No.	Part No.	Description
1.	63370	Ass'y—Guard
2.	09748	Washer—Lock (2)*
3.	08245	Screw—Hex Hd. Cap 1/4-20 x 1/2" (2)*
4.	09086	Screw—Soc. Hd. Cap 3/8-24
5.	54973	Nut—Handle
6.	54971	Handle—Angle Selector
7.	04030	Knob—Angle Selector Handle
8.	1718A	Stem—#2 Pilot (1716)
	1718B	Stem—#3 Pilot (1716-3)
9.	09953	Screw—Drive 2 x 3/16" (3)*
10.	40162	Plate—Quadrant
11.	11465	Base (Includes. Fig. 9, 10, 30 & 31)
12.	41330	Spring—Wave Washer
13.	11467	Angle—Selector
14.	04031	Knob—Slide Adjustment
15.	54970	Shaft—Dressing Arm
16.	06325	Screw—Phil. Pan Hd. #6-32 x 5/16" (2)*
17.	35753	Cover—Dressing Arm

Fig. No.	Part No.	Description
18.	41329	Spring—Dressing Arm
19.	54977	Stud
20.	04032	Handle—Dressing Arm
21.	08001	Screw—Soc. Hd. Cup Pt. Set 1/4-20 x 1/4
22.	04253	Slug—Friction
23.	11466	Arm—Dressing
24.	10244	Bearing—Ball (2)*
25.	35751	Washer (2)*
26.	21818	Ring—Retaining
27.	35752	Washer
28.	09584	Nut—Elastic Stop 3/8-24
29.	1715	Ass'y—Diamond Adjusting Screw
30.	09954	Screw—Drive
31.	20240R	Plate—Name
32.	35765	Washer—Spacer (Order As Required)

*Order Quantity As Required

FURNISH CATALOG, SERIAL, AND MODEL NUMBER
WHEN ORDERING PARTS

SIoux TOOLS INC.

250 SNAP-ON DRIVE ■ PO BOX 1596 ■ MURPHY, NC 28906 ■ USA ■

Printed In U.S.A.

This pdf incorporates the following model numbers:

1716, 1716-3