



INSTRUCTIONS AND PARTS LIST FOR 1457ES-100 & 1457ES-106 DRILLS (SERIAL "C")

Read and understand "**Safety Instructions For Air Tools**" and these instructions before operating this tool.

AIR SUPPLY

The efficiency of the tool is dependent on the proper supply of clean dry air at 90 psig (6.2 bar). The use of a line filter, pressure regulator, and lubricator will insure maximum output and life of tools. Before connecting tool, blow out the air line to remove water and dirt which may have accumulated.

HOSE AND HOSE CONNECTIONS

Supply hose should be not less than 3/8" (10mm) I.D. Extension hoses should be at least 1/2" (13mm) I.D. Use couplings and fittings with at least 3/8" (10mm) I.D.

LUBRICATION

Use SIOUX No. 288 air motor oil. An airline lubricator, set to deliver 2 to 4 drops per minute, is recommended. If a lubricator is not used, add .04 oz. (1.2cc, 12 to 15 drops) of oil into the air inlet twice daily.

GENERAL OPERATION

This tool is equipped with a teasing throttle. By slightly depressing the trigger the chuck will rotate slowly. This is useful for starting a drill bit without first spotting with a punch. The tool will run at maximum speed when the trigger is fully depressed.

▲ WARNING



Some dust created by power sanding, sawing, grinding, drilling, and other construction activities contains chemicals known to cause cancer, birth defects or other reproductive harm.

▲ ADVERTENCIA



El polvo generado al lijar, aserrar, afilar, taladrar y realizar otras tareas de construcción contiene sustancias químicas que podrían causar cáncer, malformaciones congénitas y otras alteraciones del aparato reproductor.

SIOUX TOOLS INC.



**PARTS LIST FOR 1457ES-100 & 1457ES-106 DRILLS
(SERIAL "C")**

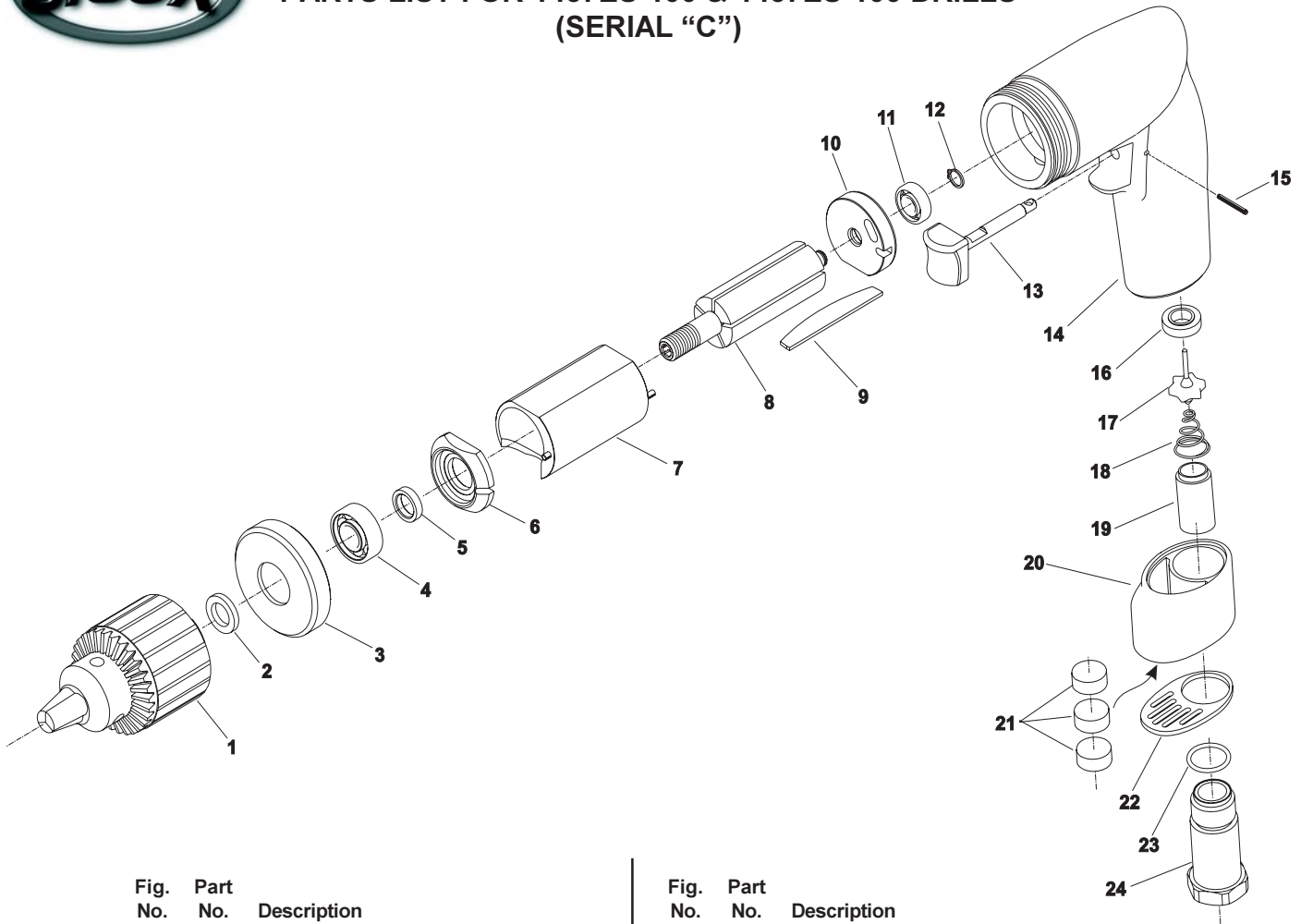


Fig. No.	Part No.	Description
1.	21019A	Chuck 1/4" (1457ES-100 only)
	30202	Chuck Key (1457ES-100 only)
	65159	Nut (1457ES-106 only) <i>To be removed by customer.</i>
2.	44122	Spacer—Chuck
3.	64187	Ring—Lock
4.	10257	Bearing—Ball
5.	44488	Spacer—Rotor
6.	64059	EndPlate—Front
7.	64057	Cylinder
8.	64185	Rotor
9.	63192	Ass'y—Rotor Vane (Set of 5)
10.	67803	EndPlate—Rear

Fig. No.	Part No.	Description
11.	10253	Bearing—Ball
12.	21491	Ring—Retainer
13.	67805	Trigger
14.	68032	Housing (Includes Figs. 13, 15)
15.	30610	Roll Pin
16.	67798	Seat—Valve
17.	67804	Valve
18.	68791	Spring
19.	68792	Trigger Spring Spacer
20.	67800B	Muffler
21.	67807	Silencer—Pad (3)*
22.	67801A	Cap-Muffler
23.	14378	Ring—"O"
24.	67819	Adapter—Inlet (Includes Fig. 21)

Items Not Shown
30506 Wrench-3/16" hex (1457ES-100 only)

*Order Quantity As Needed

FURNISH CATALOG, SERIAL, AND MODEL NUMBER WHEN ORDERING PARTS

**SIoux
TOOLS INC.**

250 SNAP-ON DRIVE ■ PO BOX 1596 ■ MURPHY, NC 28906 ■ USA ■ Phone: 800-722-7290 ■ www.siouxtools.com

Printed In U.S.A.

This pdf incorporates the following model numbers:

1457ES-100, 1457ES-106