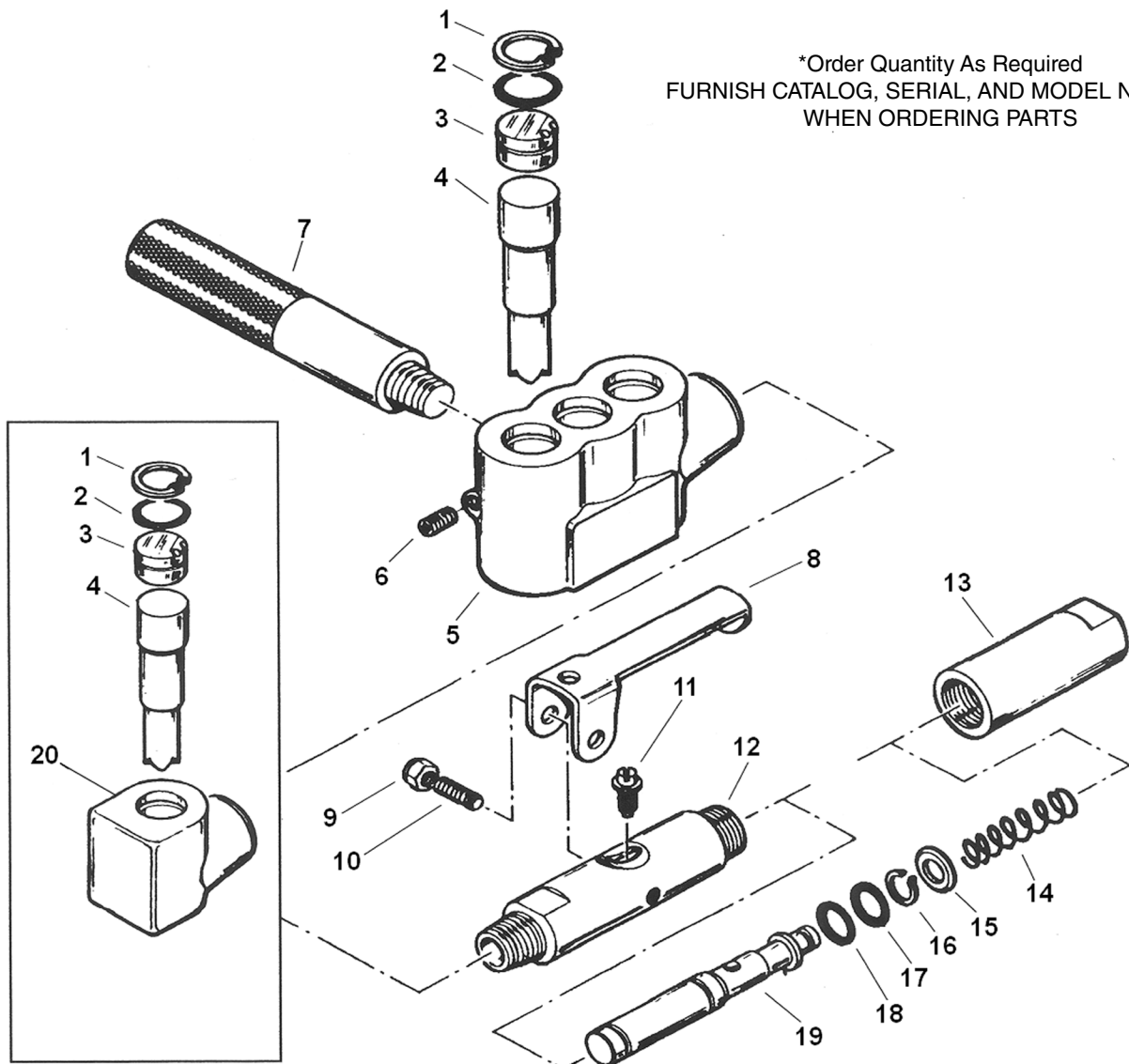




**PARTS LIST FOR
SINGLE AND TRIPLE PISTON SCALERS
SC1P AND SC3P**

Form Z679
Date 10-01/A
Page 1 of 1



*Order Quantity As Required
FURNISH CATALOG, SERIAL, AND MODEL NUMBER
WHEN ORDERING PARTS

Fig. No.	Part No.	Description
1.	602296	Retainer Ring
2.	602297	Ring Seal
3.	602298	Plug
4.	2387	Piston Standard Steel
	2388	Piston Standard Steel , 2" Longer
	2389	Piston Carbide Tipped, Chisel Point
	2390	Piston Carbide Tipped, Star Point
	2391	Piston Solid Carbide, Chisel Point
	2392	Piston Solid Carbide, Star Point
5.	602300	Body, Triple Piston Scaler (SC3P)
6.	602299	Pipe Plug (SC3P)
7.	602301	Dead Handle (SC3P)
8.	602302	Throttle Lever

Fig. No.	Part No.	Description
9.	602303	Pivot Screw Nut (2)*
10.	602304	Pivot Screw (2)*
11.	602305	Operating Stud
12.	602306	Handle Body
13.	602307	Handle Body End
14.	602308	Valve Spring
15.	602309	Washer
16.	602310	Valve Ring Seal
17.	602311	Ring Seal
18.	602312	Ring Seal
19.	602313	Handle Valve
20.	602314	Body, Single Piston Scaler (SC1P)



Snap-on Power Tools, Inc.

250 Snap-on Drive • PO Box 1596 • Murphy, NC 28906 • USA • Phone: 828-835-9765 • www.siouxtools.com

This pdf incorporates the following model numbers:

SC1PA, SC1PA-C, SC3PA, SC3PA-C