



PARTS LIST FOR
540ESC DIE GRINDER (20,000 RPM)
540ESSC DIE GRINDER (14,000 RPM)
540ESCM6 DIE GRINDER (20,000 RPM)
Serial "B"

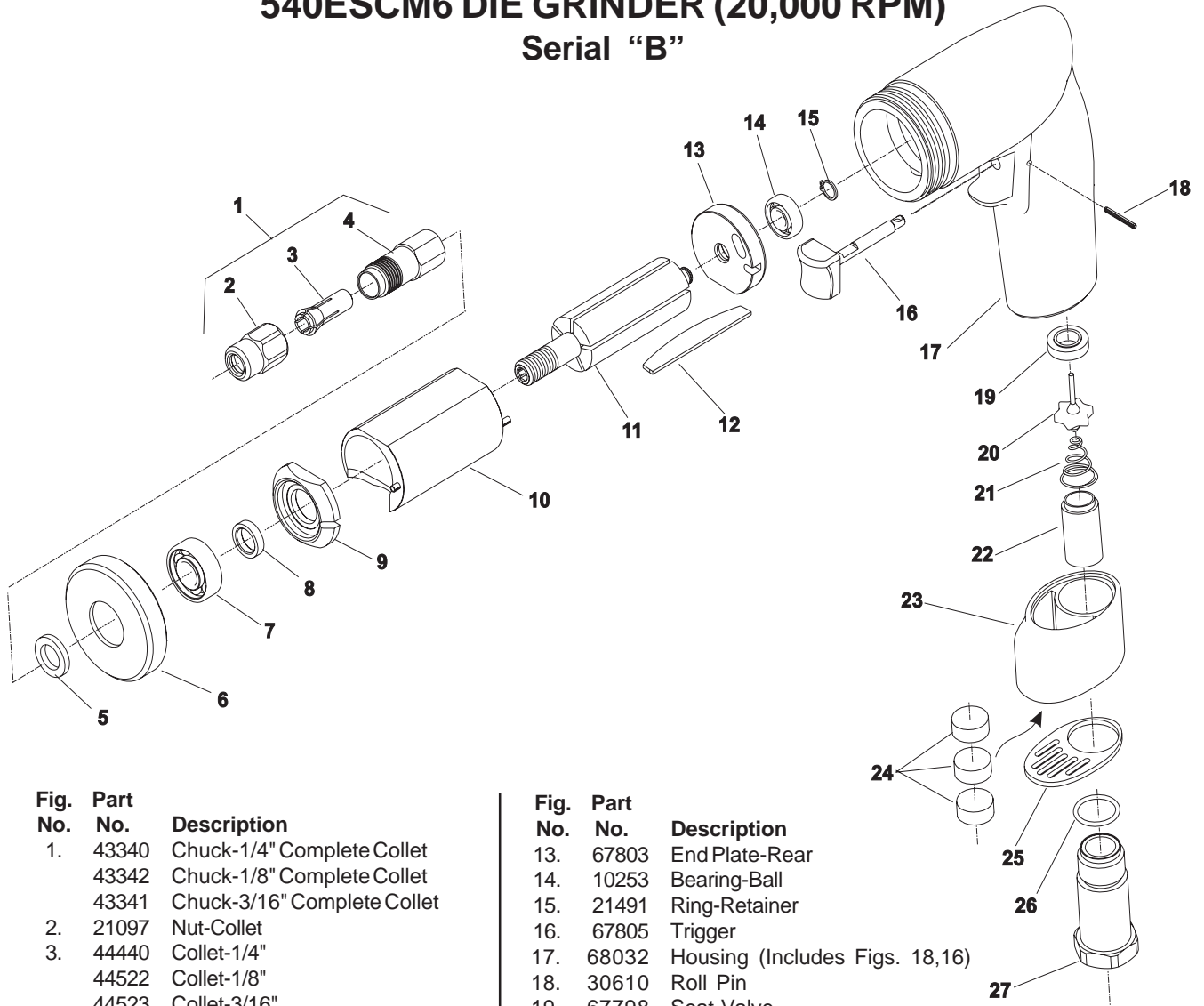


Fig. No.	Part No.	Description	
1.	43340	Chuck-1/4" Complete Collet	
	43342	Chuck-1/8" Complete Collet	
	43341	Chuck-3/16" Complete Collet	
2.	21097	Nut-Collet	
3.	44440	Collet-1/4"	
	44522	Collet-1/8"	
	44523	Collet-3/16"	
	66038	Collet-6 mm	
	4.	21096	Body-Collet
	5.	44122	Spacer-Chuck
6.	64187	Ring-Lock	
7.	10257	Bearing-Ball	
8.	44488	Spacer-Rotor	
9.	64059	End Plate-Front	
10.	64057	Cylinder (540ESC)	
	65916	Cylinder (540ESSC)	
11.	64185	Rotor	
12.	63192	Ass'y-Rotor Vane (Set of 5)	

Fig. No.	Part No.	Description
13.	67803	End Plate-Rear
14.	10253	Bearing-Ball
15.	21491	Ring-Retainer
16.	67805	Trigger
17.	68032	Housing (Includes Figs. 18,16)
18.	30610	Roll Pin
19.	67798	Seat-Valve
20.	67804	Valve
21.	68791	Spring
22.	68792	Trigger Spring Spacer
23.	67800B	Muffler
24.	67807	Silencer-Pad (3)*
25.	67801A	Cap-Muffler
26.	14378	Ring-"O"
27.	67819	Adapter-Inlet (Includes Fig. 26)

Items Not Shown

- 30465 Wrench-9/16"
 - 30466 Wrench-11/16"
 - 30506 Wrench-3/16" Allen
- *Order Quantity As Required

SIoux
TOOLS INC.

FURNISH CATALOG, SERIAL, AND MODEL
 NUMBER WHEN ORDERING PARTS

This pdf incorporates the following model numbers:

540ESC, 540ESSC, 540ESCM6