



PARTS LIST FOR 1557P DRILL BASE ATTACHMENT

Form Z665
Date 3-01/A
Page 1 of 1

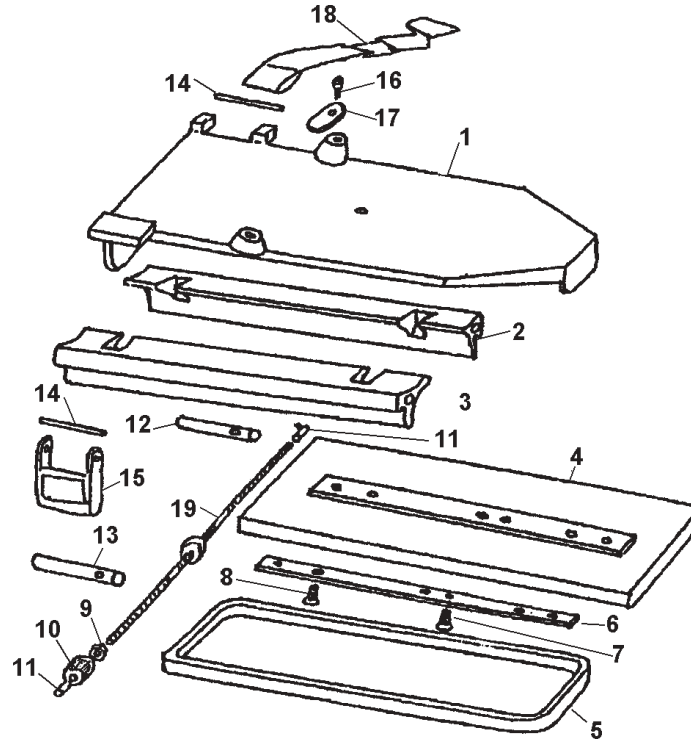


Fig. No.	Part No.	Description
	1.	601950 Rigid Base—Standard
	2.	601951 Wedge—Right Hand
	3.	601952 Wedge—Left Hand
	4.	601953 Flexible Pad
	5.	601954 Vacuum Seal
	6.	601955 Mounting Strip
	7.	601956 Vented Screw
	8.	601957 Mounting Screw (5)*
	9.	601958 Nut (2)*
	10.	601959 Knurled Adjusting Nut (2)*
	11.	601960 Protection Cap (4)*
	12.	601961 Wedge Nut—Right Hand (2)*
	13.	601962 Wedge Nut—Left Hand (2)*
	14.	601963 Roll Pin (2)*
	15.	601964 Buckle
	16.	601965 Screw (2)*
	17.	601966 Keeper Plate (2)*
	18.	601967 Safety Belt
	19.	601968 Flexible Bolt Assembly (2)*
Not Shown		
		601969 Rigid Base—Zinc
		601970 Wedge—Right Hand Zinc
		601971 Wedge—Left Hand Zinc
		601972 Mounting Strip—Steel

*Order Quantity As Required

FURNISH CATALOG, SERIAL, AND MODEL NUMBER
WHEN ORDERING PARTS

SIoux TOOLS INC.

2901 FLOYD BOULEVARD ■ PO BOX 507 ■ SIOUX CITY, IOWA 51102-0507 USA ■

Printed In U.S.A.

This pdf incorporates the following model numbers:

1557P