



PARTS LIST FOR SC41011 SCALERS

Form Z658
Date 12-00/A
Page 1 of 1

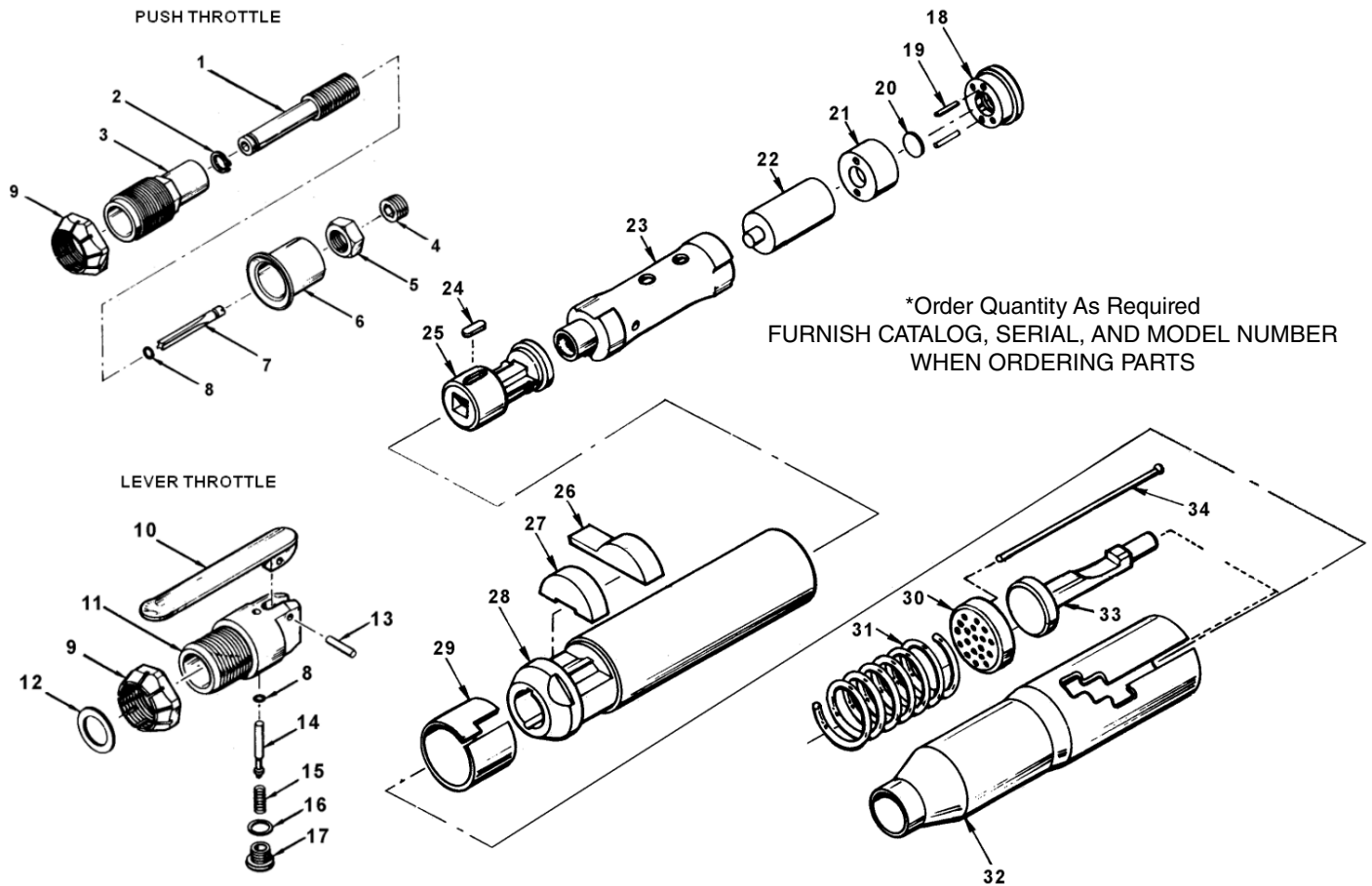


Fig. No.	Part No.	Description
1.	601850	Throttle Valve Casing
2.	601851	Snap Ring
3.	601852	Push Type Backhead
4.	601853	Socket Screw
5.	601854	Throttle Valve Casing Lock Nut
6.	601855	Control Valve Handle
7.	601856	Throttle Valve—Push Type
8.	601792	O-Ring
9.	601793	Backhead Lock Ring
10.	601794	Throttle Lever
11.	601795	Lever Type Backhead
12.	601796	Backhead Positioning Spacer
13.	601797	Throttle Lever Pin
14.	601798	Throttle Valve
15.	601799	Throttle Valve Spring
16.	601800	Throttle Valve Cap Gasket
17.	601801	Throttle Valve Cap
18.	601802	Valve Block Button
19.	601803	Dowel Pin (2)*
20.	601804	Flutter Valve
21.	601805	Valve Block
22.	601806	Plunger
23.	601807	Cylinder Sleeve

Fig. No.	Part No.	Description
24.	601808	Tool Nose Key
25.	601809	Tool Nose
26.	601810	Retainer
27.	601811	Retainer Buffer
28.	601812	Barrel
29.	601813	Retainer Clip
	601822	Retainer Clip (Accessory for Heavy Duty Use)
30.	601814	Needle Holder
31.	601815	Needle Spring
32.	601816	Round Needle Tube
33.	601817	Needle Driver
34.	2260	Needle Set of 19 (5" X .125")
	2262	Needle Set of 19 (7" X .125")

ASSEMBLIES WITH INCLUDED PARTS LISTED:

- 601818 Valve Block Assembly (Includes Fig 18-21)
- 601857 Push Throttle Backhead Assembly (Includes Fig 1-9)
- 601819 Round Needle Attachment (Includes Fig 30-34)
- 601820 Barrel Assembly (Includes Fig 23-25, 28)
- 601821 Lever Throttle Backhead Assembly (Includes Fig 8-17)

NOT SHOWN:

- 601858 Inlet Bushing 1/4" NPT—Push Throttle
- 601823 Inlet Bushing 1/4" NPT—Lever Throttle
- 601859 Lever Cover
- 601860 Needle Tube Cover



Snap-on Power Tools, Inc.

This pdf incorporates the following model numbers:

SC41011AL-C, SC41011AL-K, SC41011AL-N5, SC41011AU-C, SC41011AU-N5