



NOTE: Parts are no longer available for this tool.

The manual will continue on the next page.



INSTRUCTIONS & PARTS LIST FOR 540ESC DIE GRINDER (20,000 RPM) 540ESSC DIE GRINDER (14,000 RPM)

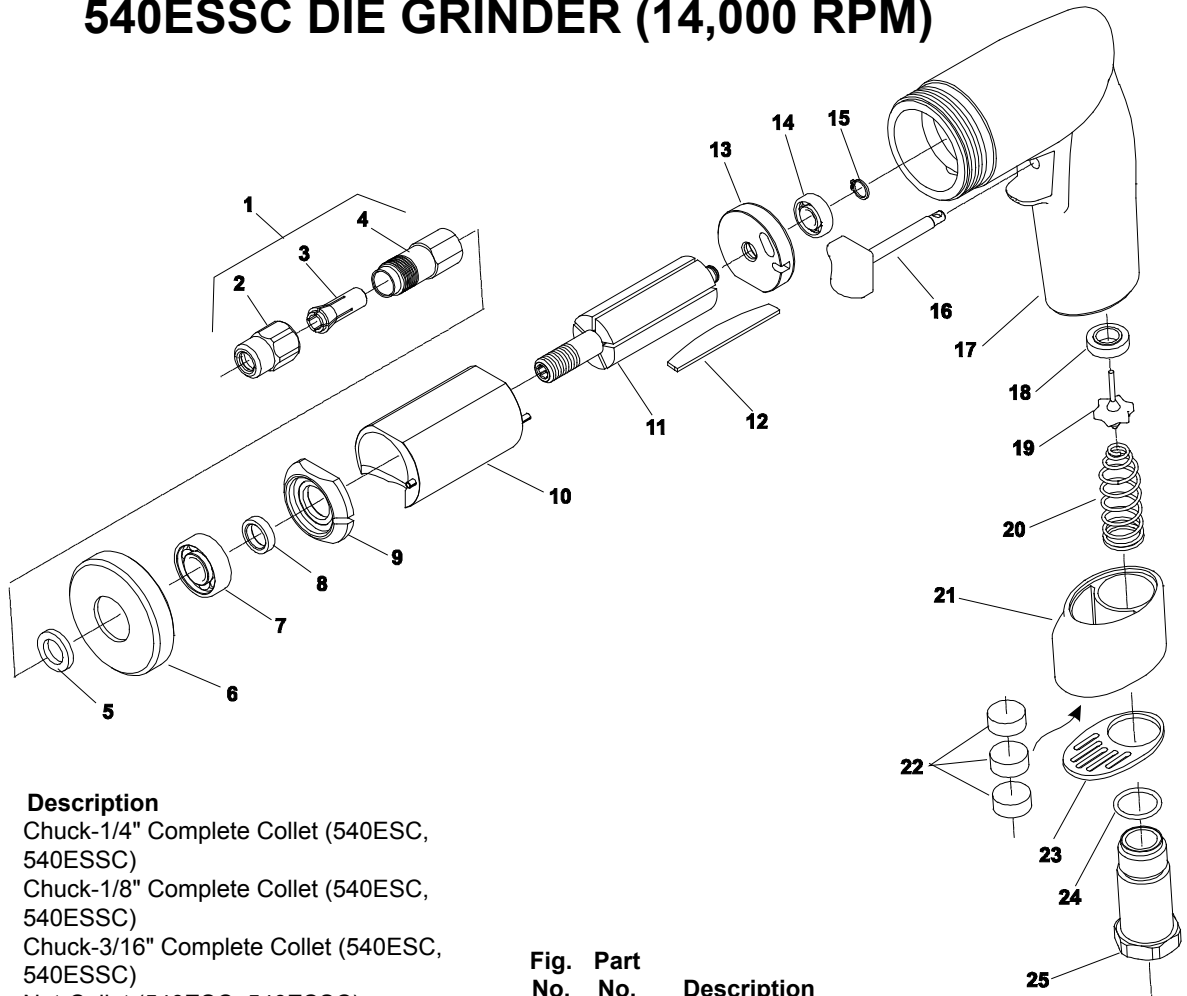


Fig. No.	Part No.	Description
1.	43340	Chuck-1/4" Complete Collet (540ESC, 540ESSC)
	43342	Chuck-1/8" Complete Collet (540ESC, 540ESSC)
	43341	Chuck-3/16" Complete Collet (540ESC, 540ESSC)
2.	21097	Nut-Collet (540ESC, 540ESSC)
3.	44440	Collet-1/4" (540ESC, 540ESSC)
	44522	Collet-1/8" (540ESC, 540ESSC)
	44523	Collet-3/16" (540ESC, 540ESSC)
4.	21096	Body-Collet (540ESC, 540ESSC)
5.	44122	Spacer-Chuck
6.	64187	Ring-Lock
7.	10257	Bearing-Ball
8.	44488	Spacer-Rotor
9.	64059	End Plate-Front
10.	64057	Cylinder (540ESC)
	65916	Cylinder (540ESSC)
11.	64185	Rotor
12.	63192	Ass'y-Rotor Vane (Set of 5)
13.	67803	End Plate-Rear
14.	10253	Bearing-Ball
15.	21491	Ring-Retainer
16.	67805	Trigger

Fig. No.	Part No.	Description
17.	68032	Housing
18.	67798	Seat-Valve
19.	67804	Valve
20.	67828	Spring
21.	67800B	Muffer
22.	67807	Silencer-Pad (3)*
23.	67801A	Cap-Muffer
24.	14378	Ring-"O"
25.	67819	Adapter-Inlet (Includes Fig. 27)

Items Not Shown		
	30465	Wrench-9/16" (540ESC, 540ESSC)
	30466	Wrench-11/16" (540ESC, 540ESSC)
	30506	Wrench-3/16" Allen (540ESC, 540ESSC)

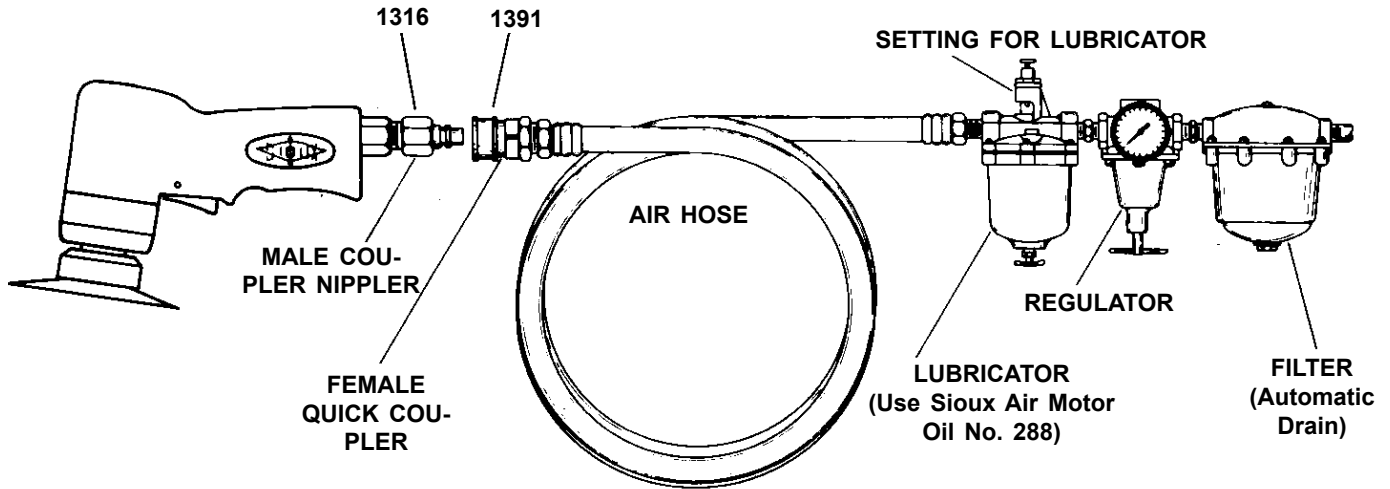
**SIoux™
TOOLS INC.**

*Order Quantity As Required

FURNISH CATALOG, SERIAL, AND MODEL
NUMBER WHEN ORDERING PARTS



INSTRUCTIONS & PARTS LIST FOR 540ESC DIE GRINDER (20,000 RPM) 540ESSC DIE GRINDER (14,000 RPM)



AIR SUPPLY

The efficiency and life of this tool depend on the proper supply of clean, dry, lubricated air at 90 lbs. P.S.I., although lower pressures may be used. The use of an air line filter, pressure regulator, and lubricator is recommended, (such as Sioux 1660).

Before connecting the tool, blow the air line to remove water and dirt, which may have accumulated. This is especially important for a new line or when the line has not been used for some time.

HOSE AND HOSE CONNECTION

The air supply hose is 3/8" I.D. If extension hose is necessary, use 1/2" hose, with couplings not less than 3/8" I.D.

LUBRICATION

An oil supply to the air motor is important. SIOUX air line lubricators are recommended. Adjust to deliver 1-2 drops of SIOUX Air Motor Oil No. 288 per minute. When air line lubricator is not used, squirt 10-16 drops directly in the air inlet twice daily.

READ CAREFULLY AND FOLLOW INSTRUCTIONS

SAFETY—SANDER

1. The operator of this tool and persons within the confines of the working area should be equipped with complete EYE AND FACE PROTECTION.
2. The SIOUX 5" Sander is shipped with 1 basic sanding disc holder plus 2 fiber backing pads to be used separately as sanding disc backing. UNDER NO CIRCUMSTANCES SHOULD MORE THAN ONE OR LARGER THAN 5" SANDING DISCS BE USED AT ONE TIME.

3. Never allow the edge of a disc to come into contact with any obstruction, sharp or otherwise, while the disc is turning.
4. DISCONNECT TOOL FROM AIR LINE BEFORE REMOVING OR INSTALLING DISCS.
5. DISCS WHICH ARE WORN, NICKED, CUPPED, RECUT, OR OUT OF BALANCE ARE DANGEROUS and should be discarded.
6. Use only good quality, flat fiber backed sanding discs with no greater diameter than 5".
7. NEVER, UNDER ANY CONDITIONS, ARE GRINDING WHEELS OF ANY KIND TO BE USED ON THIS SANDER.
8. When using this tool the SPARK STREAM SHOULD BE KEPT AWAY from the operator, all persons within the working area, and any flammable material.
9. The Sander should be OPERATED ONLY WHILE THE DISC IS IN CONTACT WITH SURFACE to be sanded.
10. CAUTION: Do not operate with air pressure over 90 P.S.I. since dangerous overspeeds can result.

SAFETY—DIE GRINDER

1. Follow safety rules 1, 4, 8, & 10 above.
2. Before placing the tool in operation, the foreman and operator are cautioned to study and follow all instructions with special emphasis on safety, and should be acquainted with and follow the requirements of the applicable section of the ANSI Safety Code B7.1 latest edition.

The air screen in the handle should be cleaned occasionally. Use of Sioux Authorized Service Centers is recommended for repair and service of this tool.

**SIOUX™
TOOLS INC.**

2901 FLOYD BOULEVARD ■ PO BOX 507 ■ SIOUX CITY, IOWA 51102-0507 USA ■

Printed In U.S.A.

This pdf incorporates the following model numbers:

540ESC, 540ESSC