

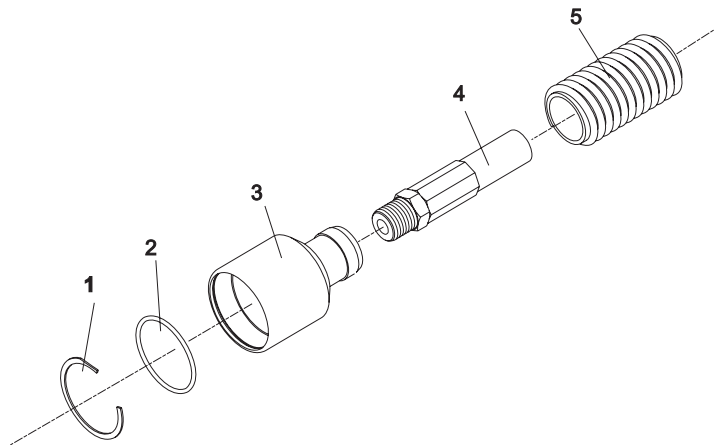


## INSTRUCTIONS FOR 3302 REMOTE EXHAUST KIT (#1 SERIES STRAIGHT HOUSING)

### KIT INCLUDES:

#### Fig. Part

No.	No.	Description
1.	66034	Ring—Retaining
2.	14371	Ring—“O”
3.	66033	Adapter—Exhaust
4.	1359	Hose—Air
5.	65723	Hose—Exhaust



### INSTALLATION INSTRUCTION:

- Remove any air couplers or air hoses attached to tool.
- Install “O”-Ring (2) in groove on outside diameter of the tool’s air diffuser.
- Install air hose (4) to inlet adapter of tool.
- Slip retaining ring (1) over tool’s air deflector and leave loose on the tool housing.
- Slip exhaust adapter (3) over air hose (4) with large end towards tool.
- Exhaust deflector (3) slips over air diffuser on tool where “O”-Ring (2) was installed and retaining ring (1) is installed in ID of exhaust deflector to retain to tool.
- Exhaust hose (5) is slipped over air hose (4) and onto exhaust adapter(3).

# SIoux TOOLS INC.

250 SNAP-ON DRIVE ■ PO BOX 1596 ■ MURPHY, NC 28906 ■ USA ■

Printed In U.S.A.

This pdf incorporates the following model numbers:

3302