



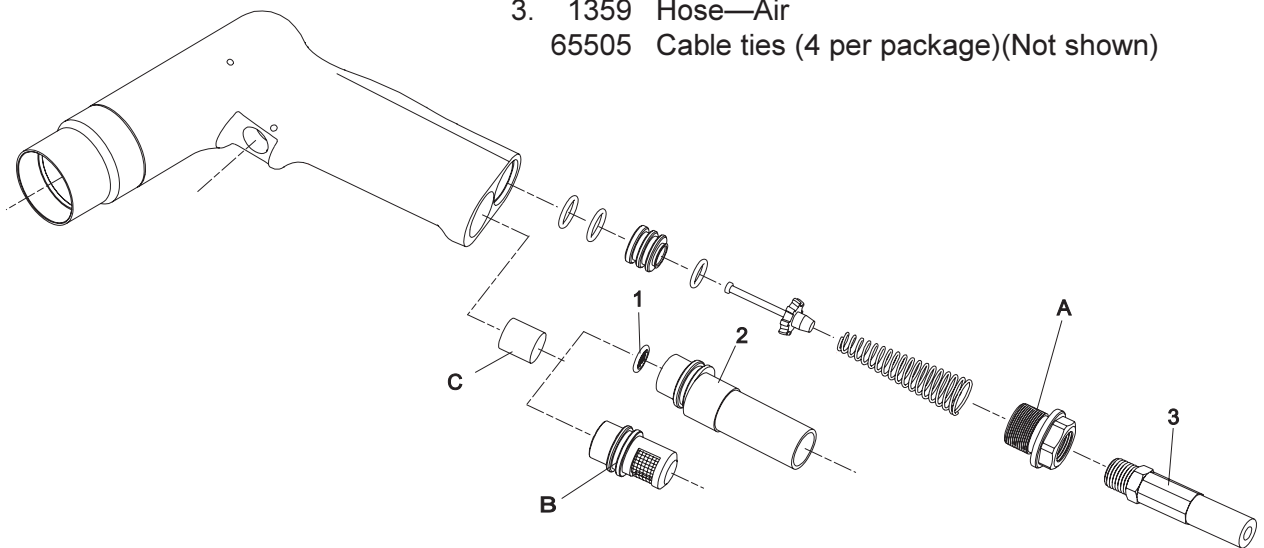
## INSTRUCTIONS FOR 3301 REMOTE EXHAUST KIT (#1 SERIES OFFSET HOUSING)

### KIT INCLUDES:

#### Fig. Part

#### No. No. Description

- |    |       |                                       |
|----|-------|---------------------------------------|
| 1. | 30462 | Screen                                |
| 2. | 66537 | Assembly—Exhaust Hose                 |
| 3. | 1359  | Hose—Air                              |
|    | 65505 | Cable ties (4 per package)(Not shown) |



### INSTALLATION INSTRUCTION:

- Remove inlet adapter (A).
- Remove silencer assembly (B) and set aside.
- Lay screen (1) on top of silencing material (C) in handle.
- Install exhaust hose assembly (2) into housing.
- Install inlet adapter (A) back into housing and tighten to 20 ft lb.
- Install air hose (3) to inlet adapter (A).
- Exhaust hose and air hose can be attached together with four cable ties supplied.

# SIoux TOOLS INC.

250 SNAP-ON DRIVE ■ PO BOX 1596 ■ MURPHY, NC 28906 ■ USA ■

Printed In U.S.A.

This pdf incorporates the following model numbers:

3301