



INSTRUCTIONS & PARTS LIST FOR 270A, 270A-2, & 270A-4 SIOUX RIVET HAMMERS (SERIAL D)

Read and understand these instructions before operating this tool.

SAVE THESE INSTRUCTIONS!

⚠ **WARNING**



When used improperly power tools can create hazardous situations.
Everyone using, maintaining, changing accessories or working near this tool must read, understand and follow these Safety Instructions!
Improperly used power tools can cause injury or death.



Power tools can cause flying particles.
Proper eye protection must be worn at all times by tool user and bystanders.
Flying particles can cause eye injury.



Power tools generate noise.
Ear protection must be worn with this tool.
Prolonged exposure to noise can cause hearing loss.



Power tools vibrate.
Excessive vibration can cause injury. If numbness, tingling, pain or whitening of the skin occurs, stop using tool and consult a physician.
Prolonged exposure to vibration can cause injury.



This tool is not insulated for contact with electric power sources.
Do not use near live electric circuits. When drilling into walls, be aware that they may have hidden electric wires.
Electric shock can cause injury.



This tool is not intended for use in an explosive atmosphere.
Do not use this tool in a flammable or explosive atmosphere.
Explosions and fire can cause injury.

Power tools can generate unexpected movement.
Keep a firm grip on the tool at all times. Be sure your body position allows you to have control of the tool at all times. Make sure your footing is secure.
Unexpected tool movement can cause injury.



Poorly maintained and lubricated tools can fail unexpectedly.
Keep tool properly lubricated and in good repair at all times. Use only Sioux Air Motor Oil No. 288. See the tool's information sheet to find out what other greases and oils to use. Do not drop the end of the hose on the floor where it will pick up dirt and transport it into the tool. See information sheet for any additional maintenance requirements.
Unexpected tool failures can cause injury.

Tools not operated at proper air pressure can operate erratically.
Do not exceed a maximum air pressure of 90 psig/6.2 bar.
Erratic operation in power tools can cause injury.

Tools left connected to the air supply while making adjustments, changing accessories, or doing any maintenance or service on tool can start unexpectedly.

Always remove tool from air supply and activate trigger to bleed air line before making any adjustments, changing accessories, or doing any maintenance or service on tool. Be sure that the chisel retaining spring (#1) is properly installed before turning the tool on.

Tools starting unexpectedly and flying chisels can cause injury.

Air hoses can come loose from power tools.

Inspect and do not use tools with loose or damaged air hoses or fittings.

Whipping air hoses can cause injury.

Loose hair, clothing, jewelry and neckwear can become entangled in the tool or chisel.

Keep loose hair away from tool and chisel. Do not wear jewelry, loose clothing, or neckwear around power tools. Keep work area clear of cleaning rags and all items that could become entangled with the tool.

Entanglements can cause injuries.

Working in poorly lit areas makes it hard to see hazards.

Keep work area well lit.

Unseen hazards can cause injury.

Children are attracted to work areas.

Keep children away. All visitors must keep a safe distance away from work area.

Children in work areas can be injured.



Snap-on Power Tools, Inc.

Unattended tools can be misused by unauthorized or untrained personnel.

Store idle tools in a dry, high or locked-up place, out of the reach of children.

Misused tools can cause injury.

Using excessive force on a tool makes it hard to control.

Do not force tool.

Hard to control tool can cause injury.

Tools with the actuator left in the "ON" position when an unexpected air pressure loss occurs can start unexpectedly when the air pressure is restored.

Release the actuator if an unexpected loss of air pressure occurs.

Unexpected tool starts can cause injury.

When disposing of a tool, do it in a way that does not harm personnel or the environment.

The use of any accessory with this tool not provided or specified by Sioux Tools can perform unpredictably.

Use only accessories provided or specified by Sioux Tools.

Tools that perform unpredictably can cause injury.

Never point the tool at any individual.



OPERATING INSTRUCTIONS

AIR SUPPLY

The efficiency of the tool is dependent on the proper supply of clean dry air at 90 psig (6.2 bar). The use of a line filter, pressure regulator, and lubricator will insure maximum output and life of tools. Before connecting tool, blow out the air line to remove water and dirt that may have accumulated.

HOSE AND HOSE CONNECTIONS

Supply hose should be not less 1/4" (6.35 mm) I.D. Extension hoses should not be less than 1/2" (13 mm) I.D. Use couplings and fittings with at least 3/8" (10 mm) I.D.

LUBRICATION

Use SIOUX No. 288 air motor oil. An airline lubricator, set to deliver 1 drop per minute, is recommended. If a lubricator is not used, Add 1/2 oz (15 ml) of oil to the air inlet every 4 hours.

GENERAL OPERATION

Install chisels or accessories by removing the retaining spring (#1) and inserting the chisel into the barrel (#3). Install the spring over the chisel and thread the spring onto the barrel. Insure that the spring is securely fastened to the barrel.

Always operate the tool with a chisel or accessory installed and firmly held against the work. Failure to do so will damage the tool.

A speed control adjusting screw is located in the trigger and is adjusted with a straight blade screwdriver.

MAINTENANCE

If tool runs erratic or lacks power, pour a small amount of petroleum solvent into the inlet. Operate to tool for a few seconds and relubricate. Periodically disassemble to clean, inspect and replace worn and broken parts. Reassemble and lubricate.

**PARTS LIST FOR 270A, 270A-2, & 270A-4
SIOUX RIVET HAMMERS
(SERIAL D)**

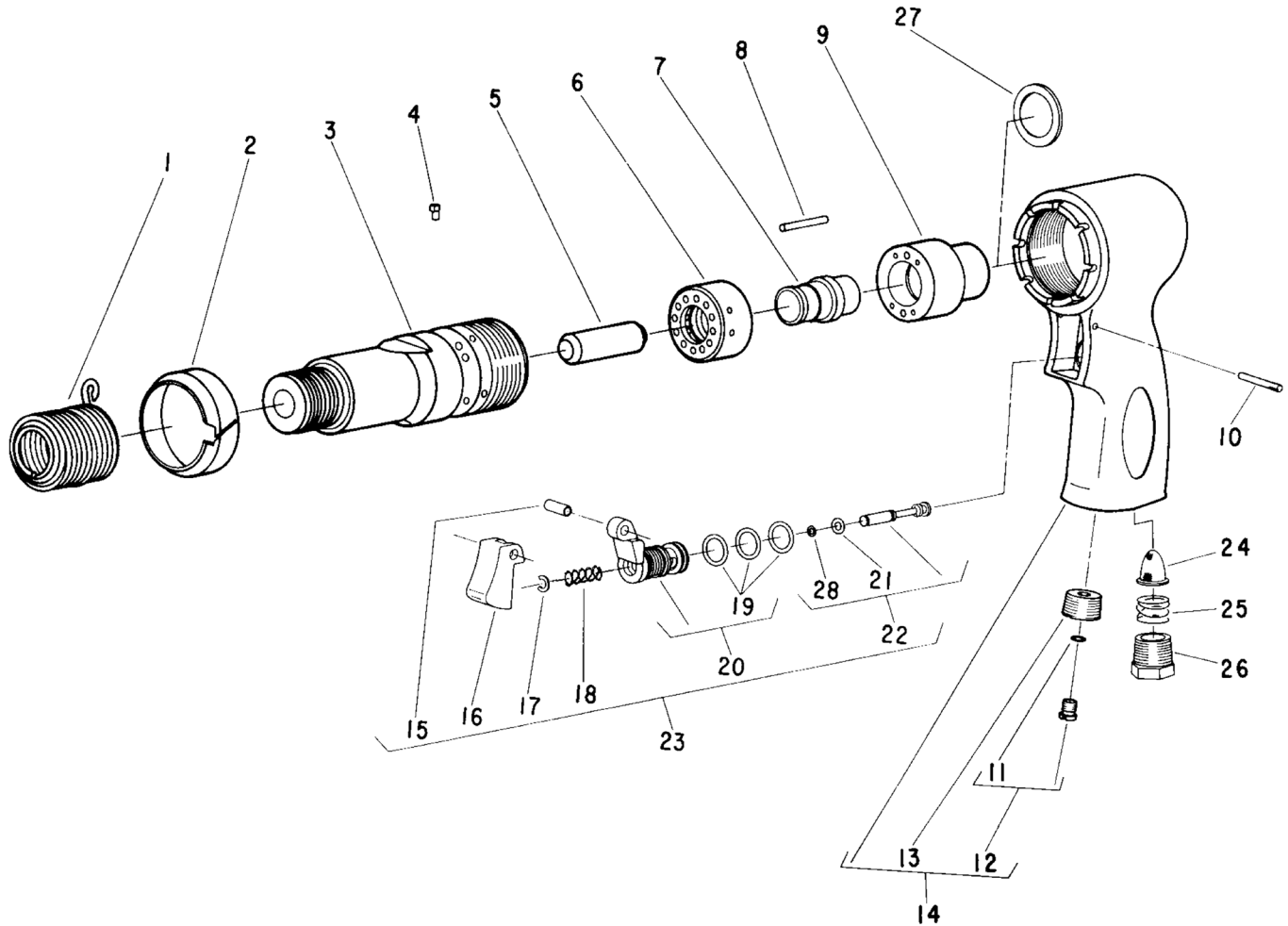


Fig. No.	Part No.	Description
1.	2207	Spring
2.	30385	Deflector—Exhaust
3.	30384	Barrel 270A
	65211	Barrel 270A-2
	65212	Barrel 270A-4
4.	30391	Pin—Barrel Lock
5.	30386	Plunger 270A, 270A-4
	65210	Plunger 270A-2
6.	65925	Cylinder—Front air
7.	65927	Sleeve—Cylinder
8.	30347	Pin-Cylinder Lock
9.	65926	Cylinder—Back Air
10.	30613	Pin
11.	14369	Ring—“O”
12.	44253	Oiler Screw
13.	44755	Insert—Oiler
14.	65368	Ass’y—Handle
	65931A	Ass’y—Handle complete (Includes Figs 10-28)
15.	44754	Bushing

Fig. No.	Part No.	Description
16.	53182	Trigger
17.	21542	Retainer Ring
18.	69504	Spring
19.	14312	Ring—“O” (3)*
20.	53258	Ass’y—Valve Body
21.	66148	Ring—“O”
22.	65928	Ass’y—Valve
23.	SP65930H	Ass’y—Teasing Throttle Valve
24.	33993	Screen—Air
25.	21417	Spring
26.	44100	Bushing—Reducing
27.	35116	Washer
28.	14349	Ring—“O”

*Order Quantity As Required
FURNISH CATALOG, SERIAL, AND MODEL NUMBER
WHEN ORDERING PARTS



⚠ WARNING



Some dust created by power sanding, sawing, grinding, drilling, and other construction activities contains chemicals known to cause cancer, birth defects or other reproductive harm.

⚠ ADVERTENCIA



El polvo generado al lijar, aserrar, afilar, taladrar y realizar otras tareas de construcción contiene compuestos químicos que podrían provocar cáncer, malformaciones congénitas y otras alteraciones del aparato reproductor.



Snap-on Power Tools, Inc.

250 Snap-on Drive • PO Box 1596 • Murphy, NC 28906 • USA • Phone: 828-835-9765 • www.siouxtools.com

Form Z489

This pdf incorporates the following model numbers:

270A, 270A-2, 270A-4