



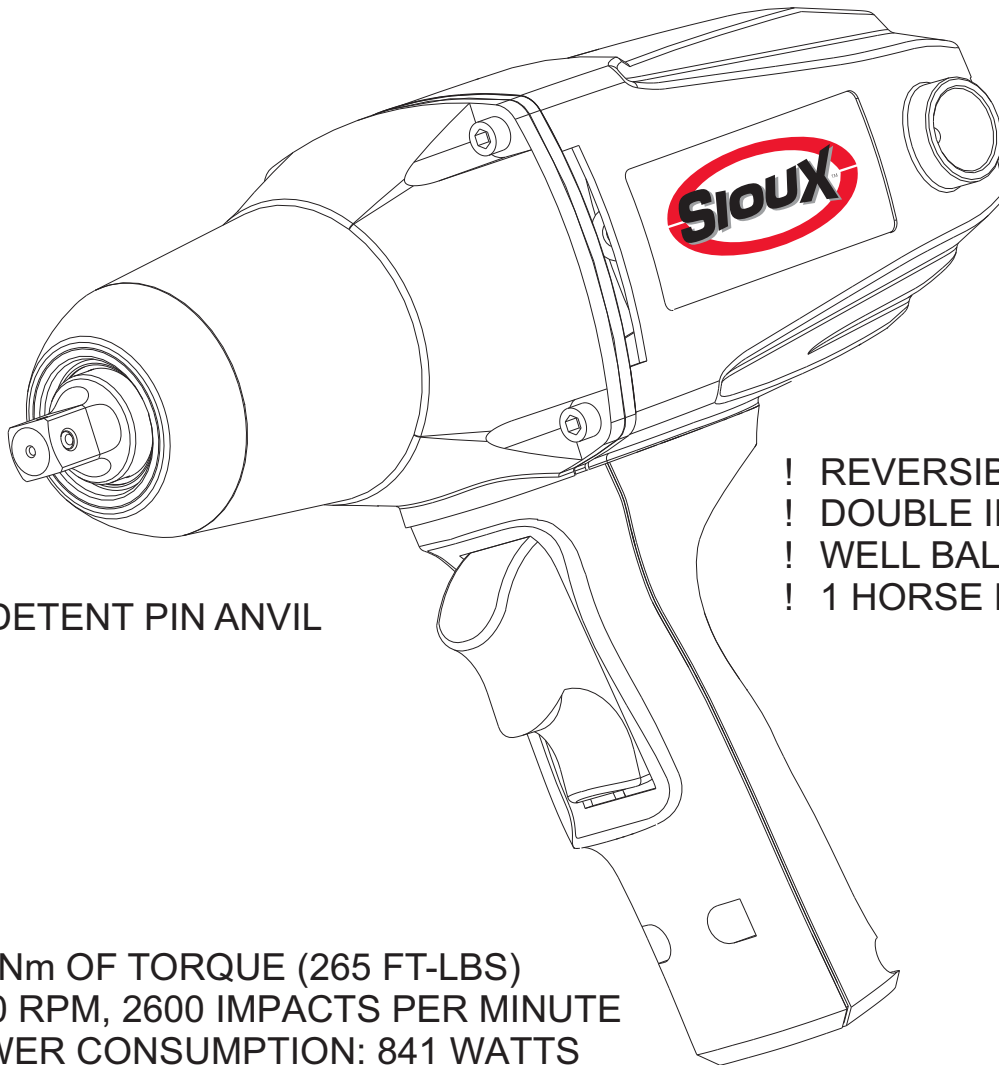
**NOTE: Parts are no longer available for this tool.**

**The manual will continue on the next page.**



# NO. 8500J

## 1/2" ELECTRIC IMPACT WRENCH



1/2" DETENT PIN ANVIL

- ! REVERSIBLE
- ! DOUBLE INSULATED
- ! WELL BALANCED
- ! 1 HORSE POWER MOTOR

- ! 359 Nm OF TORQUE (265 FT-LBS)
- ! 2000 RPM, 2600 IMPACTS PER MINUTE
- ! POWER CONSUMPTION: 841 WATTS
- ! POWER OUTPUT: 746 WATTS
- ! WEIGHT: 3.46 KG (7 LBS 10 OZ)
- ! LENGTH: 300MM (11 15/16 INCHES)
- ! 220V, 4.25 AMP

**SIoux™**  
**TOOLS INC.**

2901 FLOYD BOULEVARD ■ PO BOX 507 ■ SIOUX CITY, IOWA 51102-0507 USA ■  
FAX 712-252-9034                      PHONE 712-252-0525

Z423J  
12-97  
PRINTED IN USA

This pdf incorporates the following model numbers:

8500J