



NOTE: Parts are no longer available for this tool.

The manual will continue on the next page.



INSTRUCTIONS & PARTS LIST FOR 1309 AIR JIG SAW

AIR SUPPLY

The efficiency and life of this tool depend on the proper supply of clean, dry, lubricated air at about 90 lbs. P.S.I., although higher or lower pressures may be used. The use of an air line filter, pressure regulator and lubricator is recommended.

Before connecting the tool, blow the air line to remove water and dirt which may have accumulated. This is especially important for a new line or when the line has not been used for some time.

HOSE AND HOSE CONNECTION

The air supply hose is 3/8" I.D. If extension hose is necessary, use 1/2" hose, with couplings not less than 3/8" I.D.

LUBRICATION

An oil supply to the air motor is important. SIOUX air line lubricators are recommended. Adjust to deliver 2 drops of SIOUX Air Motor Oil No. 288 per minute. When air line lubricator is not used, place 10-15 drops of SIOUX No. 288 oil into the air inlet twice daily.

If saw head had been disassembled for service, use SIOUX #1198 Grease (1 oz.) when assembling and coat all internal parts with grease.

OPERATION OF THE AIR POWER UNIT

The tool is equipped with a speed control located in the housing on the opposite side of the lever. The speed control is turned by using the Allen Wrench (4mm or 5/32") supplied with the saw.

OPERATION OF THE SAW HEAD

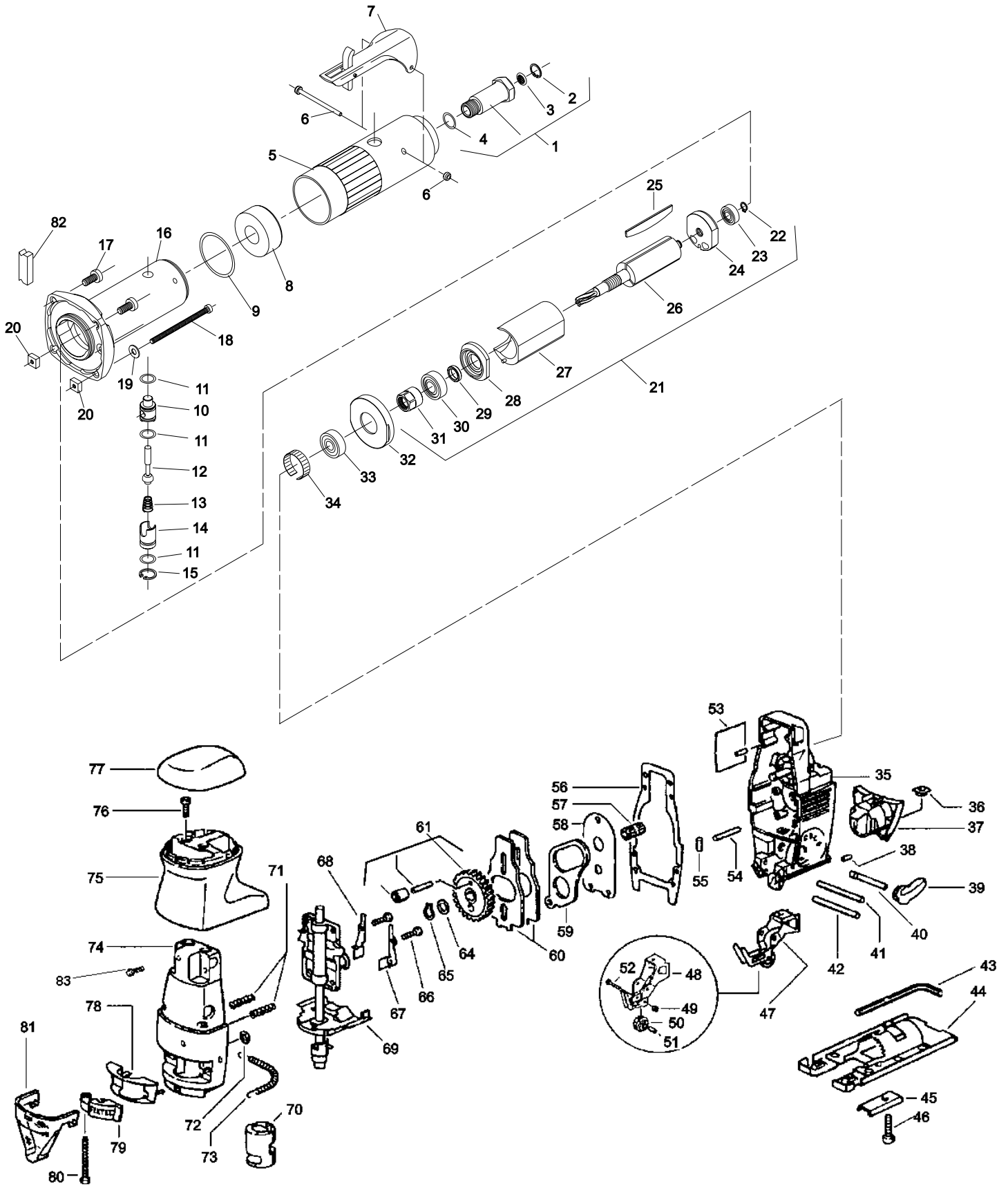
The jig saw has a stroke length of 1" and the cutting capacity is as follows: Wood—2 3/8", Steel—1/4", Soft Metal—3/4", Hard Aluminum—3/8" and Ceramic—3/8".

See the placard on the side of the saw head for orbital setting for various materials. Use "0" setting when plunge cutting.

When inserting the saw blade, be sure the blade is properly seated in the support roller. To insert or remove a blade, lift the blade release lever at the front of the head. Use only blades approved for use in Fixtec saws.

Important: The support roller and holder should be oiled periodically.

**SIOUX
TOOLS INC.**





GENERAL SAFETY INSTRUCTIONS FOR AIR TOOLS

1. **KEEP WORK AREA CLEAN:** Cluttered areas and benches invite accidents.
2. **AVOID DANGEROUS ENVIRONMENT:** Keep work-area well lit,
3. **KEEP CHILDREN AWAY:** All visitors should be kept safe distance from work area.
4. **STORE IDLE TOOLS:** When not in use, tools should be stored in dry, high or locked-up place-out of reach of children.
5. **DON'T FORCE TOOL:** It will work best and safest at the designed rate.
6. **RIGHT TOOL USE:** Don't force small tool to do the job of a heavy-duty tool.
7. **WEAR PROPER APPAREL:** No loose clothing or jewelry to get caught in moving parts.
8. **USE SAFETY GLASSES:** Use safety glasses with most tools. Also face or dust mask if it is a cutting operation.
9. **SECURE WORK:** Use clamps or vise to hold work. It's safer than using your hand and it allows freedom of both hands to hold tool.
10. **DON'T OVERREACH:** Keep proper footing and balance at all times.
11. **MAINTAIN TOOLS WITH CARE:** Keep tools sharp and clean for best and safest performance. Follow instructions for lubricating and changing accessories.
12. **DISCONNECT TOOLS:** When not in use: before servicing; when changing accessories such as blades, bits, cutter, etc.
13. **REMOVE ADJUSTING KEYS AND WRENCHES:** Form habit of checking to see that keys and adjusting wrenches are removed from tool before turning it on.
14. **CAUTION:** The use of an accessory with this tool not provided or specified by SIOUX TOOLS may be hazardous.

**SIoux
TOOLS INC.**

2901 FLOYD BOULEVARD ■ PO BOX 507 ■ SIOUX CITY, IOWA 51102-0507 USA ■

Printed In U.S.A.

This pdf incorporates the following model numbers:

1309