



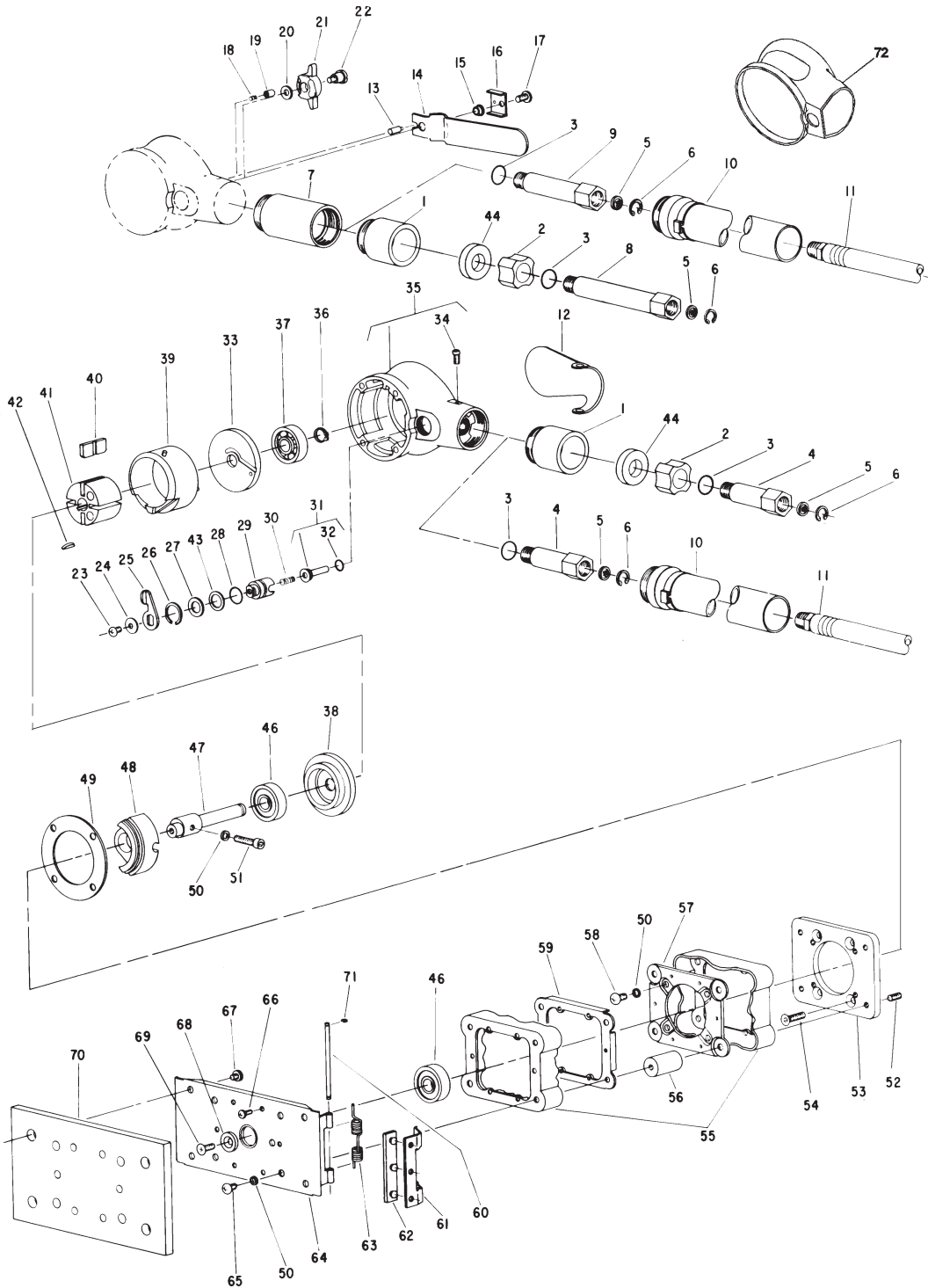
NOTE: Parts are no longer available for this tool.

The manual will continue on the next page.



PARTS LIST FOR ORBITAL SANDER 702 & 730 INCLUDES H, T, & X SUFFIXES (SERIAL "A")

Form Z346
Date 8-96



SIoux TOOLS INC.

250 SNAP-ON DRIVE ■ PO BOX 1596 ■ MURPHY, NC 28906 ■ USA ■

Printed In U.S.A.



PARTS LIST FOR ORBITAL SANDER 702 & 730 INCLUDES H, T, & X SUFFIXES (SERIAL "A")

| Fig. No. | Part No. | Description |
|----------|----------|--|
| 1. | 64129 | Housing—Muffler |
| 2. | 04328 | Spacer |
| 3. | 14309 | Ring—"O" (1/16 x 1/2 x 5/8) |
| 4. | 64131 | Adapter—Intake |
| 5. | 30463 | Screen |
| 6. | 21541 | Ring—Retainer |
| 7. | 64130 | Handle |
| 8. | 64124 | Adapter—Intake (Long) |
| 9. | 64137 | Adapter—Intake (Remote Exhaust) |
| 10. | 63561 | Ass'y—Exhaust Tube |
| 11. | 1376 | Ass'y—Air Hose |
| 12. | 35633 | Lever—Valve (Palm Grip) |
| 13. | 54130 | Pin |
| 14. | 35842 | Lever—Valve |
| 15. | 64143 | Sleeve |
| 16. | 35851 | Cover |
| 17. | 07225 | Screw—Phil. Pan Hd. #10-32 x 3/8 |
| 18. | 21392 | Spring |
| 19. | 44753 | Plunger—Location |
| 20. | 35234 | Washer (4)* [(5)* When Used With Thumb Throttle] |
| 21. | 11603 | Throttle—Thumb |
| 22. | 44763 | Screw—Shoulder |
| 23. | 06672 | Screw—Phil. Rd. Hd. #8-32 x 1/4" |
| 24. | 41336 | Washer—Belleville |
| 25. | 35634 | Lever—Output Control |
| 26. | 21826 | Ring—Retaining |
| 27. | 25680 | Washer |
| 28. | 14312 | Ring—"O" (1/16 x 7/16 x 9/16) |
| 29. | 64132 | Control—Output |
| 30. | 21211 | Spring |
| 31. | 66637 | Stem—Valve |
| 32. | 65289 | Ring—"O" (1/16 x 1/4 x 3/8) |
| 33. | 66334 | Plate—Upper End |
| 34. | 06205 | Screw—Fillister Hd. #6-32 x 5/16 (2)* Taptite |
| 35. | 66339 | Housing [Also Includes (2) Fig. 34 & (4) Fig. 54] |
| 36. | 21545 | Ring—Retaining |
| 37. | 10113 | Bearing—Ball |
| 38. | 64126 | Plate—End |
| 39. | 64125 | Cylinder |

| Fig. No. | Part No. | Description |
|----------|----------|---|
| 40. | 33597 | Vane—Rotor (Set of 4) |
| 41. | 66327 | Rotor |
| 42. | 30001 | Key—Woodruff |
| 43. | 41338 | Washer—Wave |
| 44. | 05049 | Pad—Silencer |
| 46. | 10210 | Bearing—Ball (2)* |
| 47. | 64138 | Spindle—Rotor |
| 48. | 11371 | Counterweight |
| 49. | 05038 | Gasket (2)* |
| 50. | 09724 | Washer—Lock #10 (9)* |
| 51. | 07093 | Screw—Hex Socket Hd. Cap #10-32 X 7/8 |
| 52. | 07176 | Screw—Hex Socket Cup Pt. Set #10-32 x 1/2 (4)* |
| 53. | 64139 | Plate—Adapter |
| 54. | 07262 | Screw—Flat Hd. C' Sunk #10-32 x 5/8 (Taptite)(4)* |
| 55. | 14332 | Boot—Flexible |
| 56. | 43682 | Mounting—Flexible (Set of 4) |
| 57. | 35105 | Plate—Motor Retainer |
| 58. | 07225 | Screw—Phil. Pan Hd. #10-32 x 3/8 (4)* |
| 59. | 33558 | Ass'y—Boot Retainer |
| 60. | 64144 | Pin (2)* [Includes (2) Fig. 71] |
| 61. | 35853 | Clamp (2)* |
| 62. | 04330 | Pad (2)* |
| 63. | 41337 | Spring—Torsion (2)* |
| 64. | 63571 | Ass'y—Sole Plate |
| 65. | 07208 | Screw—Phil. Rd. Hd. Cone Pt. #10-32 x 3/8 (4)* |
| 66. | 06240 | Screw—Phil. Rd. Hd. Sems #6-32 x 3/8 (6)* |
| 67. | 07203 | Screw—Phil. Rd. Hd. Sems #10-32 x 1/4 (4)* |
| 68. | 34970 | Washer |
| 69. | 07169 | Screw—Phil. Flat Hd. #10-32 x 1/2 |
| 70. | 63566 | Ass'y—Rubber Pad (3 2/3" x g")(630) |
| | 33559 | Ass'y—Rubber Pad (3" x 8")(602) |
| 71. | 21499 | Ring—Retaining (2)* |
| 72. | 66667 | Boot—Rubber (702, 702X, 730, 730X) |

*Order Quantity As Required

FURNISH CATALOG, SERIAL, AND MODEL NUMBER
WHEN ORDERING PARTS

SIOUX TOOLS INC.

250 SNAP-ON DRIVE ■ PO BOX 1596 ■ MURPHY, NC 28906 ■ USA ■

Printed In U.S.A.

This pdf incorporates the following model numbers:

702, 730