



**NOTE: Parts are no longer available for this tool.**

**The manual will continue on the next page.**



PARTS LIST FOR AIR TAPPER UNITS

Form Z318  
Date 8-96

**SIoux 66216 (WILTON T10269)(400 RPM)**  
**SIoux 66217 (WILTON T10270)(800 RPM)**  
**SIoux 66218 (WILTON T10273)(1000 RPM)**

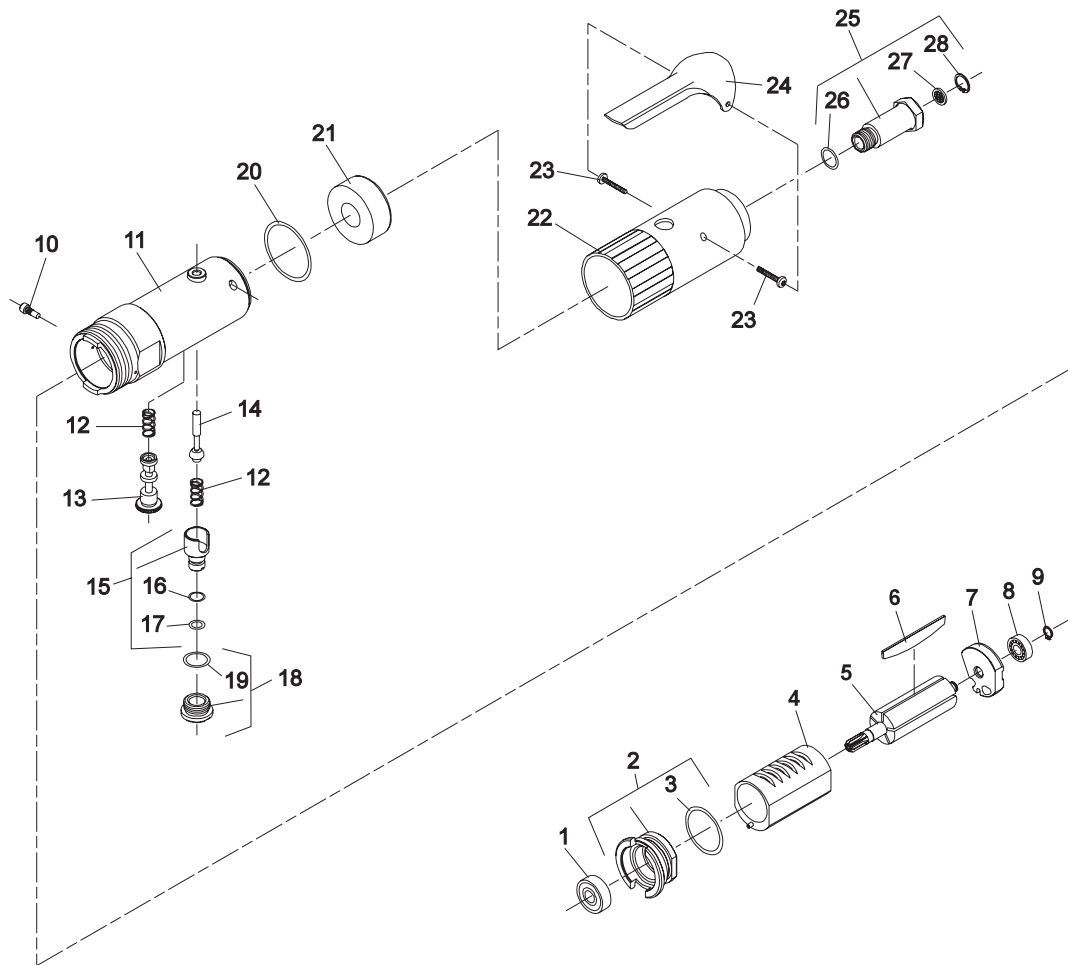


Fig. No.	Part No.	Description
1.	10220	Bearing—Ball
2.	13550	End Plate—Front
3.	14342	Ring—"O"
4.	64108	Cylinder
5.	54860	Rotor (6-Tooth)(800, 1000 RPM)
	54861	Rotor (8-Tooth)(400 RPM)
6.	63192	Assembly—Rotor Vane (Set of 5)
7.	10552	End Plate—Rear
8.	10230	Bearing—Ball
9.	21491	Ring—Retainer
10.	06254	Screw—Spool Retaining
11.	64035	Housing—Lever
12.	21427	Spring (2)*
13.	64038	Spool—Valve
	64097	Spool—Locking Valve
14.	63241	Assembly—Valve
15.	54843	Speed—Control
16.	14394	Ring—"O"

Fig. No.	Part No.	Description
17.	14291	Ring—"O"
18.	54844	Retainer—Speed Control
19.	14309	Ring—"O"
20.	14333	Ring—"O"
21.	40116	Material—Exhaust
22.	04041	Cover—Housing
23.	65499	Screw—Pan Hd. (Self-Tap)(#6-32x3/4)(2)*
24.	35737	Lever
25.	54837	Adapter—Intake
26.	14312	Ring—"O"
27.	30463	Screen
28.	21541	Ring—Retainer

**COMPLETE ASSEMBLY**

- 63443 Assembly—Housing (Includes Figs. 10-28)
- 63375 Assembly—Motor (6 Tooth)(800, 1000 RPM) (Includes Figs. 1 thru 9)
- 63376 Assembly—Motor (8 Tooth)(400 RPM) (Includes Figs. 1 thru 9)

\*Order Quantity As Needed

Furnish Catalog, Serial Number, and Model Number  
When Ordering Parts

**SIoux**  
**TOOLS INC.**

250 SNAP-ON DRIVE ■ PO BOX 1596 ■ MURPHY, NC 28906 ■ USA ■

Printed In U.S.A.



**PARTS LIST FOR AIR TAPPER UNITS**  
**SIOUX 66216 (WILTON T10269)(400 RPM)**  
**SIOUX 66217 (WILTON T10270)(800 RPM)**  
**SIOUX 66218 (WILTON T10273)(1000 RPM)**

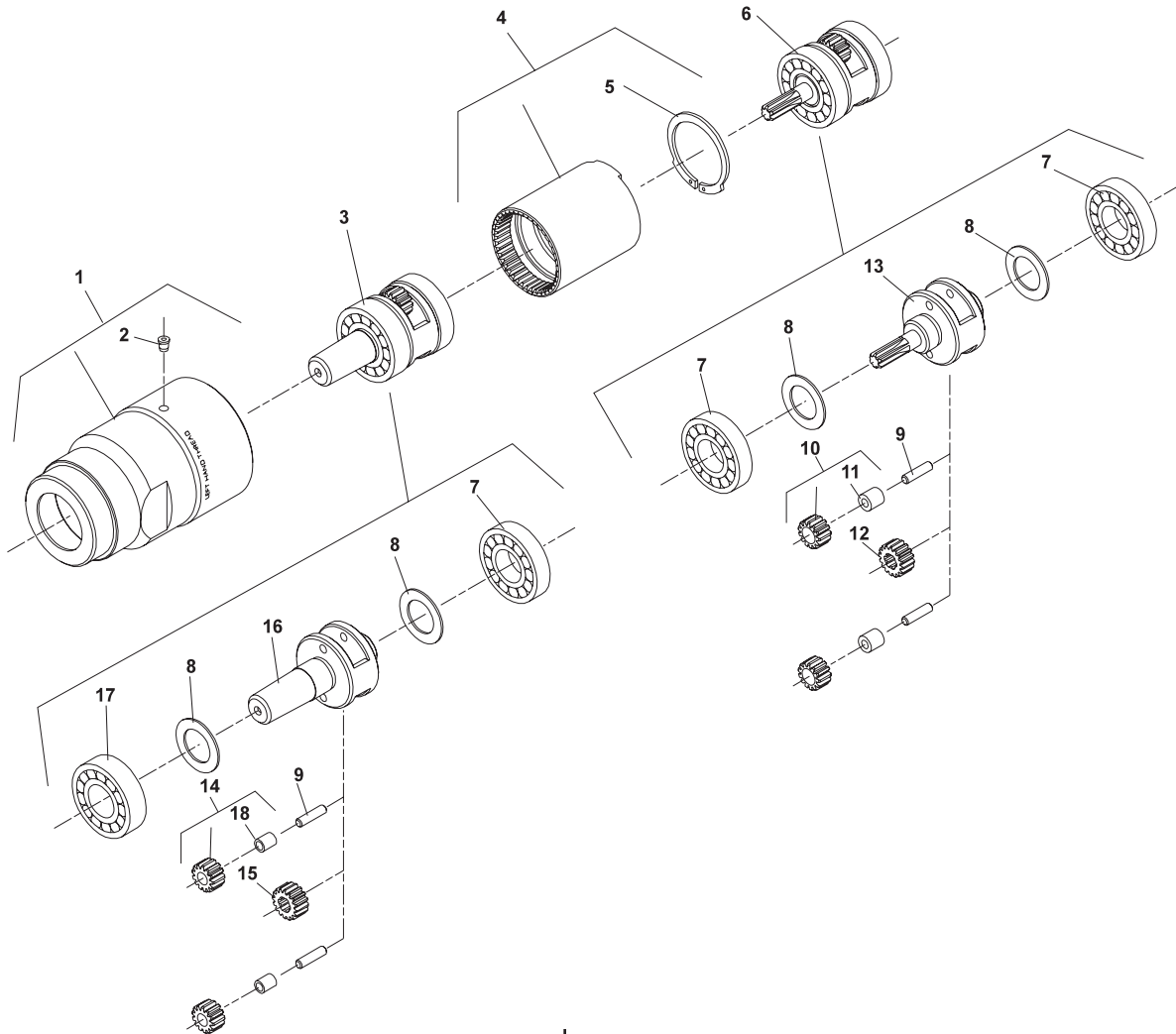


Fig. No.	Part No.	Description
1.	66213	Case—Gear
2.	30375	Fitting—Grease
3.	65729	Assembly—Planetary Reduction (400, 800 RPM)
	65731	Assembly—Planetary Reduction (1000 RPM)
4.	19266	Gear—Ring
5.	21510	Ring—Retaining
6.	63386	Assembly—Planetary Reduction (400 RPM)
	63377	Assembly—Planetary Reduction (800 RPM)
	63392	Assembly—Planetary Reduction (1000 RPM)
7.	10203	Bearing—Ball (3)*
8.	25439	Washer (4)*
9.	30062	Pin (4)*
10.	19314	Assembly—Gear & Bearing (2)*(400 RPM)
	19331	Assembly—Gear & Bearing (2)*(800, 1000 RPM)
11.	10040	Needle—Bearing (2)*

Fig. No.	Part No.	Description
12.	19267	Gear—Pinion (800, 1000 RPM)
13.	64160	Gear—Carrier (400 RPM)
	64159	Gear—Carrier (800 RPM)
	22702	Gear—Carrier (1000 RPM)
14.	19314B	Assembly—Gear & Bearing (2)*(400, 800 RPM)
	19331B	Assembly—Gear & Bearing (2)*(1000 RPM)
15.	19267	Gear—Pinion (1000 RPM)
16.	65728	Carrier—Gear (400, 800 RPM)
	65730	Carrier—Gear (1000 RPM)
17.	10228	Bearing—Ball
18.	10515	Bushing (2)*(1000 RPM)
	66886	Bushing—Oilite (2)*(400, 800 RPM)

\*Order Quantity As Needed

Furnish Catalog, Serial Number, and Model Number  
When Ordering Parts

**SIOUX  
TOOLS INC.**

250 SNAP-ON DRIVE ■ PO BOX 1596 ■ MURPHY, NC 28906 ■ USA ■

Printed In U.S.A.

This pdf incorporates the following model numbers:

66216, 66217, 66218