



**NOTE: Parts are no longer available for this tool.**

**The manual will continue on the next page.**



## PARTS LIST FOR 66143 ADJUSTABLE CLUTCH ASSEMBLY (LEVER START)

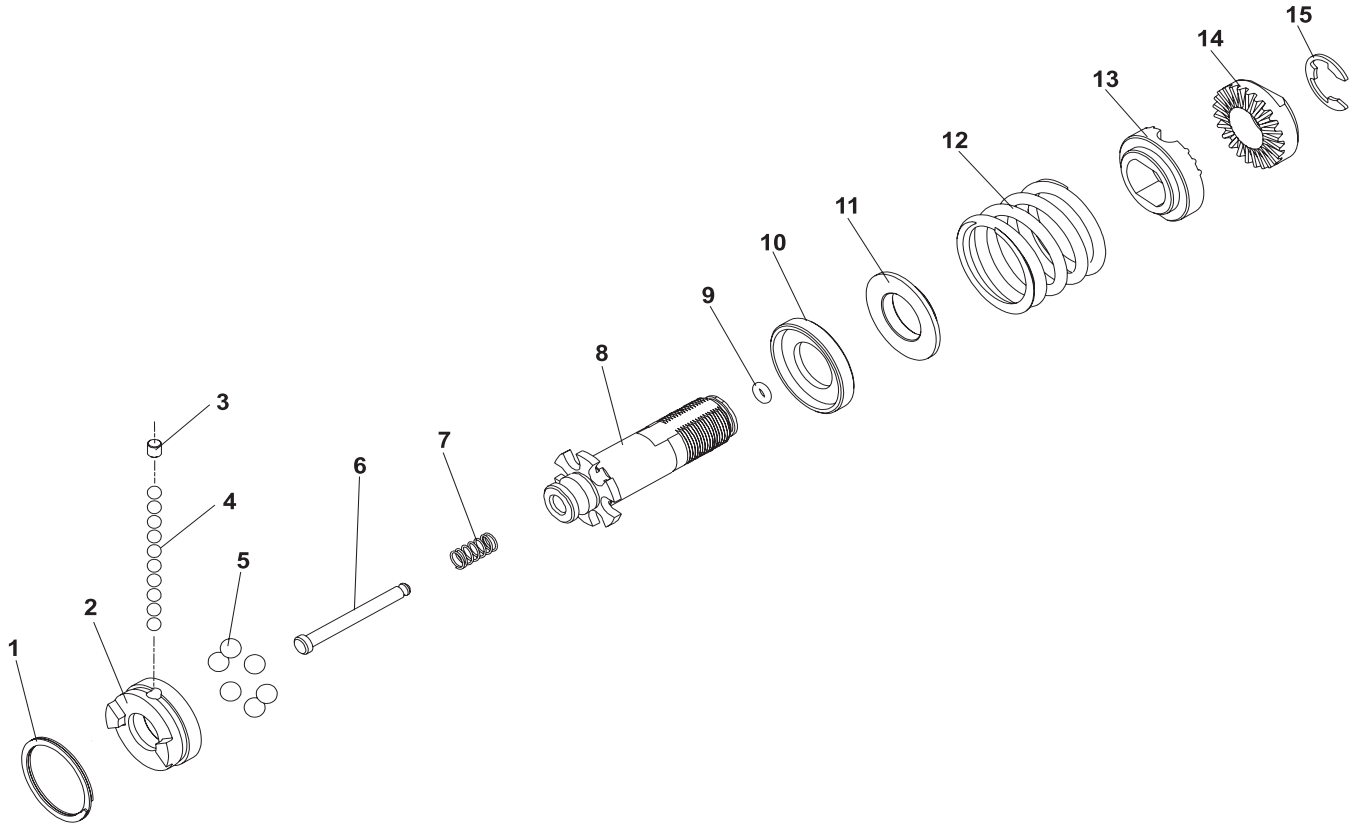


Fig. No.	Part No.	Description
1.	66063	Ring—Retaining
2.	66136	Jaw—Clutch
3.	66055	Plug
4.	10303	Ball—1/8" Dia. (10)*
5.	10306	Ball—3/16" Dia. (6)*
6.	66133	Plunger
7.	41218	Spring—Compression
8.	66134	Spindle—Clutch
9.	04209	Ring—"O"
10.	66054	Race—Thrust
11.	66053	Washer—Thrust
12.	66048	Spring (Silver)(800, 1100 RPM)(30-50 in-lb)
	66049	Spring (Blue)(1500 RPM)(15-35 in-lb)
	66050	Spring (Green)(2800 RPM)(2-20 in-lb)
13.	66047	Washer—Adjustment
14.	66046	Nut—Adjustment
15.	21493	Ring—Retaining

\*Order Quantity As Needed

# SIOUX TOOLS INC.

250 SNAP-ON DRIVE ■ PO BOX 1596 ■ MURPHY, NC 28906 ■ USA ■

Printed In U.S.A.

This pdf incorporates the following model numbers:

66143