



NOTE: Parts are no longer available for this tool.

The manual will continue on the next page.



PARTS LIST FOR 66142 ADJUSTABLE CLUTCH ASSEMBLY (PUSH TO START)

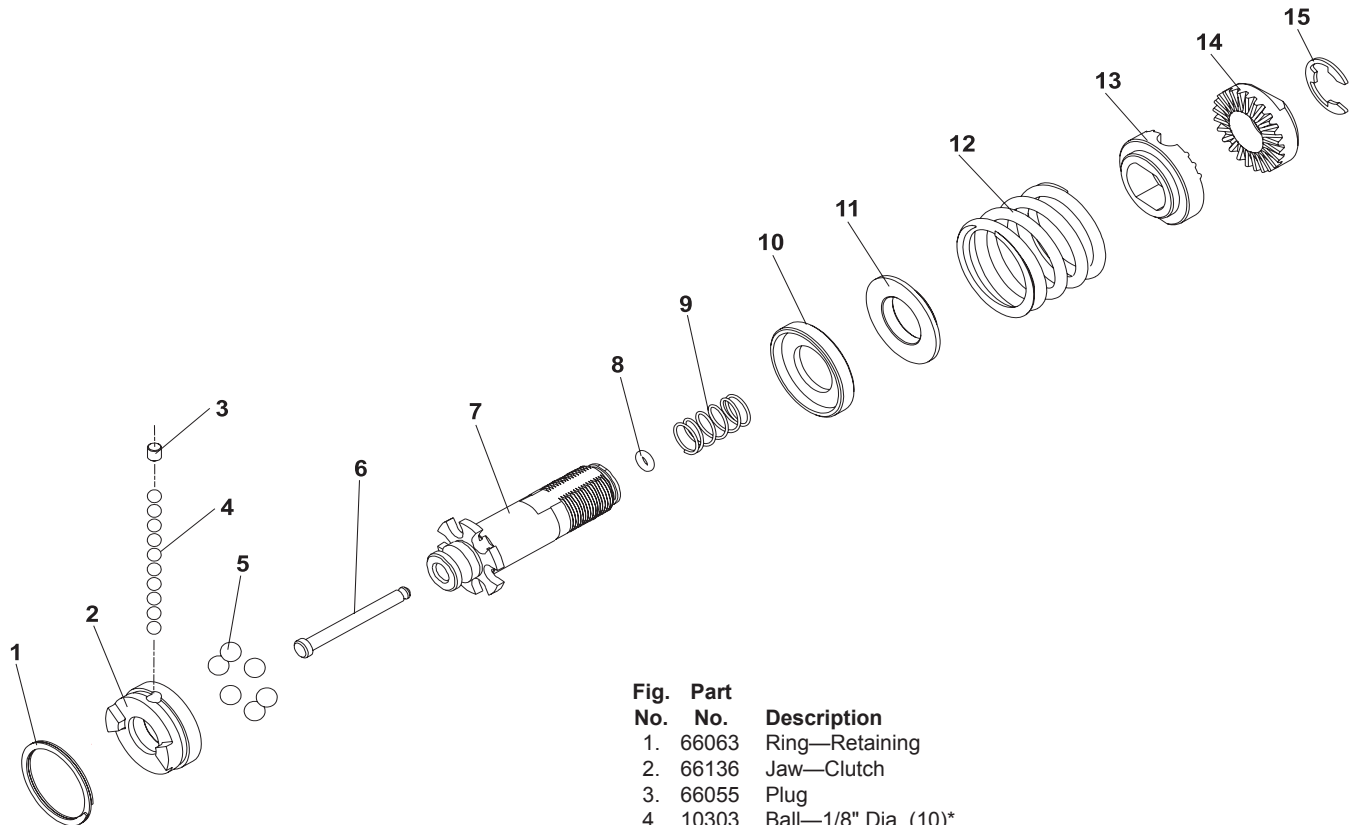


Fig. No.	Part No.	Description
1.	66063	Ring—Retaining
2.	66136	Jaw—Clutch
3.	66055	Plug
4.	10303	Ball—1/8" Dia. (10)*
5.	10306	Ball—3/16" Dia. (6)*
6.	66133	Plunger
7.	66134	Spindle—Clutch
8.	04209	Ring—"O"
9.	66057	Spring—Compression
10.	66054	Race—Thrust
11.	66053	Washer—Thrust
12.	66048	Spring (Silver)(800, 1100 RPM)(30-50 in-lb)
	66049	Spring (Blue)(1500 RPM)(15-35 in-lb)
	66050	Spring (Green)(2800 RPM)(2-20 in-lb)
13.	66047	Washer—Adjustment
14.	66046	Nut—Adjustment
15.	21493	Ring—Retaining

*Order Quantity As Needed

SIoux TOOLS INC.

250 SNAP-ON DRIVE ■ PO BOX 1596 ■ MURPHY, NC 28906 ■ USA ■

Printed In U.S.A.

This pdf incorporates the following model numbers:

66142