

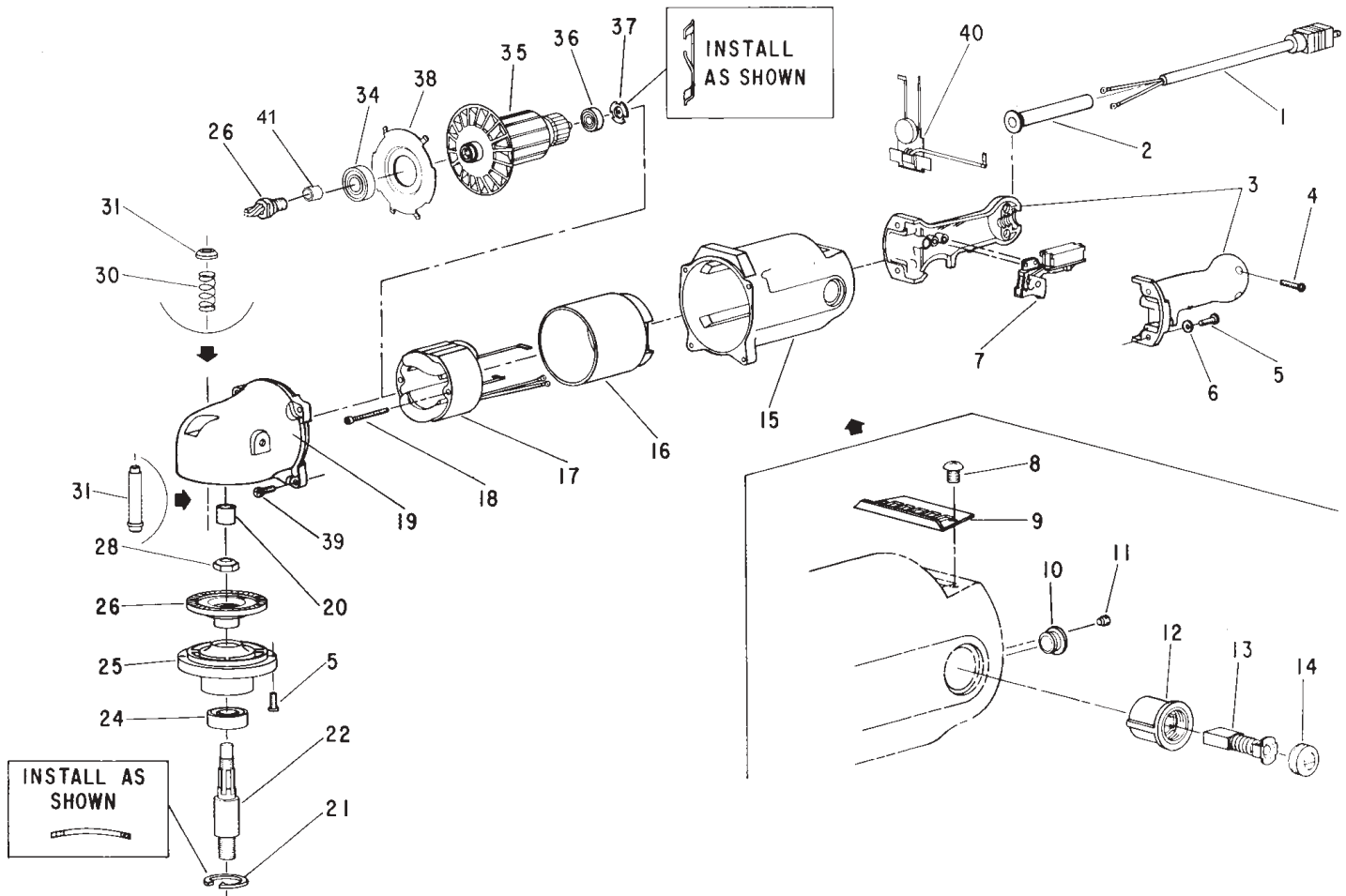


**NOTE: Parts are no longer available for this tool.**

**The manual will continue on the next page.**



# PARTS LIST FOR 66165 VARIABLE SPEED POWER UNIT (SERIAL "E")



# SIoux TOOLS INC.



# PARTS LIST FOR 66165 VARIABLE SPEED POWER UNIT (SERIAL "E")

Fig. Part No. No.	Description
1. 18442	Cord w/Terminals
2. 04303	Relief Strain
3. 65585	Ass'y - Handle
4. 06657	Screw - Phil. Pan Hd. (#8-32 x 1 1/8)(3)*
5. 07248	Screw - Torx Pan Hd. (#10-32 x 3/4)(8)*
6. 35234	Washer (4)*
7. 65582	Switch
8. 06662	Screw - Pan Hd. (#8-32 x 1/4)(2)*
9. 35830	Cover - Inspection Hole
10. 04016	Bushing - Lead Insulating
11. 07000	Screw - Soc. Hd. Cup Pt. Set (2)* (Torque to 9-10 in. lbs.)
12. 63421	Ass'y - Brush Holder W/Insulating Sleeve (2)*
13. 18031	Brush (Set of 2)
14. 18120	Cap - Brush Holder (2)*
15. 12674	Housing [Includes. Fig's. 10, 11 (2), 12 (2), 5 (4), 8 (2)]
16. 04027	Sleeve - Field Insulating
17. 65584	Field [Includes. 14733 (2)]
18. 06610	Screw - Field (#8-32 x 2 1/2)(2)*
14733	Washer (2)*

Fig. Part No. No.	Description
19. 65636	Case - Gear [Includes. Fig's. 20, 30, 31, & 39 (4)]
20. 10023	Bearing - Needle
21. 21819	Ring - Retaining (Bowed)
22. 66164	Spindle - Output Spindle (Includes. Fig. 28)
24. 10244	Bearing - Ball
25. 12675	Support - Bearing & Bearing Ass'y (Includes. Fig's. 24 & 22)
26. 19731	Ass'y - Spiral Bevel Gear & Pinion
28. 09693	Nut - Lock (Torque to 55 Ft. Lbs. Min.)
30. 41332	Spring
31. 54991	Pin - Spindle Lock (Includes. 2 Pieces.)
34. 10290	Bearing - Ball
35. 66163	Armature
04321	Fan
36. 10931	Bearing - Ball
37. 41333-1	Finger - Spring Washer
38. 65635	Retainer - Bearing
39. 07098	Screw - Soc. Hd. (#10-32 x 3/4)(4)*
40. 65579	Speed Control
41. 64046	Spacer - Pinion

\*Order Quantity As Needed

# SIOUX TOOLS INC.

2901 FLOYD BOULEVARD ■ PO BOX 507 ■ SIOUX CITY, IOWA 51102-0507 ■

Printed In U.S.A.

This pdf incorporates the following model numbers:

66165