



NOTE: Parts are no longer available for this tool.

The manual will continue on the next page.



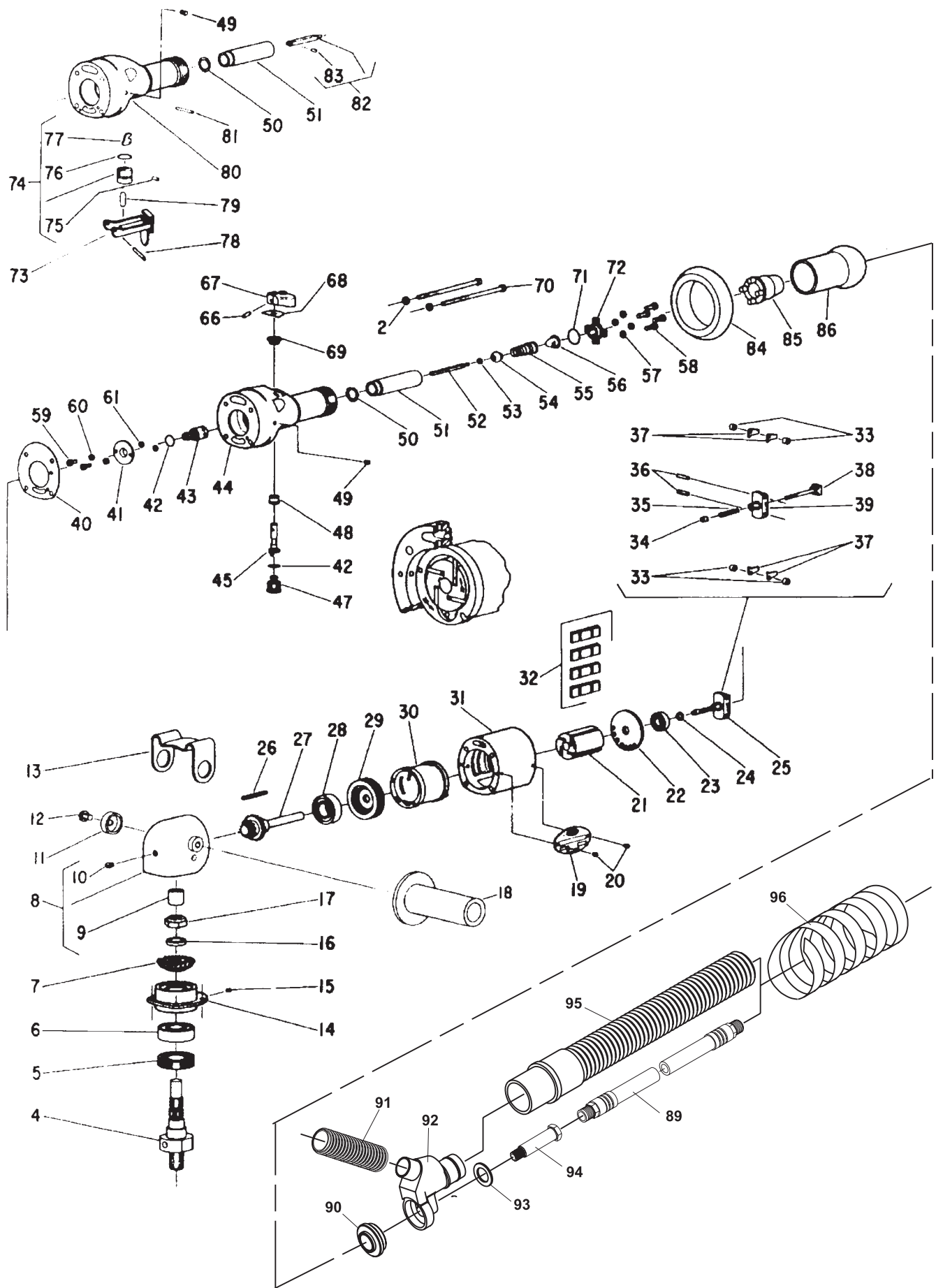
INSTRUCTIONS & PARTS LIST FOR 1287V, 1287LV, 1287VV, 1287LVV, & 1287LUV (SERIAL "E")

1. The 1287V & 1287LV must be connected to an external vacuum source, such as a fixed dust collection system or an industrial vacuum system. The tool is equipped with a 1 1/4" diameter vacuum hose. The amount of material that is picked up is determined by the power of the vacuum system that is connected to the tool.
2. The 1287VV & 1287LVV generate their own vacuum and are designed to be used with a dust collection device such as the SIOUX 875 Dust Collection Container. They may also be connected to an external vacuum source such as a fixed dust collection system or a heavy duty vacuum cleaner, such as a SIOUX 870. The tool is equipped with a 1 1/4" diameter vacuum hose.
3. Do not rest tool on the brushes. This will cause them to bend and "Take a set" reducing pick-up efficiency. Store tool on it's back when not in use.
4. Be alert to any fire hazards which may occur, especially in the hose and dust container.
5. Operation of this tool on certain materials and under certain conditions such as low humidity may cause a build up of static electricity in the tool. If this condition exists, attach a ground wire to the inlet cap on the tool and attach the other end to a suitable ground. Also, the factory may be consulted for other grounding methods.

**SIOUX
TOOLS INC.**

250 SNAP-ON DRIVE ■ PO BOX 1596 ■ MURPHY, NC 28906 ■ USA ■

Printed In U.S.A.



INSTRUCTIONS & PARTS LIST FOR 1287V, 1287LV, 1287VV, 1287LVV, & 1287LUV (SERIAL "E")

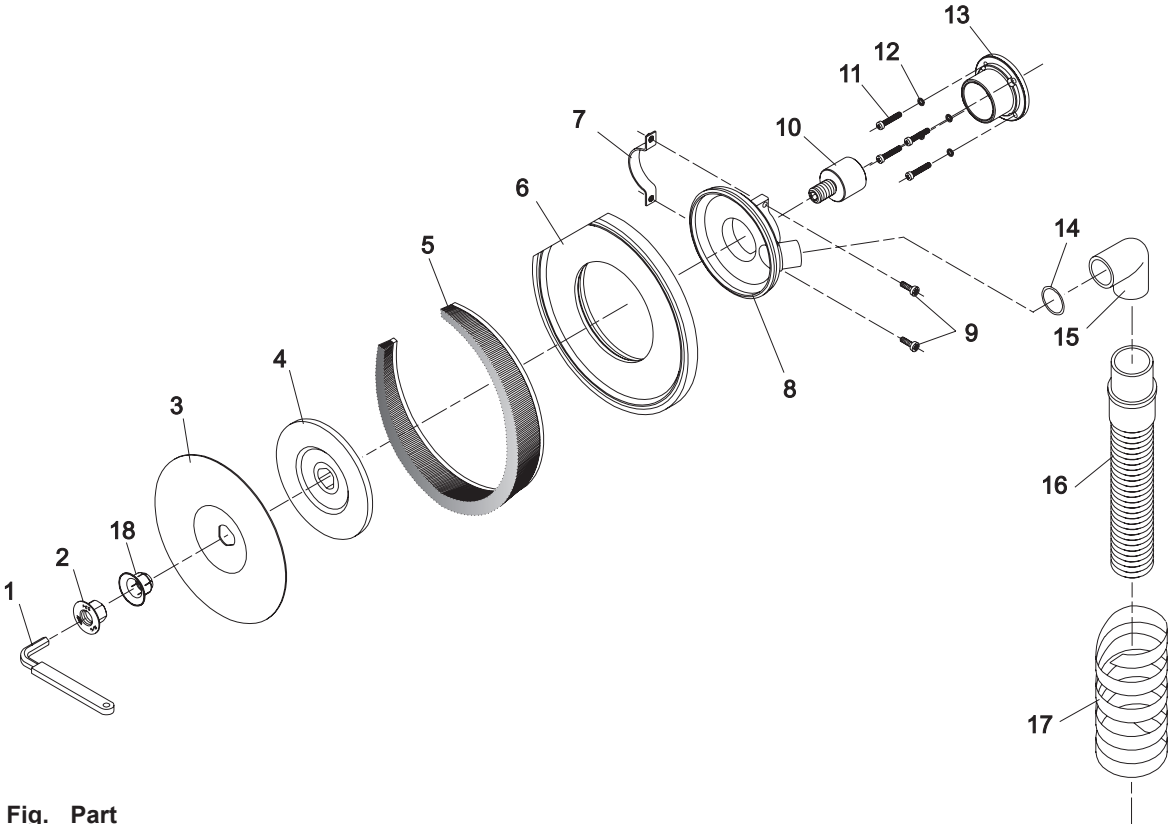


Fig. No.	Part No.	Description
1.	65854	Ass'y—Wrench
2.	524	Nut—Lock
3.	548	Pad—Disc
4.	544	Ass'y—5" Sanding Disc Holder (Includes Fig. 2)
5.	65821	Brush—Vacuum Shroud
6.	65820	Shroud—Brush
7.	65852	Ass'y—Clamp
8.	65861	Ass'y—Vacuum Shroud
9.	07245	Screw—Pan Head (Self- tapping)(2)*
10.	65437	Adapter—Spindle
11.	07119	Screw (4)*
12.	09724	Washer—Lock (4)*
13.	65436	Adapter—Shroud
14.	65934	Ring—"O"
15.	65895	Adapter—Vacuum Hose (1290V)
16.	874	Hose—Vacuum
17.	65844	Wrap—Spiral
18.	542	Retainer

*Order Quantity As Required

**FURNISH CATALOG, SERIAL, AND MODEL NUMBER
WHEN ORDERING PARTS**



▲ WARNING



Some dust created by power sanding, sawing, grinding, drilling, and other construction activities contains chemicals known to cause cancer, birth defects or other reproductive harm.

▲ ADVERTENCIA



El polvo generado al lijar, aserrar, afilar, taladrar y realizar otras tareas de construcción contiene sustancias químicas que podrían causar cáncer, malformaciones congénitas y otras alteraciones del aparato reproductor.

**SIoux
TOOLS INC.**

250 SNAP-ON DRIVE ■ PO BOX 1596 ■ MURPHY, NC 28906 ■ USA ■

Printed In U.S.A.

This pdf incorporates the following model numbers:

1287V, 1287LV, 1287VV, 1287LVV, 1287LUV