



INSTRUCTIONS AND PARTS LIST FOR 2 1/2 SERIES "AP" & "AP38" TOOLS

Form No. Z261B
Date 2005July25/A
Page 1 of 4

Serial "C"

BE SURE TO LUBRICATE

All Sioux Air Tools are manufactured to extremely close tolerances. Reasonable care and preventative maintenance will greatly prolong their service life.

This line of tools is designed for a long life of continuous duty on assembly lines, with a minimum of service and maintenance. Rotating parts are mounted on extra-capacity ball bearings, rotors and spindles are finished to extreme accuracy for power and low air consumption, gears and pinions are oversize and correctly hardened for quietness and long life.

Special attention has been given to ease of servicing. These tools can be disassembled and reassembled with ease.

Before connecting the tool, blow the air line to remove water and dirt which may have accumulated. This is especially important for a new line or when the line has not been used for some time.

LUBRICATION

GEARS

The gears are lubricated at the factory. Every 100 hours of operation add 1/4 oz. of Sioux Grease No. 289.

AIRMOTORS

Sioux Air line lubricators are recommended. When used adjust lubricator to deliver 2 to 4 drops of Sioux Air Motor Oil No. 288 per minute to the air tool. If tool is not used with a lubricator, place 10 to 15 drops of Sioux No. 288 oil into air inlet twice daily.

OPERATION

The air motor is started by depressing the operating lever or trigger. Motor speed may be controlled by adjusting the slotted head control which is located on the tool housing or on some models on the trigger surface.

HOSE AND HOSE CONNECTION

Air supply hose should not be less than 3/8" I.D. If extension hose is necessary, use 1/2" I.D. hose with couplings not less than 3/8" I.D.

SAFETY PRECAUTIONS

1. Keep Work Area Clean: Cluttered areas and benches invite accidents.
2. Wear Proper Apparel: No loose clothing or jewelry to get caught in moving parts.
3. Use Safety Glasses: Protect your eyes.
4. Secure Work: Use clamps or vise to hold work. It's safer than using your hand and it frees both hands to operate tool.
5. Don't Overreach: Keep proper footing and balance at all times.
6. Maintain Tools With Care: Keep tools sharp and clean for best and safest performance. Follow instructions for lubricating and changing accessories.
7. Disconnect Tools: When not in use, before servicing, or when changing accessories such as blades, bits and etc.
8. Remove Adjusting Key and Wrenches: Form habit of checking to see that keys and adjusting wrenches are removed from tool before turning it on.
9. Caution: The use of an accessory with this tool not provided or specified by SIOUX TOOLS INC. may be hazardous.

SIoux TOOLS INC.

250 SNAP-ON DRIVE ■ PO BOX 1596 ■ MURPHY, NC 28906 ■ USA ■

Printed in U.S.A.

INSTRUCTIONS AND PARTS LIST FOR 2 1/2 SERIES "AP" & "AP38" TOOLS

Serial "C"

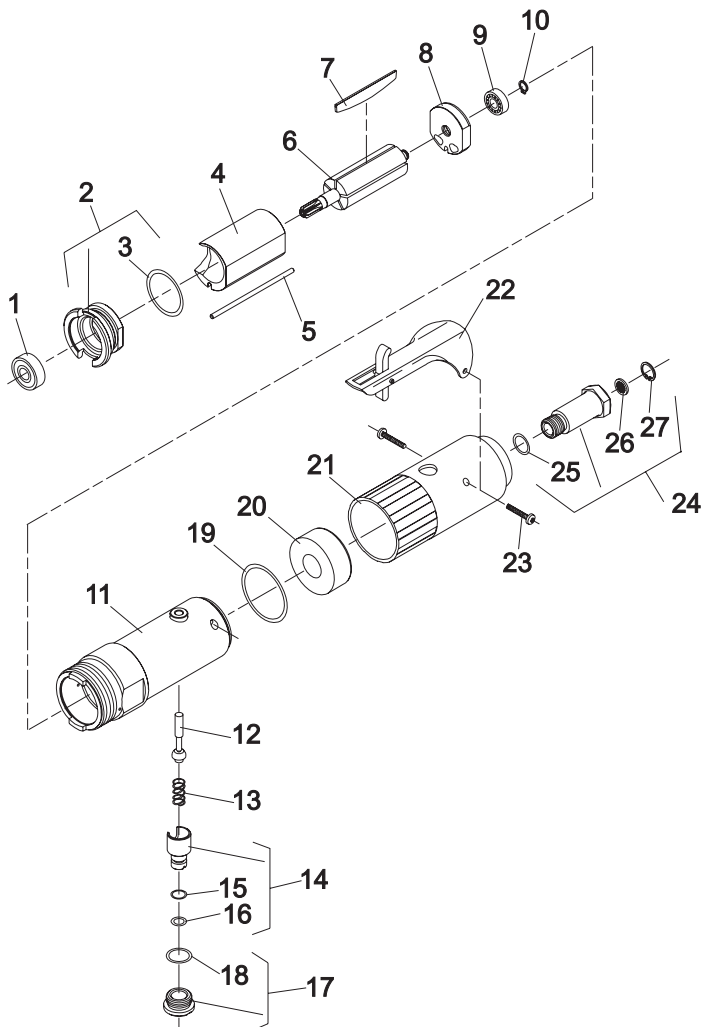


Fig. No.	Part No.	Name
1.	10220	Bearing—Ball
2.	13550	End Plate—Front
3.	14342	Ring—"O"
4.	64057	Cylinder
5.	68403	Pin
6.	67855	Rotor (2600RPM)
	67856	Rotor (3350RPM)
7.	63192	Ass'y—Rotor Vane (Set of 5)
8.	10552	End Plate—Rear
9.	10230	Bearing—Ball
10.	21491	Ring—Retaining
11.	64036	Housing
12.	63241	Ass'y—Valve
13.	21427	Spring
14.	54843	Speed—Control
15.	14290	Ring—"O"
16.	14291	Ring—"O"
17.	54844	Retainer—Speed Control
18.	14309	Ring—"O"
19.	14333	Ring—"O"
20.	40116	Material—Exhaust
21.	04042	Cover—Housing
22.	63258	Lever
23.	65499	Screw—Pan Hd (Selftap) (#6—32 x 3/4 Long)(2)*
24.	54837	Adaptor—Intake
25.	14312	Ring—"O"
26.	30463	Screen
27.	21541	Ring—Retaining

Complete Assemblies:

63444	Ass'y—Lever Handle (Non-Rev) (Includes Figs. 11-21, 23-27)
75202	Ass'y—Motor (2600RPM)(Includes Figs. 1-10)
63374	Ass'y—Motor (3350RPM)(Includes Figs. 1-10)
65882	Ass'y—Handle (Not Shown)

*Order Quantity As Needed
Furnish Catalog, Serial and Model Number
When Ordering Parts

INSTRUCTIONS AND PARTS LIST FOR 2 1/2 SERIES "AP" & "AP38" TOOLS

Serial "C"

Single Reduction Gear Case (2600 RPM Unit)

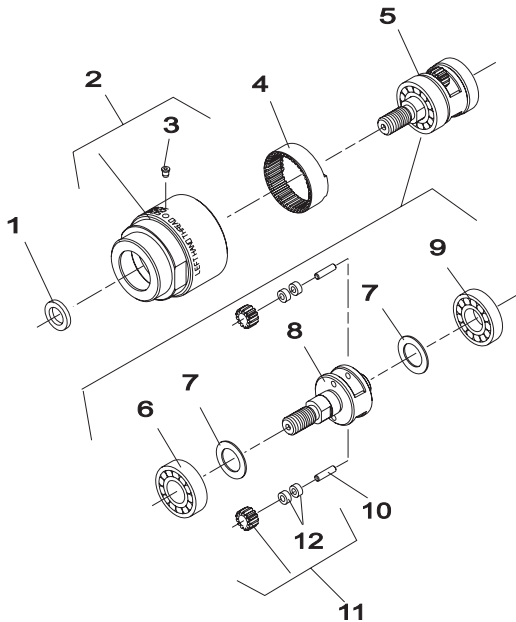


Fig. No.	Part No.	Name
1.	44122	Spacer
2.	67927	Case—Gear
3.	30375	Fitting—Grease
4.	67858	Gear—Ring
5.	67898	Ass'y—Planetary Reduction
6.	10228	Bearing—Ball
7.	25439	Washer (2)*
8.	67873	Carrier—Gear
9.	10203	Bearing—Ball
10.	67857	Pin (2)*
11.	67944	Ass'y—Gear & Bearing (2)*
12.	10080	Bearing—Needle (4)*

Single Reduction Gear Case (3350 RPM Units)

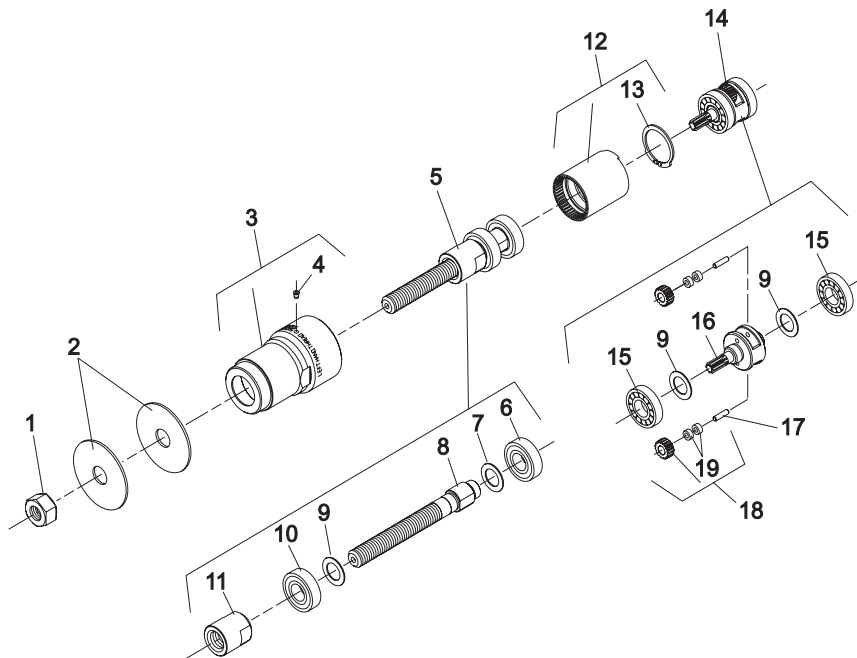


Fig. No.	Part No.	Name
1.	09622	Nut
2.	65497	Washer (2)*
3.	64003	Case—Gear
4.	30375	Fitting—Grease
5.	65887	Ass'y—Chuck Spindle
6.	10239	Bearing—Ball
7.	35798	Washer
8.	65846	Spindle—Chuck
9.	25439	Washer(3)*
10.	10929	Bearing—Ball
11.	65853	Nut—Spacer
12.	67859	Gear—Ring
13.	21510	Ring—Retaining
14.	67918	Ass'y—Planetary Reduction
15.	10203	Bearing—Ball(2)*
16.	67891	Carrier—Gear
17.	67857	Pin(2)*
18.	67868	Ass'y—Gear & Bearing(2)*
19.	10080	Bearing—Needle (4)*

*Order Quantity As Needed
Furnish Catalog, Serial and Model Number
When Ordering Parts



▲ WARNING



Some dust created by power sanding, sawing, grinding, drilling, and other construction activities contains chemicals known to cause cancer, birth defects or other reproductive harm.

▲ ADVERTENCIA



El polvo generado al lijar, aserrar, afilar, taladrar y realizar otras tareas de construcción contiene sustancias químicas que podrían causar cáncer, malformaciones congénitas y otras alteraciones del aparato reproductor.

**SIoux
TOOLS INC.**

250 SNAP-ON DRIVE ■ PO BOX 1596 ■ MURPHY, NC 28906 ■ USA ■

Printed in U.S.A.

This pdf incorporates the following model numbers:

2L1300AP