



NOTE: Parts are no longer available for this tool.

The manual will continue on the next page.



INSTRUCTIONS & PARTS LIST FOR NO. 270, 270-2, 270-4 SIOUX RIVET HAMMERS (SERIAL D)

Air Supply

The efficiency of the tool is dependent upon the proper supply of clean lubricated air at 90 P.S.I. at the inlet of the specified air hose. A line filter is recommended. Air pressure above 90 P.S.I. should be reduced with an air regulator.

Before connecting the tool, blow the air line to remove water and dirt which may have accumulated. This is especially important on new lines or lines which have not been used for some time.

Hose and Connections

Air hose should be 1/4" with 1/4" pipe fittings.

Lubrication

An airline lubricator, set to deliver one drop per minute, is recommended. If a lubricator is not used, about 1/2 oz. of oil should be poured into the air inlet every 4 hours. Sioux No. 288 air motor oil, which contains a moisture absorbent and rust preventative, is recommended.

Placing Tool in Operation

The tool is ready to operate when received with the exception of adding oil.

Pour about 1/2 oz. of recommended oil into the tool air inlet. Connect to air line and with a chisel in tool and chisel held against a firm support operate on partial throttle to allow oil to be carried to tool mechanism.

Safety Precautions

1. Do not point the tool at any individual.
2. Wear goggles during operation of tool.
3. On certain jobs, ear protection may be advisable.
4. Do not operate tool without a chisel.

Operation

Always operate the slugger with an accessory or chisel in the tool, held against the work. This will prevent damage to interior of tool

Loss of Power or Erratic Action

After checking for proper air pressure and cleanliness of the air, flush tool out with a small amount of petroleum solvent, operate tool a fraction of a minute and relubricate.

If this does not correct the difficulty, the tool must be dismantled, parts cleaned, reassembled and oiled. Check for broken or worn parts while tool is dismantled.

Maintenance

For lowest cost, disassemble at regular intervals, depending upon the usage, clean, inspect, and replace worn or broken parts. Reassemble and relubricate.

SIOUX TOOLS INC.



INSTRUCTIONS & PARTS LIST FOR NO. 270, 270-2, 270-4 SIOUX RIVET HAMMERS (SERIAL D)

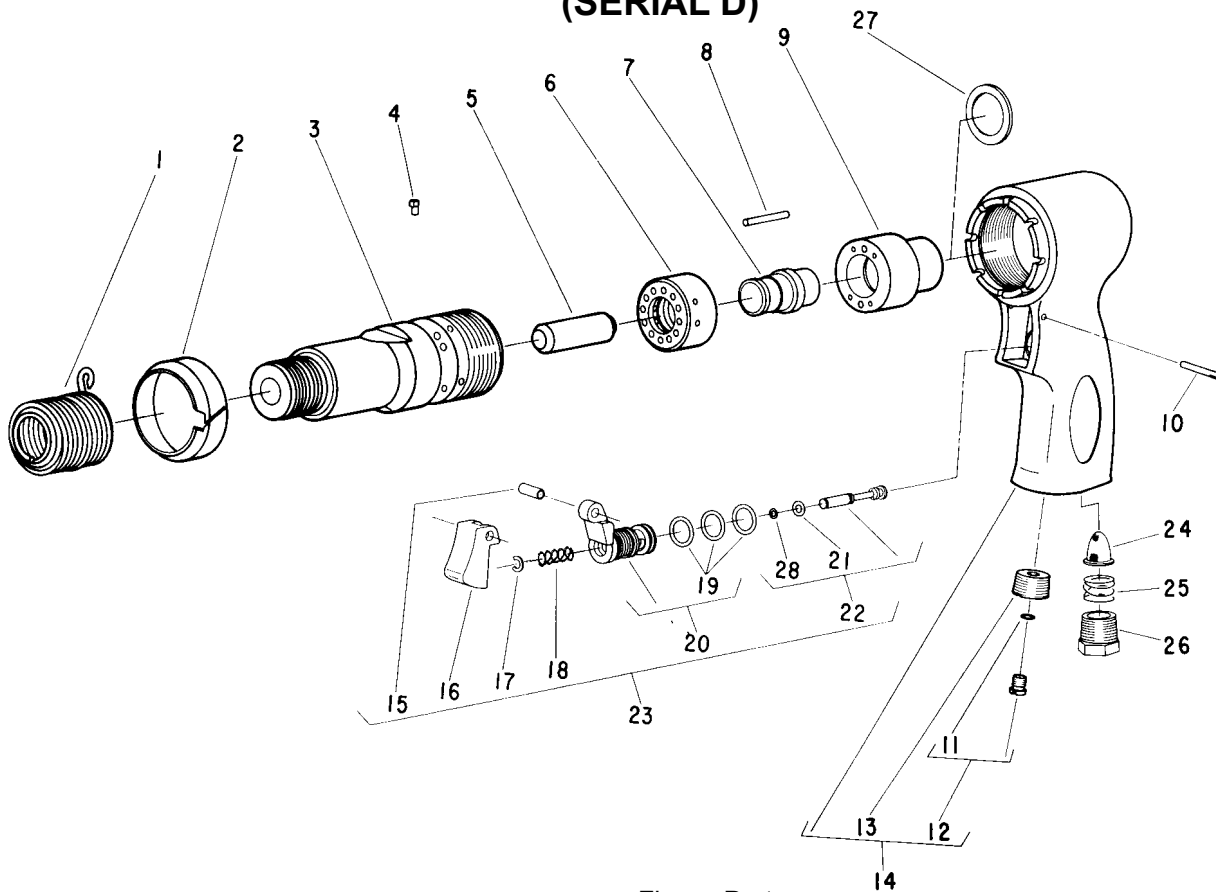


Fig. No.	Part No.	Name
1.	2207	Spring
2.	30385	Deflector—Exhaust
3.	30384	Barrel 270
	65211	Barrel 270-2
	65212	Barrel 270-4
4.	30391	Pin—Barrel Lock
5.	30386	Plunger 270, 270-4
	65210	Plunger 270-2
6.	65925	Cylinder—Front air
7.	65927	Sleeve—Cylinder
8.	30347	Pin-Cylinder Lock
9.	65926	Cylinder—Back Air
10.	30613	Pin
11.	14369	Ring—“O”
12.	44253	Oiler Screw
13.	44755	Insert—Oiler
14.	65368	Ass’y—Handle
	65931	Ass’y—Handle complete

Fig. No.	Part No.	Name
		(Includes Figs 10-28)
15.	44754	Bushing
16.	14087	Trigger
17.	21542	Retainer Ring
18.	21372	Spring
19.	14312	Ring—“O” (3)*
20.	65929	Ass’y—Valve Body
21.	66148	Ring—“O”
22.	65928	Ass’y—Valve
23.	65930	Ass’y—Teasing Throttle Valve
24.	33993	Screen—Air
25.	21417	Spring
26.	44100	Bushing—Reducing
27.	35116	Washer
28.	14349	Ring—“O”

*Order Quantity As Needed

SIoux TOOLS INC.

Furnish Catalog and Serial Number When Ordering Parts

2901 FLOYD BOULEVARD ■ PO BOX 507 ■ SIOUX CITY, IOWA 51102-0507 ■

This pdf incorporates the following model numbers:

270, 270-2, 270-4