



NOTE: Parts are no longer available for this tool.

The manual will continue on the next page.



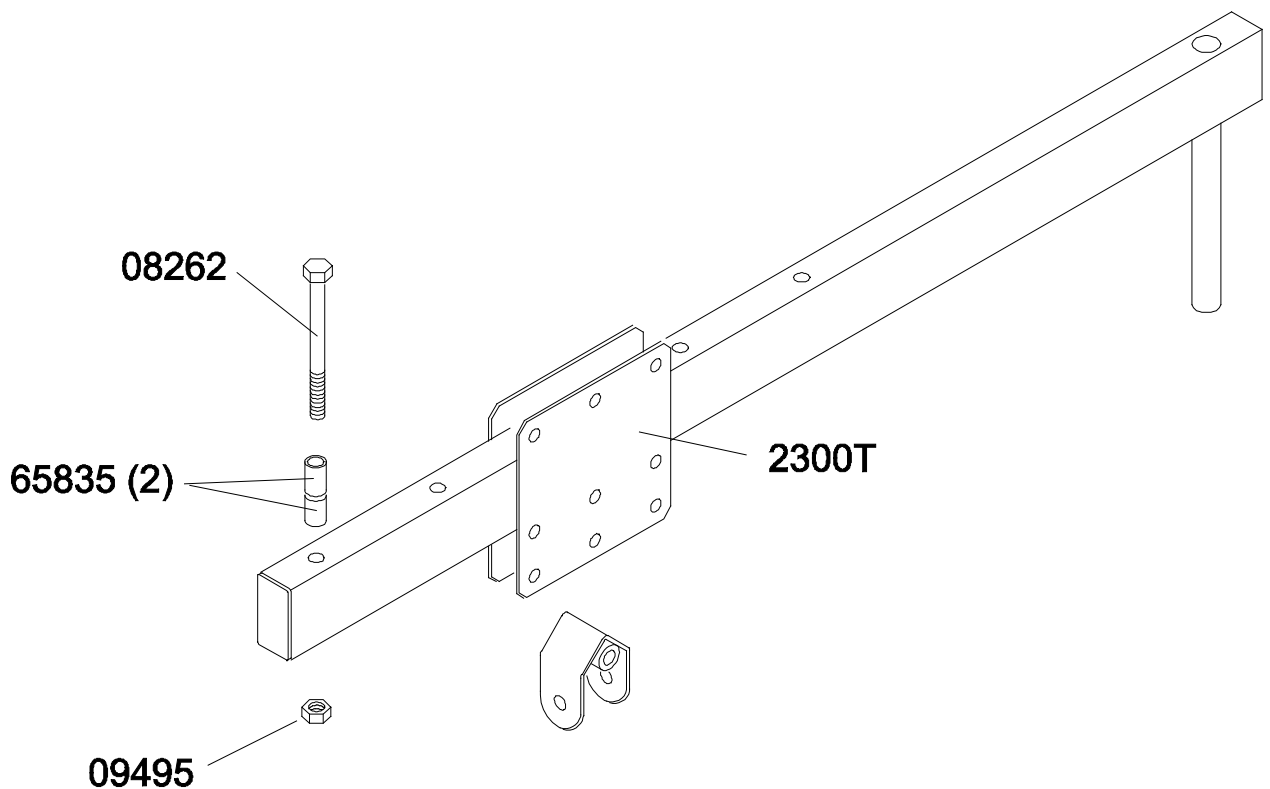
INSTRUCTIONS & PARTS LIST

2300T TROLLEY KIT

The 2300T Trolley Kit provides a movable connection point for a balancer and telescopic arm to be mounted on the boom of a Sioux TA-Series Torque-Balance Arm.

To mount the trolley, slip it over the end the boom, with 2 rollers above and 1 roller under. The 3" bolt (08262), 2 spacers (65835), and nut (09495) MUST be installed in a hole of the boom out-board of the trolley to prevent it from sliding off of the boom. This installation is illustrated below. An exploded view parts list is on the other side of this page.

Three holes are provided in the trolley for mounting a balancer, telescopic arm, and a safety lanyard when required. Single items should use the center hole for best balance. Multiple items should be mounted as required.



SIoux™
TOOLS INC.



INSTRUCTIONS & PARTS LIST

2300T TROLLEY KIT

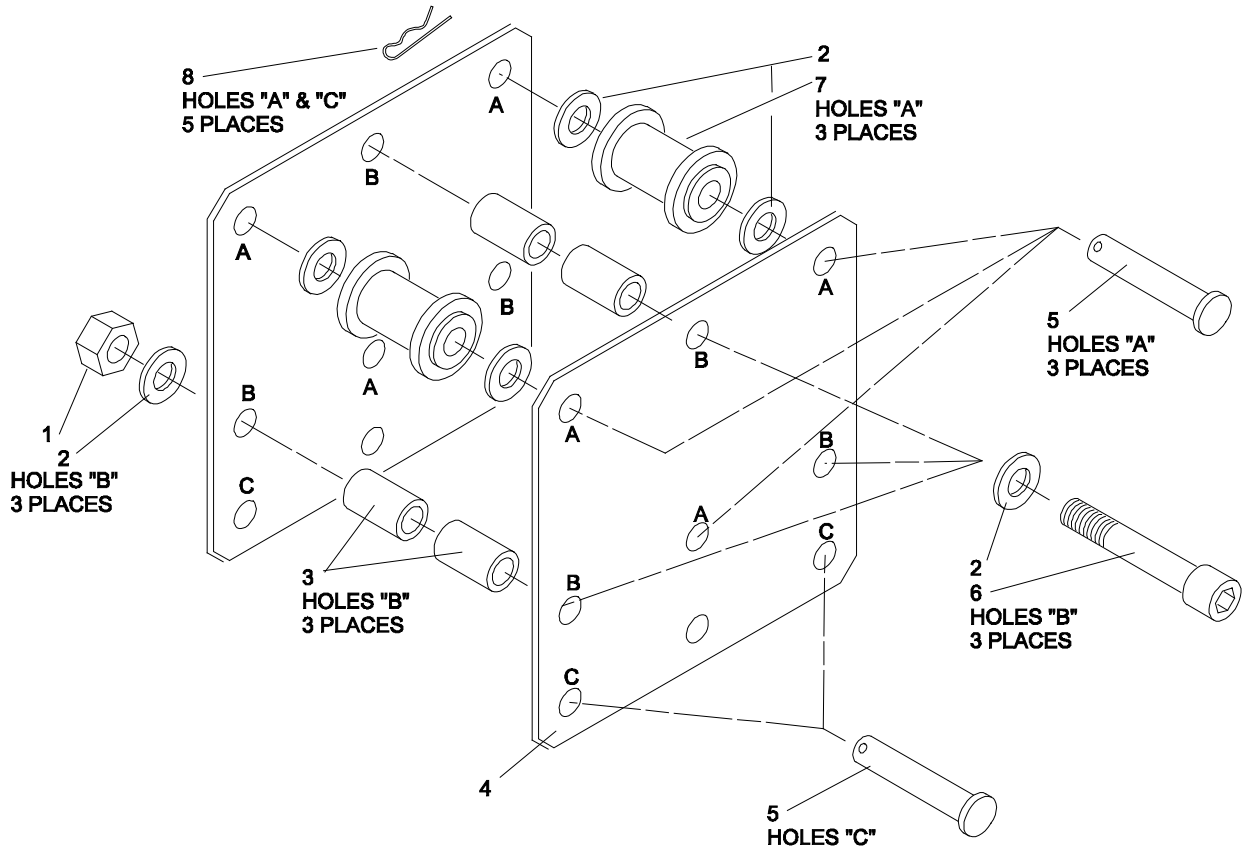


Fig. No.	Part No.	Description
1.	09495	Nut-Hex Coarse 1/4-20 (3)*
2.	25069	Washer ((12)*
3.	65835	Bushing-Bronze 1/4 x 3/8 x 5/8 (6)*
4.	65834	Plate-Side (2)*
5.	65849	Pin (Includes Figure No. 8)(5)*
6.	08234	Screw 1/4-20 x 1-3/4 Cap Soc Head (3)*
7.	65833	Roller (3)*
8.	65850	Cotter-Hair Spring (5)*

*Order Quantity As Required

FURNISH CATALOG, SERIAL, AND MODEL NUMBER
WHEN ORDERING PARTS

SIoux™ TOOLS INC.

2901 FLOYD BOULEVARD ■ PO BOX 507 ■ SIOUX CITY, IOWA 51102-0507 USA ■

Printed in U.S.A.

This pdf incorporates the following model numbers:

2300T