



INSTRUCTIONS & PARTS LIST FOR 856-2 AND 856-3 VACUUM KIT USED ON "1DA" SERIES

Assembly Instructions:

Remove any cutting tools from the collet. Collet nut must be installed and one turn loose.

Clamp shroud adapter (65746) to angle head using #8 x 5/8 long cap screw (06500). Position opening in shroud adapter to the front of the tool.

Slide shroud onto adapter until some of the opening in the shroud adaptor is closed off. Do not clamp the shroud tight in this position.

Install backing pad into collet and tighten. Be careful to allow clearance to the bottom of the shroud adaptor so any part of the backing pad will not rub on the shroud adaptor.

Pull shroud down over backing pad and position as close to the working surface as possible for best pickup efficiency. Clamp the shroud in this position using #8 x 7/8 long cap screw (06601).

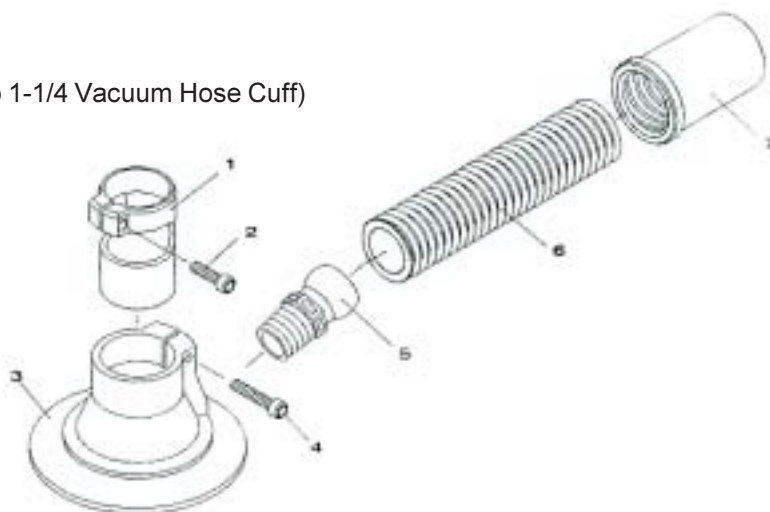
Screw connector (65725) to shroud and install hose to connector.

Screw hose adaptor (65814) onto other end of hose.

Hose adaptor allows for fit up to 1-1/4 vacuum hose cuff.

Use the four cable ties (65505) to fasten the vacuum hose to the inlet air hose.

Fig. No.	Part No.	Name
1.	65746	Adapter Shroud
2.	06500	Screw #8 x 5/8 long
3.	65744	Shroud 3"
	65745	Shroud 2"
4.	06601	Screw #8 x 7/8 long
5.	65725	Connector
6.	855	Hose 3/4 x 6 ft.
7.	65814	Adapter Hose (Adapts to 1-1/4 Vacuum Hose Cuff)
	65505	Cable Tie (pack of 4)



SIoux TOOLS INC.

250 SNAP-ON DRIVE ■ PO BOX 1596 ■ MURPHY, NC 28906 ■ USA ■

Printed In U.S.A.



▲ WARNING



Some dust created by power sanding, sawing, grinding, drilling, and other construction activities contains chemicals known to cause cancer, birth defects or other reproductive harm.

▲ ADVERTENCIA



El polvo generado al lijar, aserrar, afilar, taladrar y realizar otras tareas de construcción contiene sustancias químicas que podrían causar cáncer, malformaciones congénitas y otras alteraciones del aparato reproductor.

**SIoux
TOOLS INC.**

250 SNAP-ON DRIVE ■ PO BOX 1596 ■ MURPHY, NC 28906 ■ USA ■

Printed In U.S.A.

This pdf incorporates the following model numbers:

856-2, 856-3