



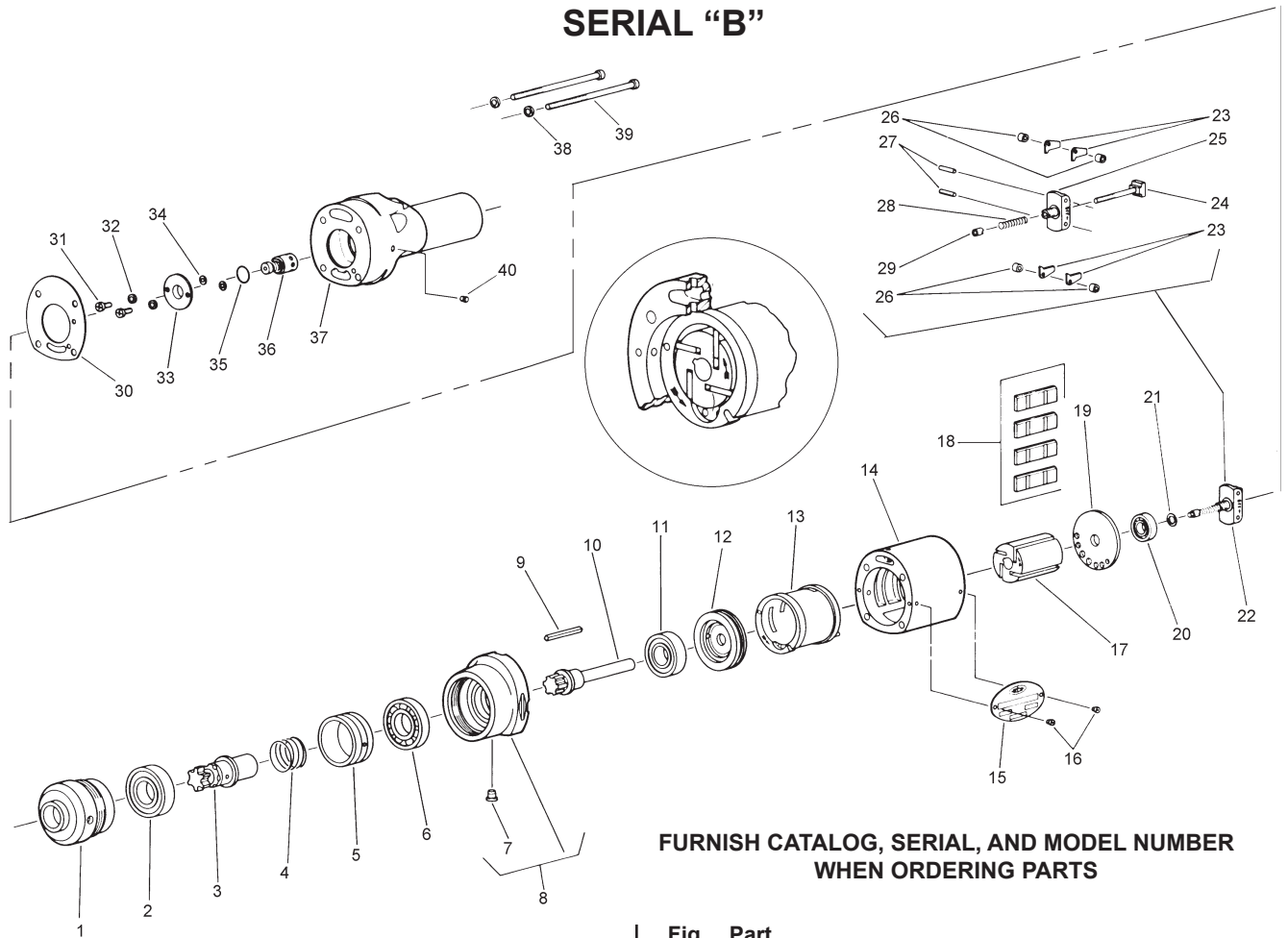
**NOTE: Parts are no longer available for this tool.**

**The manual will continue on the next page.**



# PARTS LIST FOR 1788T8000 & 1788TLH8K SIOUX "T" HANDLE 8000 RPM AIR DRIVER SERIAL "B"

Form Z185A  
Date 3-97



**FURNISH CATALOG, SERIAL, AND MODEL NUMBER  
WHEN ORDERING PARTS**

Fig. No.	Part No.	Description
1.	44271	Sleeve—Bearing
2.	10245	Bearing—Ball
3.	43046	Spindle—Tool
4.	21419	Spring
5.	44269	Spacer—Bearing
6.	10167	Bearing—Ball
7.	30356	Fitting—Grease
8.	12279	Casting—Front
9.	44219	Key—Rotor
10.	44268	Spindle—Rotor
11.	10243	Bearing—Ball
12.	10531	Endplate—Front
13.	43022	Ass'y—Cylinder & Pin
14.	12276	Housing
15.	20332R	Plate—Name
16.	06000	Screw—Phil. Pan Hd. #2-56 x 1/8 (2)*
17.	44220	Rotor
18.	33997	Vane—Rotor (Set of 4)
19.	10520	End Plate—Rear
20.	10241	Bearing—Ball
21.	35067	Washer—Wave

Fig. No.	Part No.	Description
22.	43670	Ass'y—Governor (8,000 RPM)
23.	35069	Weight—Governor (6)*
24.	43666	Bearing—Support & Spindle
25.	44222	Frame—Governor
26.	44218	Spacer—Governor Weight (4)*
27.	30336	Pin—Roll (2)*
28.	21416	Spring—Governor (Green)
29.	13183	Nut—Adjusting
30.	14756	Gasket
31.	06325	Screw—Phil. Rd. Hd. #6-32 x 5/16" (2)*
32.	09704	Washer—Lock #6 (2)*
33.	44245	Retainer—Governor Valve
34.	14750	Retainer—Screw (2)*
35.	14312	Ring—"O"
36.	43664	Valve—Governor
37.	65501	Housing (Includes Fig. 40)
38.	09724	Washer #10 (4)*
39.	07129	Screw—Phil. Fil. Hd. #10-24 x 3 3/4 (4)*
40.	30375	Fitting—Grease

**Items Not Shown (Tool Inlet For 1788TLH8K)**

44050	Adapter—Pipe Thread
33736	Screen
21512	Ring—Retainer

\*Order Quantity as Needed

## SIOUX TOOLS INC.

250 SNAP-ON DRIVE ■ PO BOX 1596 ■ MURPHY, NC 28906 ■ USA ■

Printed In U.S.A.



# PARTS LIST FOR 1788T8000 & 1788TLH8K SIOUX "T" HANDLE 8000 RPM AIR DRIVER SERIAL "B"

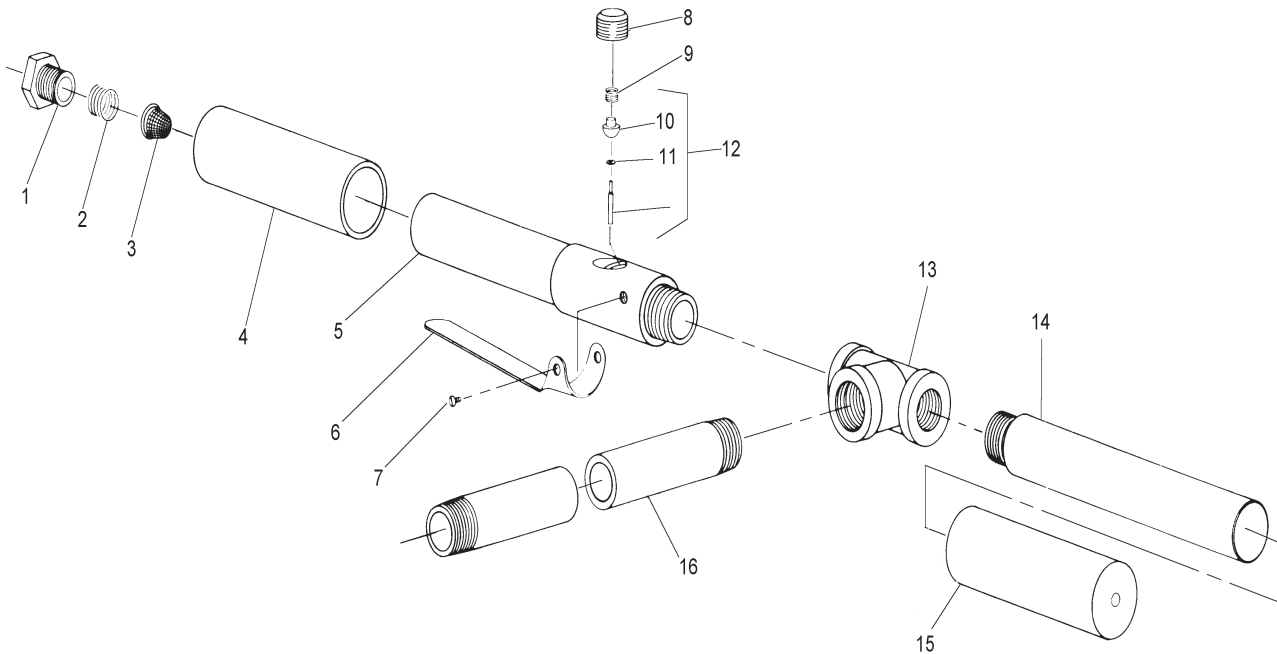


Fig. No.	Part No.	Description
1.	66880A	Cover
2.	44100	Bushing—Reducing
3.	21417	Spring
4.	30462	Screen
5.	06099	Screw (2)*
6.	66963	Screw
7.	35235	Lever—Handle
8.	65289	Ring—"O"
9.	63575	Stem—Valve
10.	21211	Spring
11.	66878	Cap
12.	67401	Ass'y—Handle and Extension (Includes Figs. 12 thru 14)
13.	40073	Straight—"Tee" 1/2"
14.	54708	Handle—Dead
15.	67532	Grip
16.	65500	Extension
	67402	Ass'y—Tee Handle Complete (Includes Figs. 1 thru 15)

\*Order Quantity as Needed

**SIoux  
TOOLS INC.**

250 SNAP-ON DRIVE ■ PO BOX 1596 ■ MURPHY, NC 28906 ■ USA ■

Printed In U.S.A.

This pdf incorporates the following model numbers:

1788T8000, 1788TLH8K