



NOTE: Parts are no longer available for this tool.

The manual will continue on the next page.



PARTS LIST FOR 2367B EXTENSION KIT

Form Z171
Date 2005February11/A
Page 1 of 1

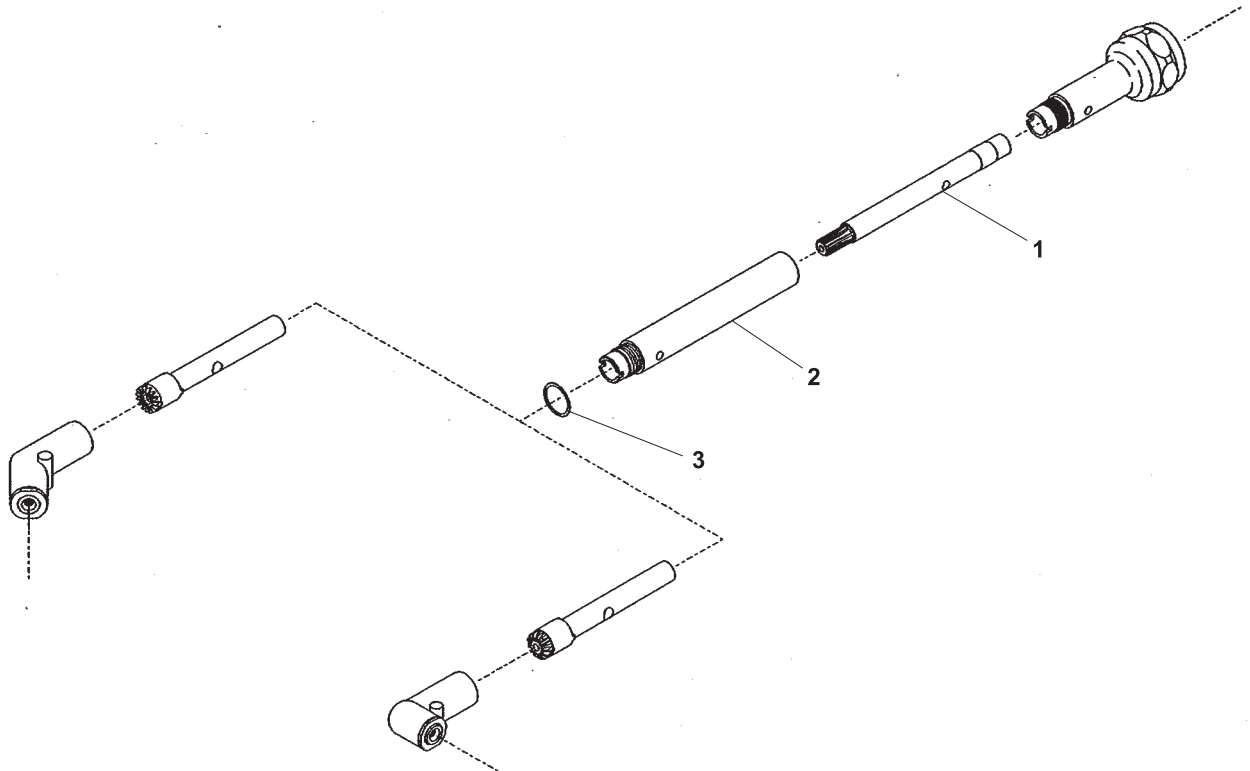


FIG. NO.	PART NO.	NAME
1.	65486	Shaft—Drive Extension
2.	65487	Housing—Extension
3.	65240	.003 Shim
	65241	.004 Shim
	65242	.005 Shim

As Required

Order Quantity As Needed

SIoux TOOLS INC.

250 SNAP-ON DRIVE ■ PO BOX 1596 ■ MURPHY, NC 28906 ■ USA ■

PRINTED IN U.S.A.

This pdf incorporates the following model numbers:

2367, 2367B