



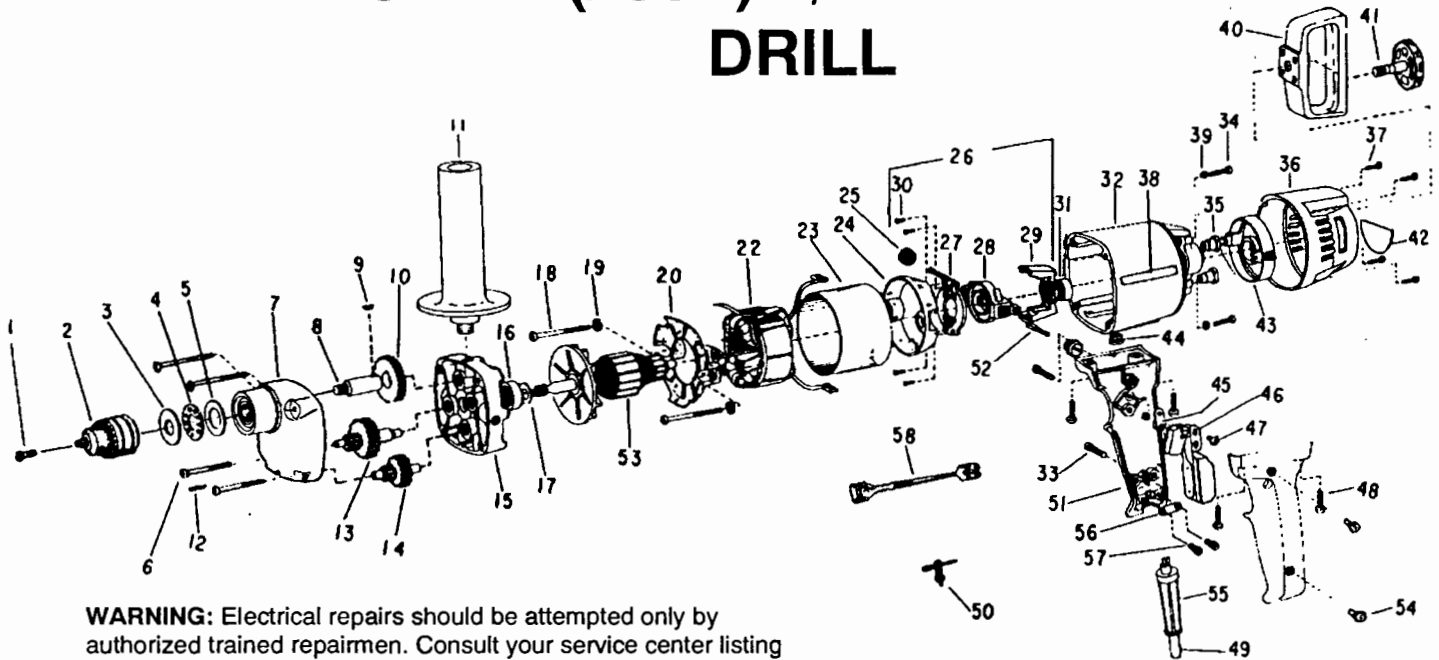
**NOTE: Parts are no longer available for this tool.**

**The manual will continue on the next page.**



# PARTS LIST FOR 8120J (230V) 1/2" ELECTRIC DRILL

Form No. Z165  
Date 2-94



**WARNING:** Electrical repairs should be attempted only by authorized trained repairmen. Consult your service center listing for your nearest SIoux Authorized Service Center.

Fig. No.	Part No.	Description
1.	08311	Screw—Chuck
2.	21081	Chuck
3.	10549	Race—Outer Ball
4.	63338	Ass'y—Ball Retainer
5.	10550	Race—Inner Ball
6.	07246	Screw (4)*
7.	12673	Ass'y—Gear Case
	10441	Bearing—Sleeve
	10440	Bearing—Sleeve (2)*
8.	22694	Spindle
9.	40148	Key
10.	19264	Gear—Spindle
11.	63348	Handle—Side
12.	40145	Pin—Roll
13.	19351	Ass'y—2nd Intermediate Gear
14.	19350	Ass'y—1st Intermediate Gear
15.	63357	Ass'y—Separator
	10440	Sleeve—Bushing (2)*
16.	10210	Bearing—Ball
17.	35730	Spacer
18.	07243	Screw (2)*
19.	09724	Washer—Lock (2)*
20.	04019	Ass'y—Baffle
	54929	Bushing (2)*
22.	28964J	Field
23.	05056	Sleeve—Insulating
24.	04002	Insulator—Frame
25.	18109	Cap—Brush Holder (2)*
26.	28165	Ass'y—Brush Holder Ring
27.	28169	Ass'y—Support Cover

Fig. No.	Part No.	Description
28.	28172	Ring—Brush Holder
29.	28170	Support
30.	06125	Screw (4)*
31.	10931	Bearing—Ball
32.	12664	Frame
33.	06596	Screw (2)*
34.	06595	Screw (2)*
35.	04009	Bushing—Insulating (2)*
36.	04013	Cap—Back
37.	07244	Screw (4)
38.	20809	Strip—Decal (2)*
39.	09836	Washer—Lock (2)*
40.	04012	Handle—Spade
41.	04010	Knob
42.	20017R	Plate—Name
43.	28171	Ring—Reversing
44.	04016	Bushing—Lead Insulating
45.	04008	Spacer—Switch
46.	18224	Switch
47.	06660	Screw
48.	07245	Screw (2)*
49.	65954	Cord
50.	30429	Key—Chuck
51.	04022	Ass'y—Handle
	13321	Inserts (2)*
52.	18023	Motor—Brush (Pair)
53.	28966J	Armature
54.	54930	Nut (2)*
55.	04303	Guard—Cord
56.	35726	Clamp—Cord
57.	06241	Screw (2)
58.	04305	Holder—Key

Furnish Catalog Number When Ordering Parts  
\*Order Quantity As Needed

**SIoux  
TOOLS INC.**

2901 FLOYD BOULEVARD ■ PO BOX 607 ■ SIOUX CITY, IOWA 51102-0507 ■

Printed in U.S.A.

This pdf incorporates the following model numbers:

8120J