

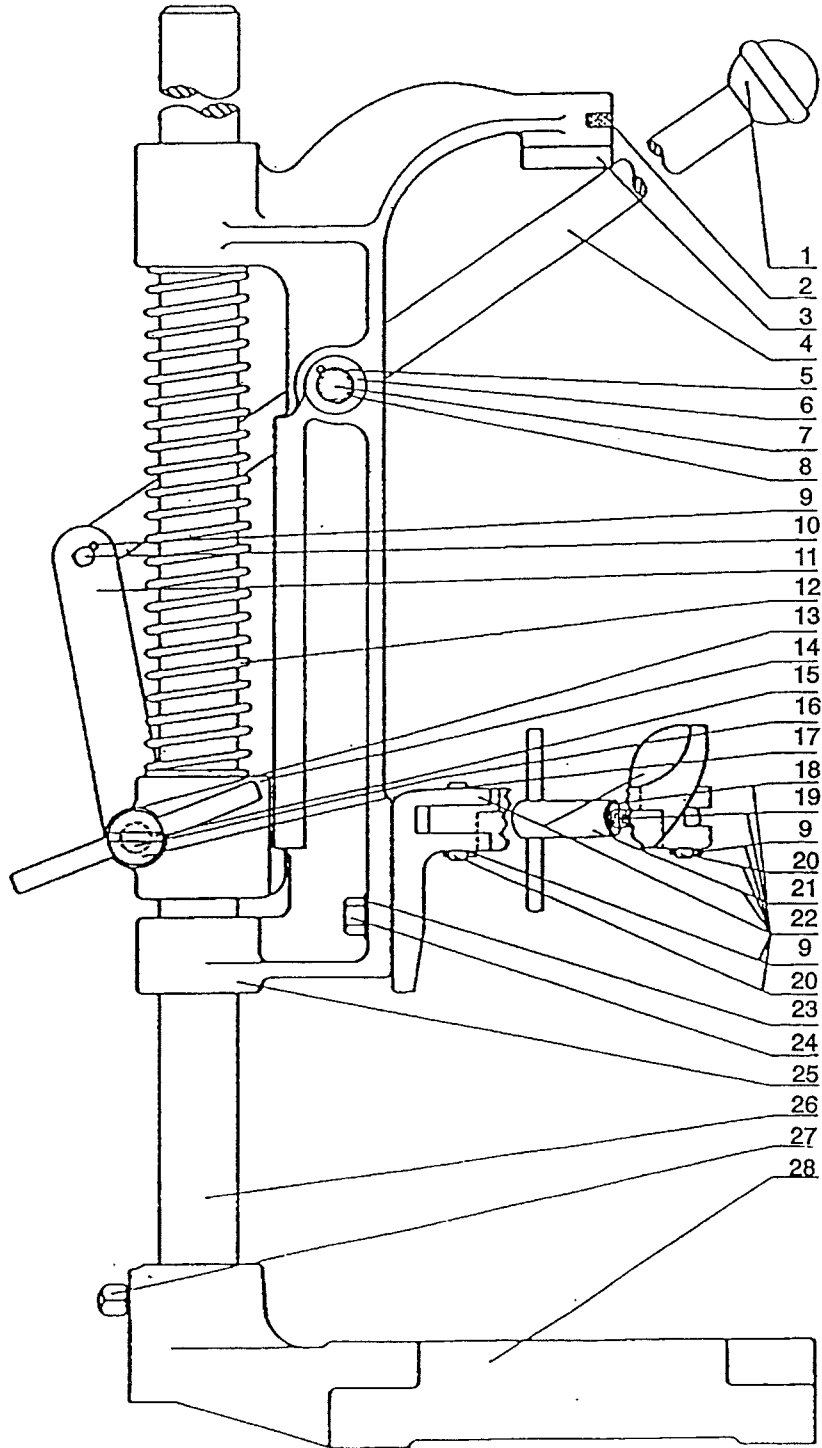


**NOTE: Parts are no longer available for this tool.**

**The manual will continue on the next page.**



# PARTS LIST FOR 65399 DRILL STAND



**SIoux  
TOOLS INC.**

2901 FLOYD BOULEVARD ■ SIOUX CITY, IOWA 51102-0507 ■



# PARTS LIST FOR 65399 DRILL STAND

FIG. NO.	PART NO.	NAME
1.	14010	Grip—Ball
2.	08003	Screw (1/4"—20 x 3/8)
3.	65521	Socket
4.	34066	Handle
5.	34067	Swivel—Handle
6.	25206	Washer (2)
7.	09102	Screw (3/8—16 x 5/8)
8.	30131	Pin—Cotter (5/32 x 1)
9.	30006	Pin—Cotter (5/32 x 1/2) (3)*
10.	34069	Pin—Handle
11.	25665	Link—Connecting (2)*
12.	21320	Spring
13.	25152	Washer
14.	11244	Clamp—Column
15.	30341	Roll Pin (1/8 x 1—1/8)
16.	34068	Bolt—Column Clamp
17.	23559	Nut—Column Clamp Lock
18.	25127	Washer
19.	24823	Screw—Eye
20.	24899	Pin—Drill Support
21.	23357	Handle—Tee
22.	23685	Ass'y Drill Clamp
23.	09770	Washer—Lock 5/16 (2)*
24.	08774	Screw (5/16—18 x 7/8) (2)*
25.	11243	Bracket
26.	65294	Column
27.	09220	Screw (7/16—14 x 3/4)
28.	65295	Base

#### Items Not Shown

65296 Plate-Name  
09950 Screw-Drive (2)\*

\*Order Quantity As Needed

**SIoux**  
**TOOLS INC.**

2901 FLOYD BOULEVARD ■ SIOUX CITY, IOWA 51102-0507 ■

PRINTED IN U.S.A.

This pdf incorporates the following model numbers:

65399