



NOTE: Parts are no longer available for this tool.

The manual will continue on the next page.



INSTRUCTIONS & PARTS LIST FOR 1308 AIR JIG SAW (SERIAL "B")

AIR SUPPLY

The efficiency and life of this tool depend on the proper supply of clean, dry, lubricated air at about 90 lbs. P.S.I., although higher or lower pressures may be used. The use of an air line filter, pressure regulator and lubricator is recommended.

Before connecting the tool, blow the air line to remove water and dirt which may have accumulated. This is especially important for a new line or when the line has not been used for some time.

HOSE AND HOSE CONNECTION

The air supply hose is 3/8" I.D. If extension hose is necessary, use 1/2" hose, with couplings not less than 3/8" I.D.

LUBRICATION

An oil supply to the air motor is important. SIOUX air line lubricators are recommended. Adjust to deliver 2 drops of SIOUX Air Motor Oil No. 288 per minute. When air line lubricator is not used, place 10–15 drops of SIOUX No. 288 oil into the air inlet twice daily.

If saw head had been disassembled for service, use SIOUX #1 198 Grease (1 oz.) when assembling and coat all internal parts with grease.

OPERATION OF THE AIR POWER UNIT

The tool is equipped with a speed control located in the housing on the opposite side of the lever. An exhaust control valve for blowing the saw dust clear of the cut line is provided in the face of the motor housing mounting flange. Both the speed and exhaust control are turned by using the Allen Wrench (4mm or 5/32") supplied with the saw.

The position of the lever with respect to the saw head is able to be changed by removing the four screws in the housing flange and repositioning the air power unit. Be sure the pinion is properly engaged in the gear before tightening the screws.

OPERATION OF THE SAW HEAD

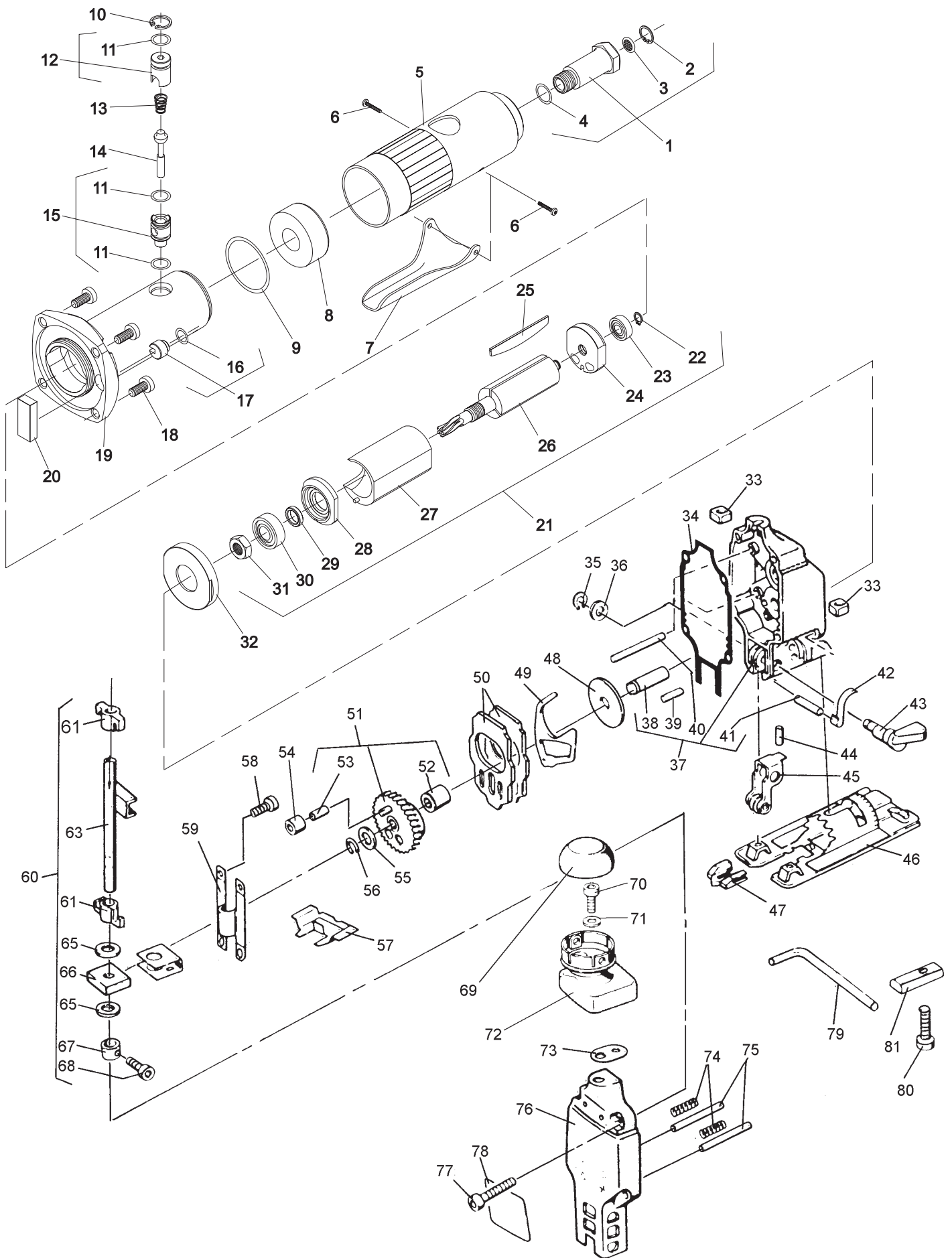
The jig saw has a stroke length of 1" and the cutting capacity is as follows: Wood—2 3/8", Steel—1/4", Soft Metal—3/4", Hard Aluminum—3/8" and Ceramic—3/8".

See the nameplate on the front of the saw head for orbital setting for various materials. Use "O" setting when plunge cutting.

When inserting the standard saw blade, be sure the blade is properly seated in the support roller. If using Long-Time saw blades, they can be inserted up to 2 3/8" into the saw bar. The Long-Time saw blades can be repositioned downward as the blade wears when cutting thin material. This increases the endurance of the saw blade.

Important: The support roller and holder should be oiled periodically.

SIOUX TOOLS INC.



INSTRUCTIONS & PARTS LIST FOR 1308 AIR JIG SAW (SERIAL "B")

Fig. No.	Part No.	Name	Fig. No.	Part No.	Name
1.	54837	Adaptor—Inlet	42.	72445	Spring
2.	21541	Ring—Retaining	43.	72446	Switch—Orbit Control
3.	30463	Screen	44.	72448	Pin—Dowel
4.	14312	Ring—"O"	45.	72449	Ass'y—Support Roll
5.	14193	Cover—Housing	46.	72450	Shoe
6.	65499	Screw—Pan Hd (Selftap) (#6—32 x 3/4 Long)(2)*	47.	72440	Anti—Splintering Device (Pkg. of 3)
7.	35737	Pin	48.	72439	Washer
8.	40116	Material—Silencing	49.	72438	Arm—Rocker
9.	14313	Ring—"O"	50.	72437	Weight—Balance (2)
10.	21795	Ring—Retaining	51.	72433	Ass'y—Gear
11.	14290	Ring—"O" (3)	52.	72435	Bearing—Needle
12.	64199	Valve—Speed Control	53.	72434	Pin
13.	21401	Spring	54.	72427	Bearing—Needle
14.	63241	Ass'y—Valve	55.	72453	Washer (10.1 x 16 x 0.5mm)
15.	64198	Body—Valve		72454	Washer (10.1 x 16 x 0.6mm)
16.	14311	Ring—"O"		72455	Washer (10.1 x 16 x 0.7mm)
17.	64200	Valve—Exhaust		72456	Washer (10.1 x 16 x 0.8mm)
18.	07633	Screw—Pan Hd (#12—24 x 1/2")(4)	56.	72436	Ring—Retaining
19.	64203	Housing and Flange	57.	72432	Bracket
20.	04058	Plug	58.	72426	Screw—Cap (M4 x 12)(2)
21.	63590	Ass'y—Motor	59.	72428	Guide—Plunger
22.	21491	Ring—Retaining	60.	72420	Ass'y—Plunger
23.	10253	Bearing—Ball	61.	72421	Bearing (2)
24.	10552	End Plate—Rear	63.	72423	Plunger
25.	63527	Vane (3)	65.	72430	Washer (2)
26.	64196	Rotor	66.	72431	Felt
27.	64057	Cylinder	67.	72424	Collar
28.	64059	End Plate—Front	68.	72425	Screw—Cap (M5 x 8)
29.	44488	Spacer	69.	72411	Cover—Handle
30.	10257	Bearing—Ball	70.	72412	Screw—Cap (M5 x 10)
31.	09580	Nut	71.	72413	Washer
32.	64201	Retainer—Motor	72.	72414	Cover
33.	72444	Nut—Square (2)	73.	72415	Seal
34.	72447	Gasket	74.	72418	Spring—Pressure(2)
35.	72442	Ring—Retaining	75.	72419	Pin—Dowel (2)
36.	72443	Washer	76.	72417	Cover—Gear Case
37.	72457	Ass'y—Gear Case	77.	72416	Screw—Cap (M4 x 22 8G)(4)
38.	72459	Bolt—Bearing	78.	20609	Name Plate
39.	72460	Pin—Dowel	79.	72441	Wrench—Allen (4mm)
40.	72458	Pin—Dowel	80.	72452	Screw—Cap (M5 x 22 8G)
41.	72461	Pin—Dowel	81.	72451	Plate—Thrust

*Order Quantity As Needed



GENERAL SAFETY PRECAUTIONS FOR AIR TOOLS

1. **KEEP WORK AREA CLEAN:** Cluttered areas and benches invite accidents.
2. **AVOID DANGEROUS ENVIRONMENT:** Keep work area well lit.
3. **KEEP CHILDREN AWAY:** All visitors should be kept safe distance form work area.
4. **STORE IDLE TOOLS:** When not in use, tools should be stored in dry, high or locked-up place—out of reach of children.
5. **DON'T FORCE TOOL:** It will work best and safest at the designed rate.
6. **USE RIGHT TOOL:** Don't force small tool to do the job of a heavy-duty tool.
7. **WEAR PROPER APPAREL:** No loose clothing or jewelry to get caught in moving parts.
8. **USE SAFETY GLASSES:** Use safety glasses with most tools. Also face or dust mask if it is a cutting operation.
9. **SECURE WORK:** Use clamps or vise to hold work. It's safer than using your hand and it allows freedom of both hands to hold tool.
10. **DON'T OVERREACH:** Keep proper footing and balance at all times.
11. **MAINTAIN TOOLS WITH CARE:** Keep tools sharp and clean for best and safest performance. Follow instructions for lubricating and changing accessories.
12. **DISCONNECT TOOLS:** When not in use; before servicing; when changing accessories such as blades, bits, cutter, etc.
13. **REMOVE ADJUSTING KEYS AND WRENCHES:** Form habit of checking to see that keys and adjusting wrenches are removed form tool before turning it on.
14. **CAUTION:** The use of an accessory with this tool not provided or specified by SIOUX TOOLS may be hazardous.

**SIoux
TOOLS INC.**

250 SNAP-ON DRIVE ■ PO BOX 1596 ■ MURPHY, NC 28906 ■ USA ■

Printed In U.S.A.

This pdf incorporates the following model numbers:

1308