



NOTE: Parts are no longer available for this tool.

The manual will continue on the next page.

SIoux



TOOLS

Parts List for No's. 2332 & 2333 Sioux ANGLE ATTACHMENT

Furnish Catalog, Serial and Model Number When Ordering Parts

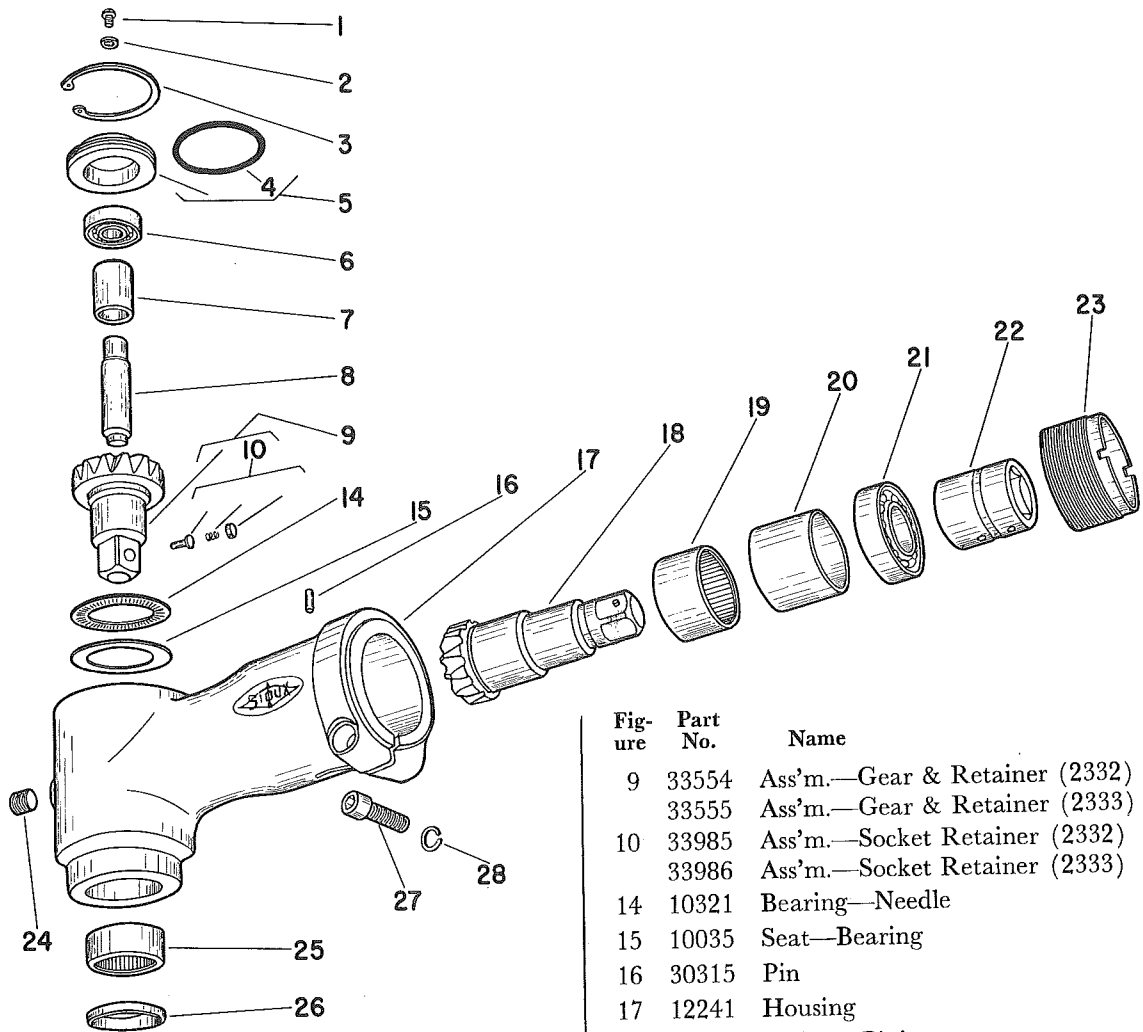


Fig- ure	Part No.	Name
1	07211	Screw—#10
2	09723	Washer—#10
3	21492	Ring—Retainer
4	14333	Ring—"O"
5	33588	Ass'm.—Bearing Retainer (2332)
	33590	Ass'm.—Bearing Retainer (2333)
6	10221	Bearing—Ball
7	34881	Spacer—Gear
8	34882	Spindle—Pilot

Fig- ure	Part No.	Name
9	33554	Ass'm.—Gear & Retainer (2332)
	33555	Ass'm.—Gear & Retainer (2333)
10	33985	Ass'm.—Socket Retainer (2332)
	33986	Ass'm.—Socket Retainer (2333)
14	10321	Bearing—Needle
15	10035	Seat—Bearing
16	30315	Pin
17	12241	Housing
18	33589	Ass'm.—Pinion
19	10037	Bearing—Needle
20	34885	Spacer
21	10212	Bearing—Ball
22	34880	Coupling (2332)
	33551	Coupling (2333)
23	34884	Sleeve
24	30246	Plug
25	10036	Bearing—Needle
26	30316	Seal
27	08014	Screw—1/4"
28	09748	Washer—Lock 1/4"

ALBERTSON & COMPANY, Inc.

SIoux CITY, IOWA, U.S.A. 51102

SIoux



TOOLS

Parts List for No's. 2334 & 2335 Sioux ANGLE ATTACHMENT

Furnish Catalog, Serial and Model Number When Ordering Parts

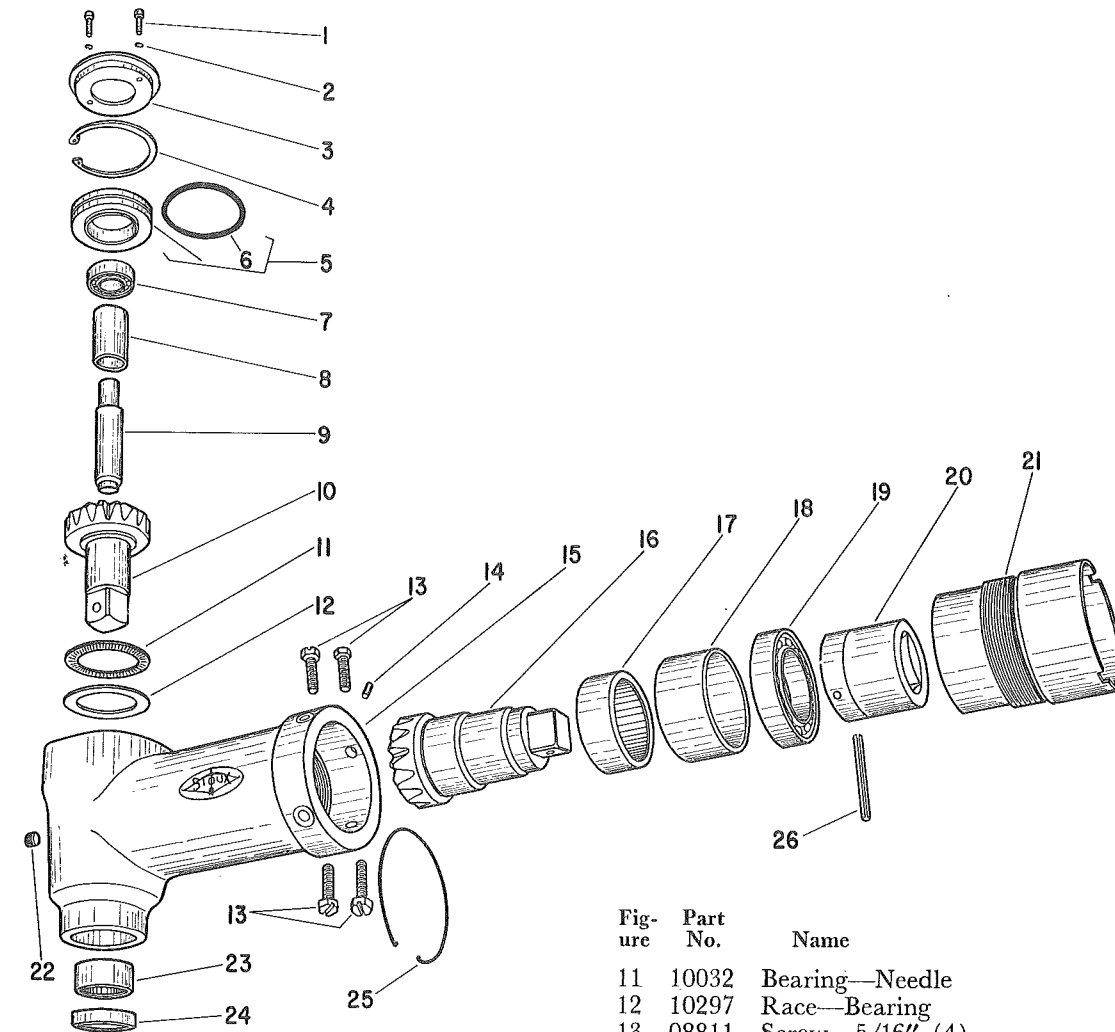


Fig- ure	Part No.	Name
1	07091	Screw—#10 (2)
2	09724	Washer—Lock #10 (2)
3	12250	Cover—Housing (2334)
	12251	Cover—Housing (2335)
4	21495	Ring—Retainer
5	33615	Ass'm.—Bearing Retainer
6	14329	Ring—"O"
7	10141	Bearing—Ball
8	34869	Spacer—Gear
9	34804	Spindle—Pilot
10	19146	Gear—Zerol (2334)
	19147	Gear—Zerol (2335)

Fig- ure	Part No.	Name
11	10032	Bearing—Needle
12	10297	Race—Bearing
13	08811	Screw—5/16" (4)
14	30313	Pin—Groove
15	12234	Housing
16	19447	Pinion—Zerol Bevel (2334)
	19448	Pinion—Zerol Bevel (2335)
17	10031	Bearing—Needle
18	34806	Spacer—Bearing
19	10224	Bearing—Ball
20	34802	Coupling (2334)
	34803	Coupling (2335)
21	34805	Sleeve
22	30246	Plug—Pipe
23	10030	Bearing—Needle
24	30292	Seal
25	21496	Retainer—Bolt
26	30307	Pin—Roll

ALBERTSON & COMPANY, Inc.
SIOUX CITY, IOWA, U.S.A. 51102

PRINTED
IN
U.S.A.

SIoux



TOOLS

Parts Price List for No's. 33401 & 33402 Sioux ANGLE ATTACHMENT

Furnish Catalog, Serial and Model Number When Ordering Parts

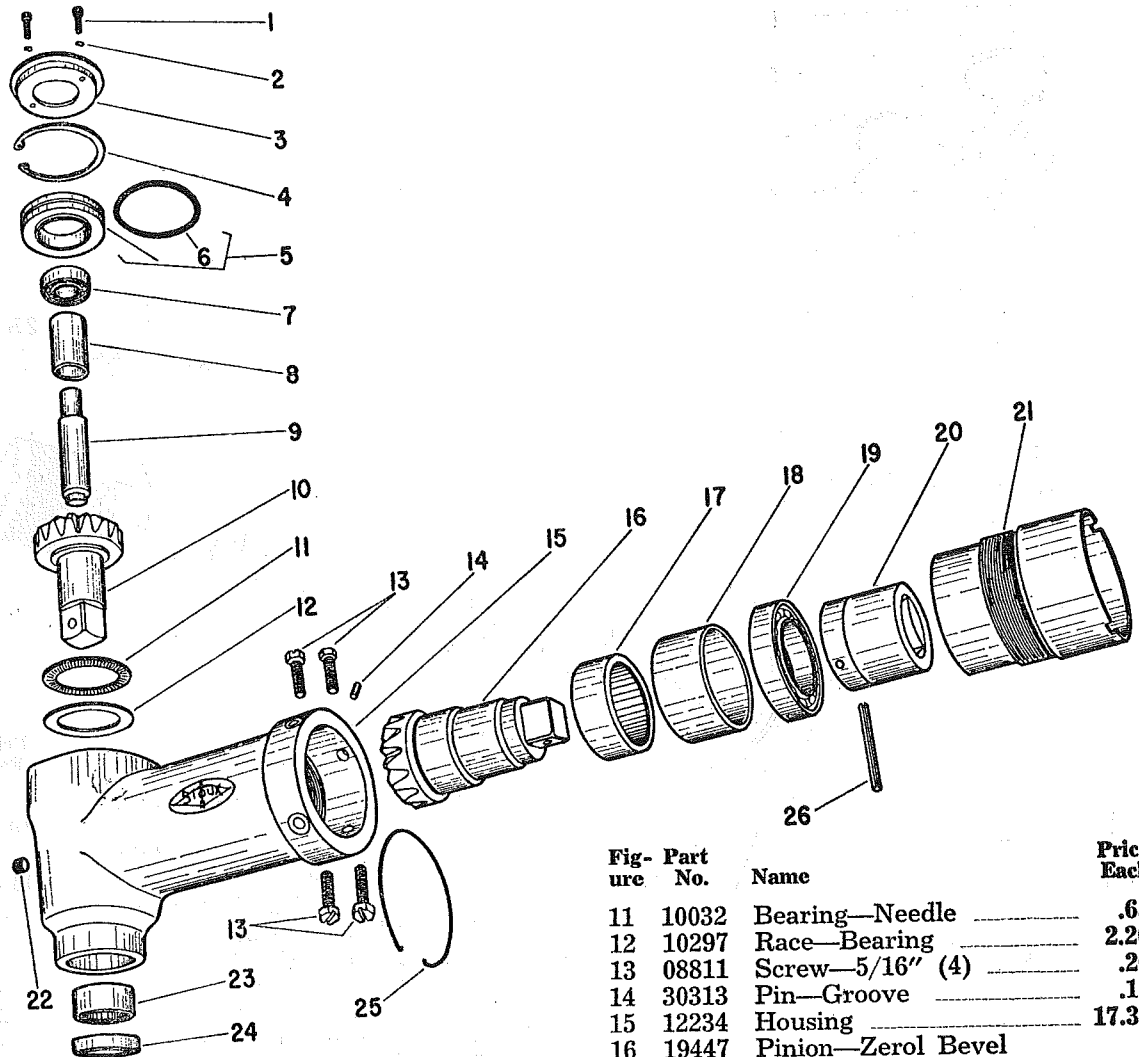


Fig- ure	Part No.	Name	Price Each	
1	07091	Screw—#10 (2)	\$.20	
2	09724	Washer—Lock #10 (2)	.05	
3	12250	Cover—Housing (33401)	2.75	
	12251	Cover—Housing (33402)	2.75	
4	21495	Ring—Retainer	.95	
5	33615	Ass'm.—Bearing Retainer	5.30	
6	14329	Ring—"O"	.35	
7	10141	Bearing—Ball	2.90	
8	34869	Spacer—Gear	1.95	
	19147	Gear—Zerol (33402)	28.65	
9	34804	Spindle—Pilot	2.95	
10	19146	Gear—Zerol (33401)	28.05	
	11	10032	Bearing—Needle	.65
	12	10297	Race—Bearing	2.20
	13	08811	Screw—5/16" (4)	.20
	14	30313	Pin—Groove	.10
	15	12234	Housing	17.30
	16	19447	Pinion—Zerol Bevel (33401)	24.30
		19448	Pinion—Zerol Bevel (33402)	24.55
	17	10031	Bearing—Needle	2.05
	18	34806	Spacer—Bearing	3.45
	19	10224	Bearing—Ball	5.95
	20	34802	Coupling (33401)	4.45
		34803	Coupling (33402)	4.75
	21	34805	Sleeve	6.45
	22	30246	Plug—Pipe	.10
	23	10030	Bearing—Needle	1.10
	24	30292	Seal	1.80
	25	21496	Retainer—Bolt	.20
	26	30307	Pin—Roll	.05

PRICES ARE NET TO USER AND SUBJECT TO CHANGE WITHOUT NOTICE

ALBERTSON & COMPANY, Inc.
SIoux CITY 2, IOWA, U.S.A.

SIoux



TOOLS

Parts Price List for No's. 33398 & 33399 Sioux ANGLE ATTACHMENT

Furnish Catalog, Serial and Model Number When Ordering Parts

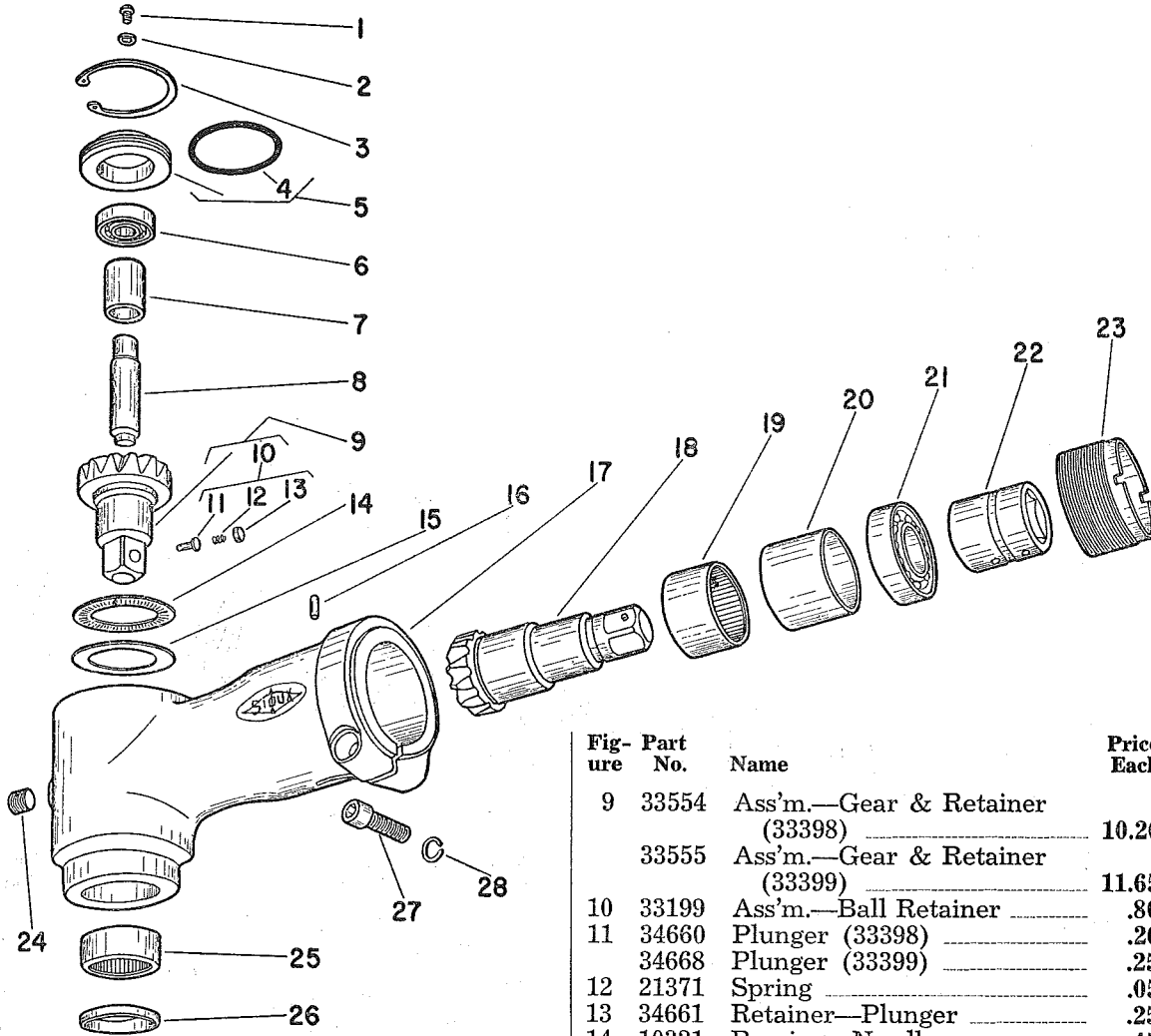


Fig- Part ure No.	Name	Price Each
1	07211 Screw—#10	\$.05
2	09723 Washer—#10	.10
3	21492 Ring—Retainer	.50
4	14333 Ring—"O"	.30
5	33588 Ass'm.—Bearing Retainer (33398)	4.00
	33590 Ass'm.—Bearing Retainer (33399)	4.00
6	10221 Bearing—Ball	2.40
7	34881 Spacer—Gear	1.55
8	34882 Spindle—Pilot	1.85

Fig- Part ure No.	Name	Price Each
9	33554 Ass'm.—Gear & Retainer (33398)	10.20
	33555 Ass'm.—Gear & Retainer (33399)	11.65
10	33199 Ass'm.—Ball Retainer	.80
11	34660 Plunger (33398)	.20
	34668 Plunger (33399)	.25
12	21371 Spring	.05
13	34661 Retainer—Plunger	.25
14	10321 Bearing—Needle	.45
15	10035 Seat—Bearing	.10
16	30315 Pin	.05
17	12241 Housing	7.30
18	33589 Ass'm.—Pinion	15.80
19	10037 Bearing—Needle	.90
20	34885 Spacer	1.20
21	10212 Bearing—Ball	2.95
22	34880 Coupling (33398)	2.45
	33551 Coupling (33399)	5.75
23	34884 Sleeve	1.50
24	30246 Plug	.10
25	10036 Bearing—Needle	.75
26	30316 Seal	.85
27	08014 Screw—1/4"	.20
28	09748 Washer—Lock 1/4"	.05

PRICES ARE NET TO USER AND SUBJECT TO CHANGE WITHOUT NOTICE

ALBERTSON & COMPANY, Inc.
SIoux CITY 2, IOWA, U.S.A.

This pdf incorporates the following model numbers:

2332, 2333