



NOTE: Parts are no longer available for this tool.

The manual will continue on the next page.

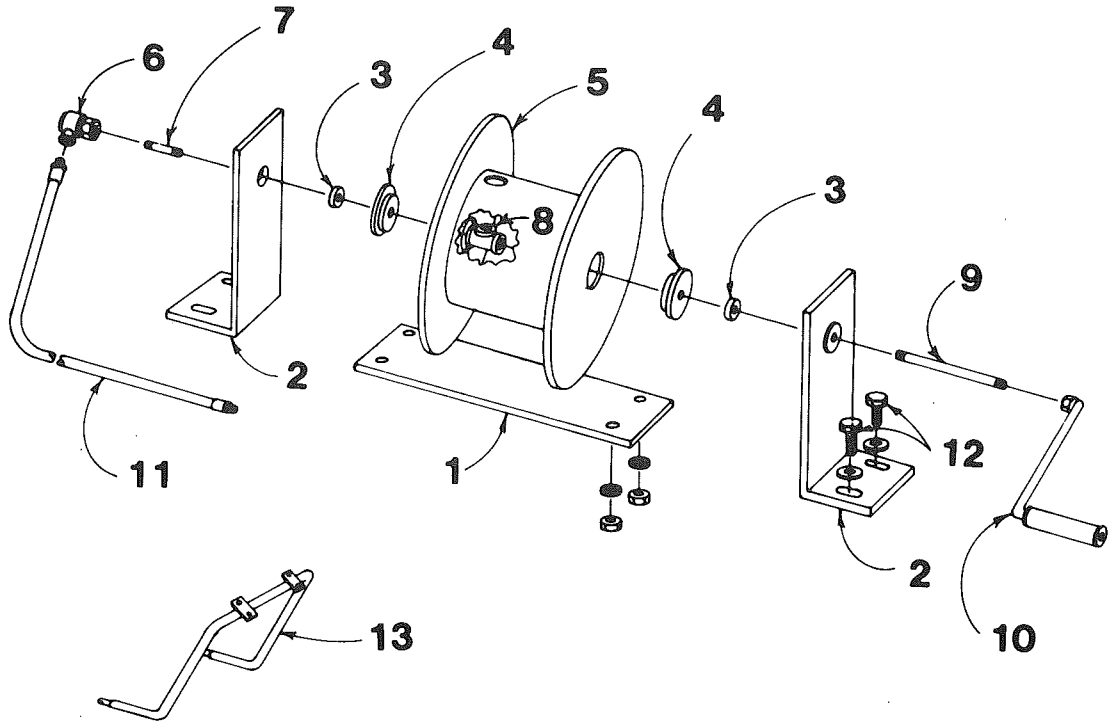


**SIoux
TOOLS INC.**

2901 FLOYD BOULEVARD ■ SIOUX CITY, IOWA 51102 ■

Form A880
Dated 2/86

HOSE REEL NO. 761 for 762 and 763



Parts List for HOSE REEL

FURNISH CATALOG SERIAL & MODEL NUMBER WHEN ORDERING PARTS

Fig- ure	Part No.	Name	Fig- ure	Part No.	Name
1	70405	Base Plate	10	70414	Handle
2	70406	End Bracket (2)*	11	70415	H.P. Feed Hose Assy. (3/8" x 30")
3	70407	Nylon Bearing (2)*	12	70416	Hex Screw 3/8" x 1-1/4" (4)*
4	70408	Roll End Support (2)*		70307	Flat Washer, 3/8" (4)*
5	70409	Spool Housing		70131	Lock Washer, 3/8" (4)*
6	70410	360 ° Swivel		70132	Hex Nut, 3/8" (4)*
7	70411	Nipple, 1/4" x 2-1/2" Gal.	13	70417	Hose Reel Mount
8	70412	Tee, 1/4" Galv.			
9	70413	Nipple, 1/4" x 8" Galv.			

*Order Quantity As Needed

INSTRUCTIONS HOSE REEL NO.761

The hose reel is an optional feature for the washer/sprayers. To install it to the unit follow these steps.

1. Remove handgun hose from unit.
2. Install the 36" long reel feeder hose to the unit.
3. Mount the hose reel mount (ref. 13) to the unit using (2) 1/4" x 1/2" long hex screws.
4. Mount the hose reel to the hose seal mount using (4) 3/8 x 1-1/4 hex screws, lock washers, and hex nuts.
5. Thread the 36" feeder hose to the hose reel swivel.
6. Thread the handgun hose to the tee (ref. 8) located inside the reel drum.
Tighten using a wrench through the slot in the end of the hose reel.
7. Wind the handgun hose around the reel and slide the handgun into the tube.



**SIoux
TOOLS INC.**

2901 FLOYD BOULEVARD ■ SIOUX CITY, IOWA 51102 ■

This pdf incorporates the following model numbers:

761, 762, 763