



NOTE: Parts are no longer available for this tool.

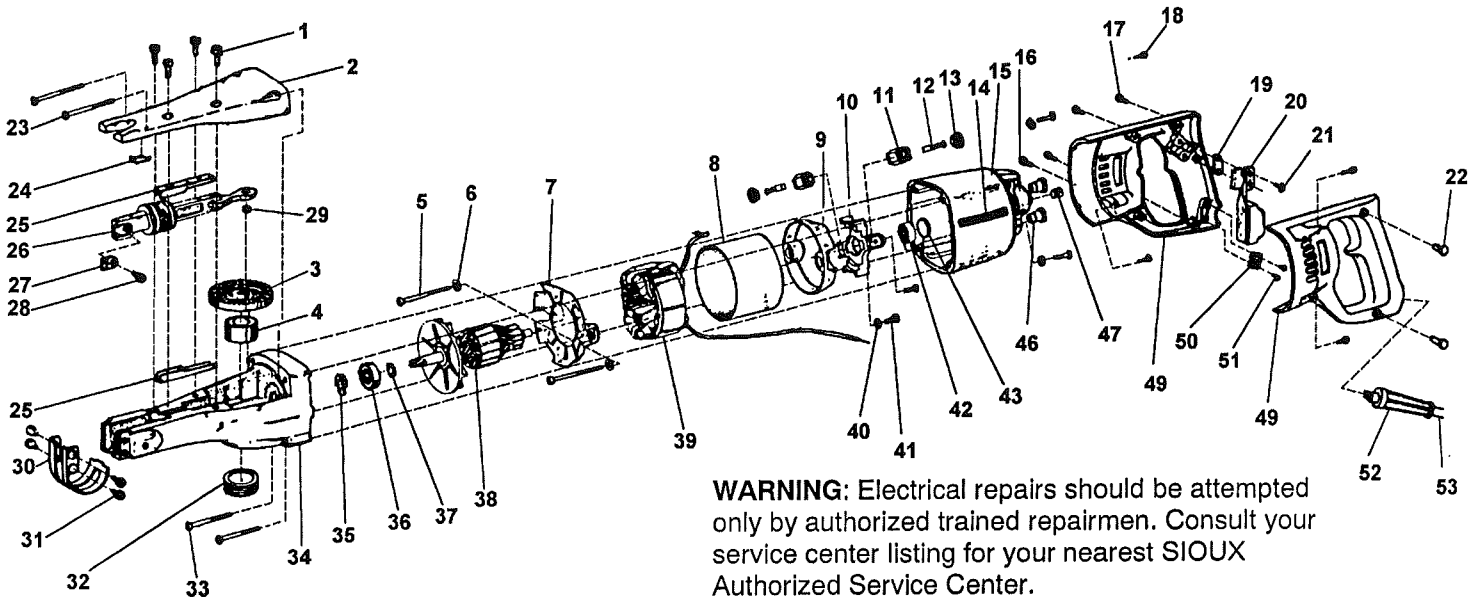
The manual will continue on the next page.



INSTRUCTIONS & PARTS LIST FOR SIOUX-PER SAW

Form No. A873
Date 2-94

8300J, 8300GJ (230V), & 8300G (115V)



WARNING: Electrical repairs should be attempted only by authorized trained repairmen. Consult your service center listing for your nearest SIOUX Authorized Service Center.

Fig. No.	Part No.	Description
1.	07148	Screw (4)*
2.		Cover—Piston Housing
3.	63333	Gear—Bevel
4.	10276	Bearing—Ball
5.	07243	Screw (2)*
6.	09724	Washer—Lock (2)*
7.	04019	Ass'y—Baffle
	54929	Bushing (2)*
8.	05056	Sleeve—Insulating
9.	04002	Insulator—Frame
10.	04017	Ring—Brush Holder
11.	18082	Holder—Brush (2)*
12.	18023	Brush—Motor (Set of 2)
13.	18122	Cap—Brush Holder (2)*
14.	20809	Strip—Decal (2)*
15.	12661	Housing—Motor
16.	06595	Screw (4)*
17.	06596	Screw (2)*
18.	07244	Screw (4)*
19.	04008	Spacer—Switch
20.	18230	Switch (230V)
21.	06660	Screw
22.	54930	Nut (2)*
23.	07146	Screw (2)*
24.	13319	Bearing—Bronze
25.	13320	Bearing—Bronze (2)*
26.	63332	Ass'y—Piston
27.	35731	Clamp—Saw Blade
28.	07087	Screw—Cap
29.	10041	Bearing—Needle
30.	35727	Guide—Saw
31.	06449	Screw—Machine (4)*

Fig. No.	Part No.	Description
32.	54926	Screw—Adjustable
33.	07147	Screw (2)*
34.	63350	Housing—Piston (Includes Fig. 2)
35.	40144	Spring—Loading
36.	10210	Bearing—Ball
37.	35730	Washer
38.	28965J	Armature (230V)
	28965	Armature (115V)
39.	28964J	Field (230V)
	28964	Field (115V)
40.	09836	Washer—Lock (2)*
41.	06236	Screw (2)*
	09706	Washer—Lock (2)*
42.	10931	Bearing—Ball
43.	35732	Washer—Thrust
46.	04009	Bushing—Insulating (2)*
47.	08574	Screw—Set
49.	04020	Ass'y—Handle
	13321	Inserts (2)*
50.	35726	Clamp—Cord
51.	06241	Screw (2)*
52.	04303	Protector—Cord
53.	18433	Cord (230V with Ground)
	65954	Cord (230V without Ground)
	28202	Cord (115V with Ground)

ITEMS NOT SHOWN

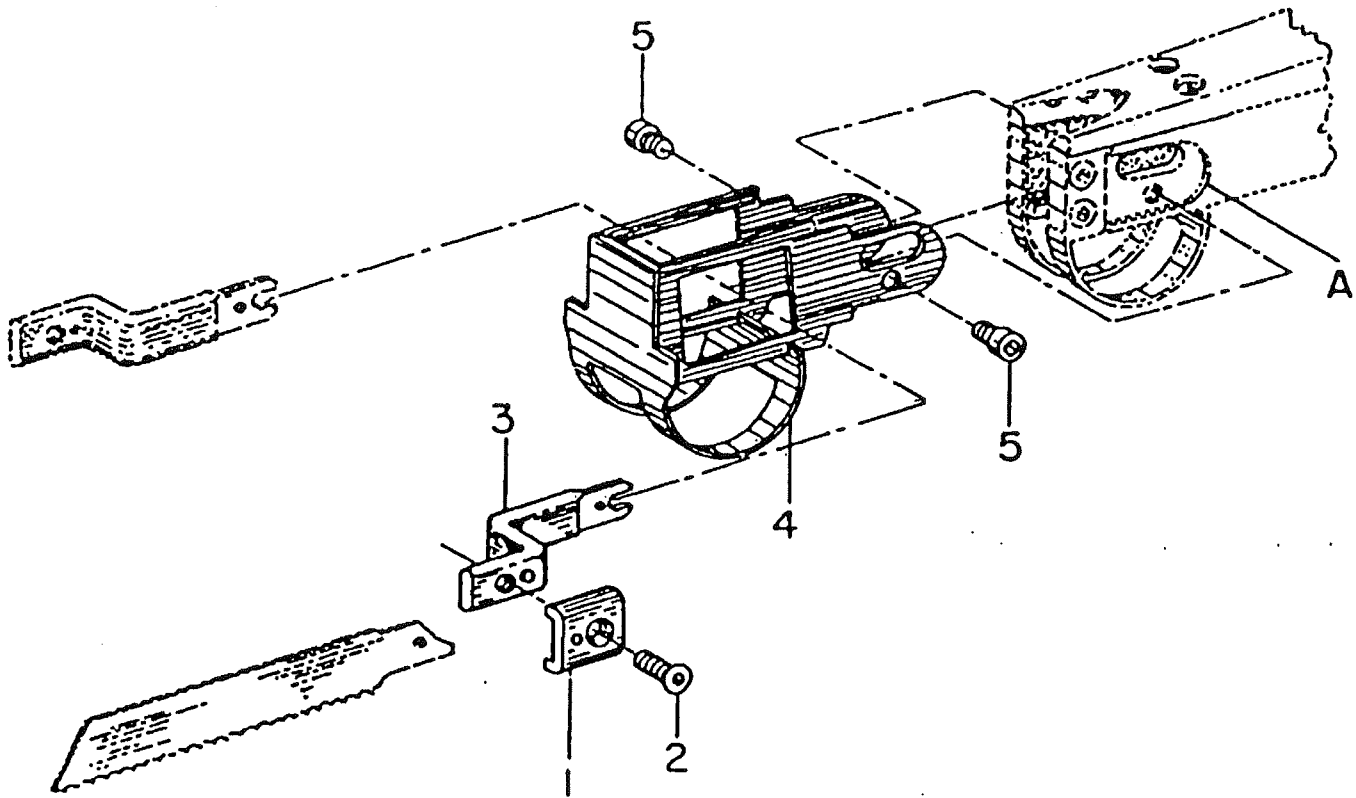
04004	Boot
331	Case—Carrying
30096	Wrench—Hex
04302	Holder—Key
06650	Screw—Grounding
09712	Washer—Lock
20596	Plate—Name (230V with Ground)
20602	Plate—Name (230V without Ground)
20818	Plate—Name (115V with Ground)

**SIOUX
TOOLS INC.**

2901 FLOYD BOULEVARD ■ PO BOX 507 ■ SIOUX CITY, IOWA 51102-0507 ■



INSTRUCTIONS & PARTS LIST FOR NO. 8305 FLUSH-CUT ATTACHMENT To Fit Reciprocating Sioux-Per Saw No. 8300



INSTALLATION—Slip saw guide (Key #4) into slots "A" provided on sides of Super Saw. Fasten saw guide to Super Saw with 2 screws (Key #5). The offset arm (Key #3) is fitted into the Super Saw in the same manner as a saw blade. Loosen saw blade clamp screw in Super Saw sufficiently to allow offset arm to be inserted freely under blade clamp. Make certain offset arm is all the way in and that the projection on the Super Saw blade clamp engages the hole in the tang of the offset arm before tightening blade clamp screw. Offset arm is reversible for right or left hand cuts. Insert saw blade between offset arm and blade clamp (Key #1). Position blade so that projection on blade clamp engages hole in tang of blade, providing positive locking. Secure blade by tightening flat head screw (Key #2).

Fig. No.	Part No.	Description
1.	54947	Clamp—Blade
2.	09089	Screw—Flat Hd. (#10-32 x 1/2)
3.	54948	Arm—Offset
4.	63342	Guide—Saw
5.	06499	Screw—Hex Skt. Cap (#8-32 x 3/8) (2)*
	30417	Wrench—Allen (9/64")

Furnish Catalog Number When Ordering Parts

*Order Quantity As Needed

SIoux TOOLS INC.

2901 FLOYD BOULEVARD ■ PO BOX 507 ■ SIOUX CITY, IOWA 51102-0507 ■

Printed in U.S.A.

This pdf incorporates the following model numbers:

8300J, 8300GJ, 8300G