



NOTE: Parts are no longer available for this tool.

The manual will continue on the next page.



SIoux TOOLS INC.

2901 FLOYD BOULEVARD ■ SIOUX CITY, IOWA 51102 ■

Parts List for No. 270, 270-2, 270-4 Sioux Rivet Hammers

(Serial C)

Furnish Catalog and Serial Number When Ordering Parts

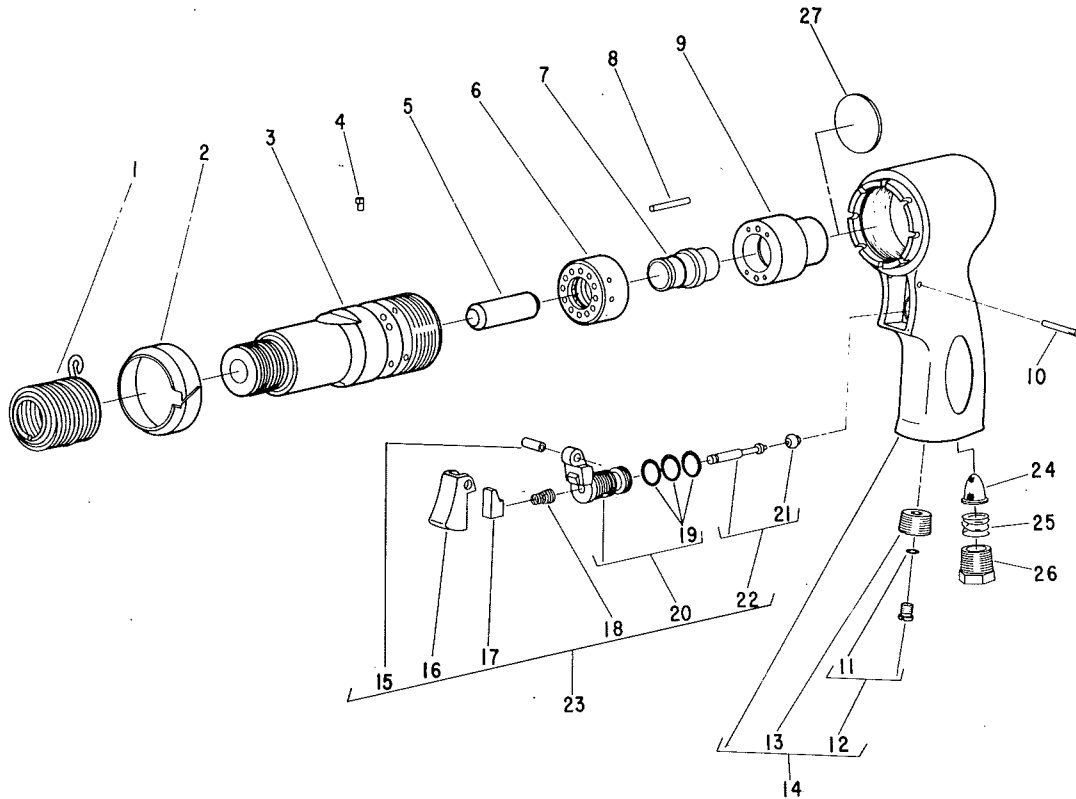


Figure	Part No.	Name
1	2207	Spring
2	30385	Deflector-Exhaust
3	30384	Barrel 270
	65211	Barrel 270-2
	65212	Barrel 270-4
4	30391	Pin-Barrel Lock
5	30386	Plunger 270, 270-4
	65210	Plunger 270-2
6	30387	Cylinder-Front Air
7	30389	Sleeve-Cylinder
8	30347	Pin-Cylinder Lock
9	30388	Cylinder-Back Air
10	30613	Pin
11	14369	Ring-"O"
12	44253	Oiler Screw
13	44755	Insert-Oiler
14	65368	Ass'y-Handle
	63158	Ass'y-Handle complete (Includes Figs 10-27)

Figure	Part No.	Name
15	44754	Bushing
16	14180	Trigger
17	14181	Actuator-Valve
18	21401	Spring
19	14312	Ring-"O" (3)*
20	63157	Ass'y-Valve Body & "O"
21	14325	Valve
22	63156	Ass'y-Valve
23	63123	Ass'y-Adj. Teasing Throttle Valve
24	33993	Screen-Air
25	21417	Spring
26	44100	Bushing-Reducing
27	35116	Washer

* order quantity as needed

This pdf incorporates the following model numbers:

270, 270-2, 270-4