



NOTE: Parts are no longer available for this tool.

The manual will continue on the next page.

Parts List for No. 270

SIoux SLUGGER

(Serial No's. Starting with "B")

Furnish Catalog and Serial Number When Ordering Parts

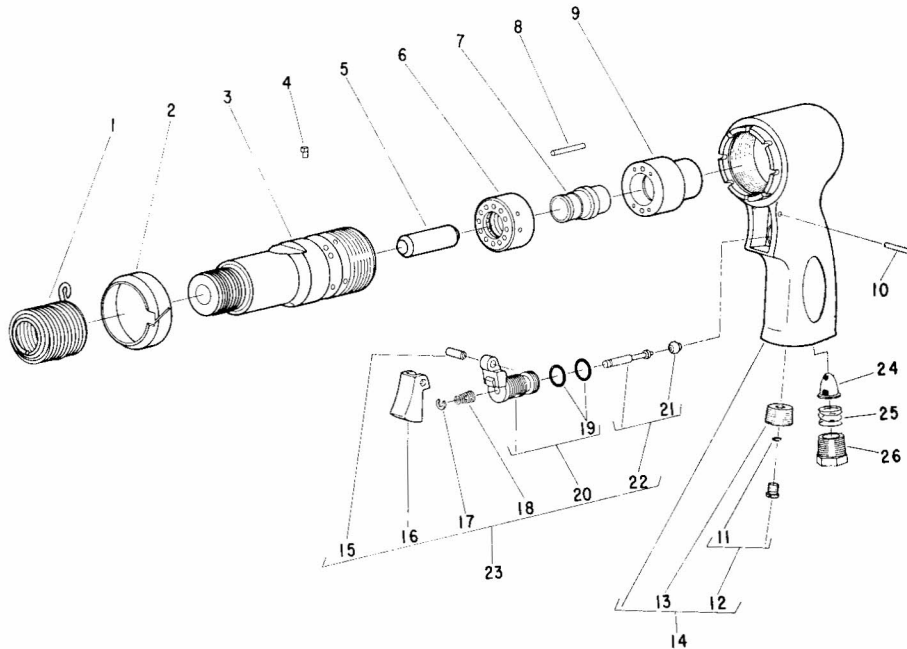


Fig-ure	Part No.	Name
1	2207	Spring
2	30385	Deflector—Exhaust
3	30384	Barrel
4	30391	Pin—Barrel Lock
5	30386	Plunger
6	30387	Cylinder—Front Air
7	30389	Sleeve—Cylinder
8	30347	Pin—Cylinder Lock
9	30388	Cylinder—Back Air
10	30613	Pin
11	14369	Ring—"O"
12	44253	Oiler Screw
13	44755	Insert—Oiler
14	53740	Handle (Malleable Iron)
	43719	Handle (Aluminum) Incl's. Fig's. 10 thru 26
	35116	Washer (Use with Aluminum Handle)

Fig-ure	Part No.	Name
15	44754	Bushing
16	53182	Trigger
17	21542	Retainer
18	21401	Spring
19	14312	Ring—"O" (2)*
20	53258	Ass'y.—Valve Body &"O" Rings
21	14325	Valve
22	53246	Ass'y.—Valve
23	53245	Ass'y.—Adj. Throttle Valve
24	33993	Screen—Air
25	21417	Spring
26	44100	Bushing—Reducing

* Order Quantity As Needed

**SIoux
TOOLS INC.**

This pdf incorporates the following model numbers:

270