



NOTE: Parts are no longer available for this tool.

The manual will continue on the next page.



2901 FLOYD BOULEVARD ■ SIOUX CITY, IOWA 51102 ■

Parts List for No. 270

SIOUX SLUGGER

(SERIAL 22000 & UP)

Furnish Catalog and Serial Number When Ordering Parts

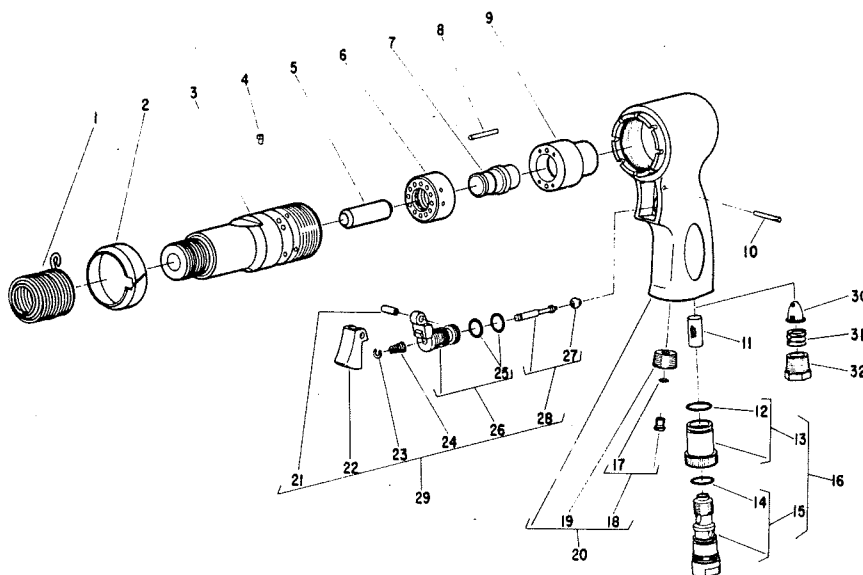


Fig- ure	Part No.	Name	Fig- ure	Part No.	Name
1	2207	Spring			
2	30385	Deflector—Exhaust	†	43719	Handle (Aluminum) (Incl's. Replacement for all items Fig's. 10 thru 29 plus 35116 Washer)
3	30384	Barrel		35116	Washer (Use with Aluminum Handle)
4	30391	Pin—Barrel Lock	21	44754	Bushing
5	30386	Plunger	22	14087	Trigger
6	30387	Cylinder—Front Air	†	53182	Trigger
7	30389	Sleeve—Cylinder	23	21542	Retainer
8	30347	Pin—Cylinder Lock	24	21401	Spring
9	30388	Cylinder—Back Air	25	14312	Ring—"O" (2)*
10	30613	Pin	26	53258	Ass'y.—Valve Body & "O" Rings
11	30593	Screen—Air	27	14325	Valve
12	14281	Ring—"O"	28	53039	Ass'y.—Valve
13	53049	Ass'y.—Regulator & "O" Ring	†	53246	Ass'y.—Valve
14	14378	Ring—"O"	29	53183	Ass'y.—Throttle Valve
15	53048	Ass'y.—Regulator Body & "O" Ring	†	53245	Ass'y.—Adj. Throttle Valve
16	53002	Ass'y.—Regulator	†30	33993	Screen—Air
17	14369	Ring—"O"	†31	21417	Spring
18	44253	Oiler Screw	†32	44100	Bushing—Reducing
19	44755	Insert—Oiler			
20	53741	Handle (Malleable Iron) Incl's Replacement for Fig.'s 10 thru 29			

† For later style units with Aluminum Handle using an Adjustable Trigger Air Regulator.

* Order Quantity As Needed



2901 FLOYD BOULEVARD ■ SIOUX CITY, IOWA 51102 ■

Parts List for No. 270

SIOUX SLUGGER

(Serial No's. Starting with "B" and "C")

Furnish Catalog and Serial Number When Ordering Parts

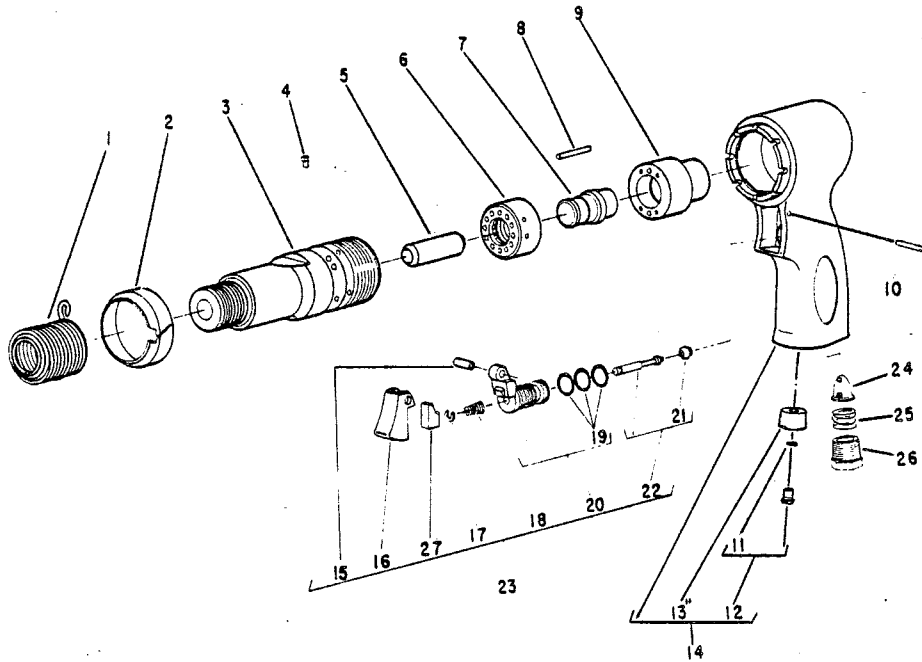


Figure	Part No.	Name
1	2207	Spring
2	30385	Deflector—Exhaust
3	30384	Barrel
4	30391	Pin—Barrel Lock
5	30386	Plunger
6	30387	Cylinder—Front Air
7	30389	Sleeve—Cylinder
8	30347	Pin—Cylinder Lock
9	30388	Cylinder—Back Air
10	30613	Pin
11	14369	Ring—"O"
12	44253	Oiler Screw
13	44755	Insert—Oiler
14	53740	Handle (Malleable Iron)
	63158	Handle (Aluminum) Incl's Fig's. 10 thru 27
	35116	Washer (Use with Aluminum Handle)

Figure	Part No.	Name
15	44754	Bushing
16	53182	Trigger (Ser. "B")
	14180	Trigger (Ser. "C")
17	21542	Retainer (Ser. "B")
18	21401	Spring
19	14312	Ring—"O" (3)
20	53258	Ass'y.—Valve Body & "O" Rings (Ser. "B")
	63157	Ass'y.—Valve Body & "O" (Ser. "C")
21	14325	Valve
22	53246	Ass'y.—Valve (Ser. "B")
	63156	Ass'y.—Valve (Ser. "C")
23	53245	Ass'y.—Adj. Throttle Valve (Ser. "B")
	63123	Ass'y.—Adj. Teasing Throttle Valve (Ser. "C")
24	33993	Screen—Air
25	21417	Spring
26	44100	Bushing—Reducing
27	14181	Actuator—Valve (Ser. "C")

* Order Quantity As Needed

SIoux



TOOLS

Parts List for No. 270

SIoux SLUGGER

(SERIAL 22000 & UP)

Furnish Catalog and Serial Number When Ordering Parts

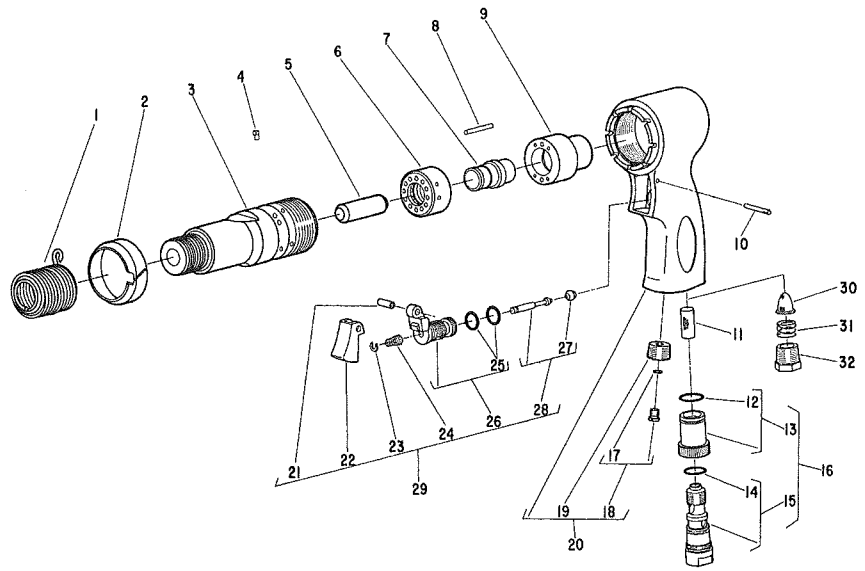


Fig- ure	Part No.	Name	Fig- ure	Part No.	Name
1	2207	Spring	†	43719	Handle (Aluminum) (Incl's. Replacement for all items Fig's. 10 thru 29 plus 35116 Washer)
2	30385	Deflector—Exhaust		35116	Washer (Use with Aluminum Handle)
3	30384	Barrel	21	44754	Bushing
4	30391	Pin—Barrel Lock	22	14087	Trigger
5	30386	Plunger	†	53182	Trigger
6	30387	Cylinder—Front Air	23	21542	Retainer
7	30389	Sleeve—Cylinder	24	21401	Spring
8	30347	Pin—Cylinder Lock	25	14312	Ring—"O" (2)*
9	30388	Cylinder—Back Air	26	53258	Ass'y.—Valve Body & "O" Rings
10	30613	Pin	27	14325	Valve
11	30593	Screen—Air	28	53039	Ass'y.—Valve
12	14281	Ring—"O"	†	53246	Ass'y.—Valve
13	53049	Ass'y.—Regulator & "O" Ring	29	53183	Ass'y.—Throttle Valve
14	14378	Ring—"O"	†	53245	Ass'y.—Adj. Throttle Valve
15	53048	Ass'y.—Regulator Body & "O" Ring	†30	33993	Screen—Air
16	53002	Ass'y.—Regulator	†31	21417	Spring
17	14369	Ring—"O"	†32	44100	Bushing—Reducing
18	44253	Oiler Screw			
19	44755	Insert—Oiler			
20	53741	Handle (Malleable Iron) Incl's Replacement for Fig's 10 thru 29			

† For later style units with Aluminum Handle using an Adjustable Trigger Air Regulator.

* Order Quantity As Needed

SIoux TOOLS INC.
SIoux CITY, IOWA, U.S.A. 51102

SIoux**TOOLS**

Parts List for No. 270

SIoux SLUGGER

(Serial No's. Starting with "B")

Furnish Catalog and Serial Number When Ordering Parts

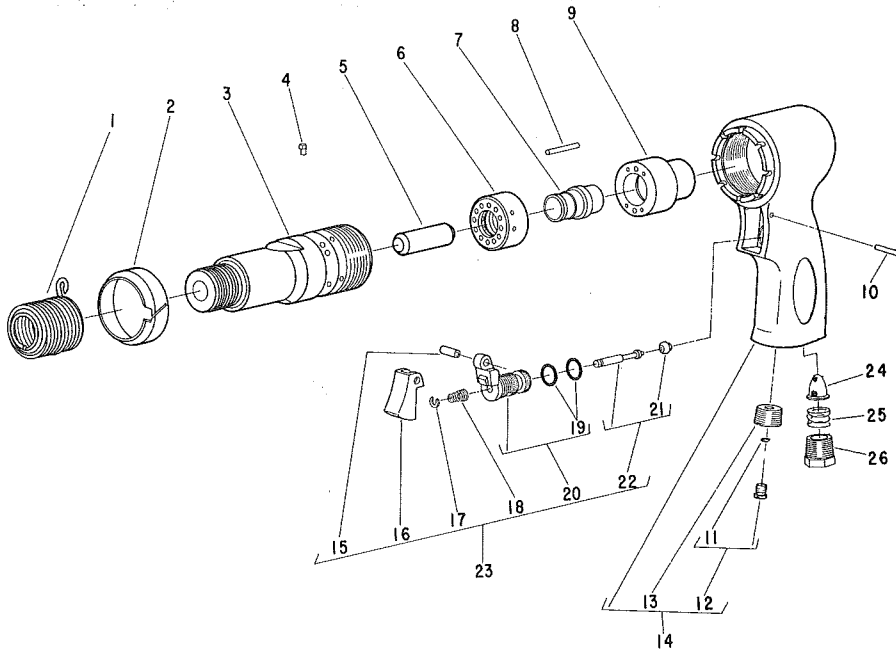


Fig-ure	Part No.	Name
1	2207	Spring
2	30385	Deflector—Exhaust
3	30384	Barrel
4	30391	Pin—Barrel Lock
5	30386	Plunger
6	30387	Cylinder—Front Air
7	30389	Sleeve—Cylinder
8	30347	Pin—Cylinder Lock
9	30388	Cylinder—Back Air
10	30613	Pin
11	14369	Ring—"O"
12	44253	Oiler Screw
13	44755	Insert—Oiler
14	53740	Handle (Malleable Iron)
	43719	Handle (Aluminum) Incl's. Fig's. 10 thru 26
	35116	Washer (Use with Aluminum Handle)

Fig-ure	Part No.	Name
15	44754	Bushing
16	53182	Trigger
17	21542	Retainer
18	21401	Spring
19	14312	Ring—"O" (2)*
20	53258	Ass'y.—Valve Body & "O" Rings
21	14325	Valve
22	53246	Ass'y.—Valve
23	53245	Ass'y.—Adj. Throttle Valve
24	33993	Screen—Air
25	21417	Spring
26	44100	Bushing—Reducing

* Order Quantity As Needed

SIoux TOOLS INC.

This pdf incorporates the following model numbers:

270