



PARTS LIST FOR SIOUX TAPPER

2L2150, 2L2150LC (700 RPM)

2L2550, 2L2550B, & 2L2550LC (400 RPM)

2P2550 & 2P2550B (400 RPM)

SERIAL "A"

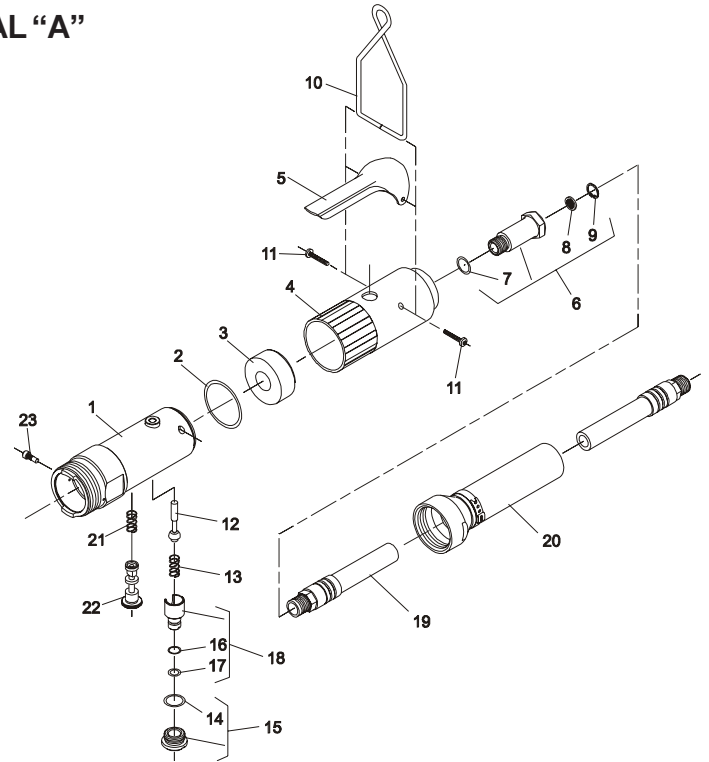
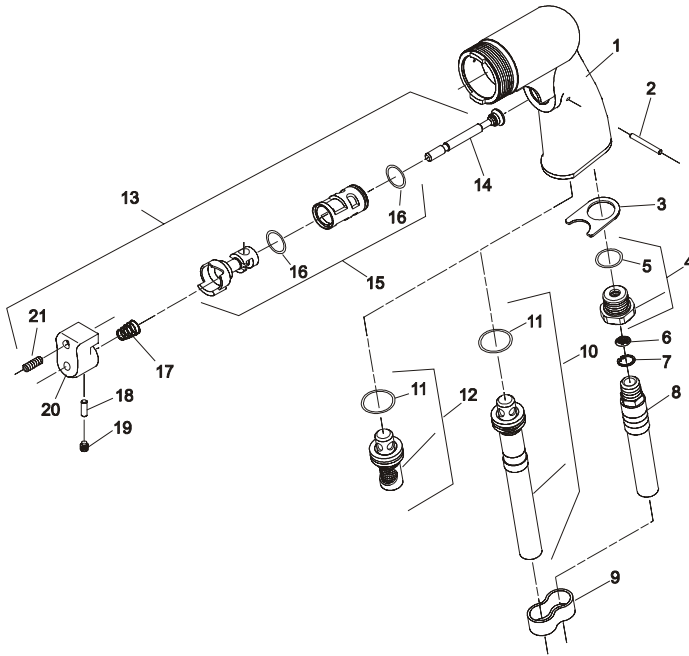


Fig. No.	Part No.	Description	
1.	12660	Housing (Includes Name Plate)	
2.	40157	Pin—Dowel	
3.	54968	Retainer—Exhaust	
4.	54955	Adapter—Inlet	
5.	14281	Ring—"O"	
6.	30463	Screen	
7.	21541	Ring—Retainer	
8.	1376	Ass'y—Leader Hose	Remote Exhaust
9.	40153	Clip—Hose (3)*	
10.	63546	Ass'y—Exhaust Tube	
11.	14366	Ring—"O"	
12.	63545	Ass'y—Silencer	
13.	65217	Ass'y—Trigger (Rev.)	
14.	54222	Valve	
15.	65227	Valve & Sleeve Body	
16.	14378	Ring—"O" (2)*	
17.	21401	Spring	
18.	40155	Pin—Dowel (1/8" x 3/8")	
19.	06458	Screw—Set (#8-32 x 3/16")	
20.	12676	Trigger	
21.	06459	Screw—Set (#8-32 x 1/2")	

COMPLETE ASSEMBLY
63360 Ass'y—Housing Complete (Rev)
(Includes Figs. 1-7, 12-13)

Fig. No.	Part No.	Description	
1.	64035	Housing (Reversing)	
2.	14333	Ring—"O"	
3.	40116	Material—Exhaust	
4.	04041	Cover—Housing (Reversing)	
5.	35737	Lever	
6.	54837	Adapter—Intake	
7.	14312	Ring—"O"	
8.	30463	Screen	
9.	21541	Ring—Retaining	
10.	41334	Bail	
11.	65499	Screw—Pan Hd. (Self-Tap)(#6-32 x 3/4)(2)*	
12.	63241	Ass'y—Valve	
13.	21427	Spring	
14.	14309	Ring—"O"	
15.	54844	Retainer—Speed Control	
16.	14290	Ring—"O"	
17.	14291	Ring—"O"	
18.	54843	Speed—Control	
19.	1376	Hose—Leader	Remote Exhaust
20.	63355	Ass'y—Hose Exhaust	
21.	21427	Spring (Reversing Only)	
22.	64038	Spool—Valve (Reversing Only)	
23.	06254	Screw—Spool Retaining (Reversing Only)	

COMPLETE ASSEMBLY
63443 Ass'y—Housing (Reversing)
(Includes Figs. 1-18 & 21-23)

*Order Quantity As Needed

FURNISH CATALOG, SERIAL, AND MODEL NUMBER WHEN ORDERING PARTS

SIOUX TOOLS INC.

250 SNAP-ON DRIVE ■ PO BOX 1596 ■ MURPHY, NC 28906 ■ USA ■

Printed In U.S.A.



PARTS LIST FOR SIOUX TAPPER
2L2150, 2L2150LC (700 RPM)
2L2550, 2L2550B, & 2L2550LC (400 RPM)
2P2550 & 2P2550B (400 RPM)
SERIAL "A"

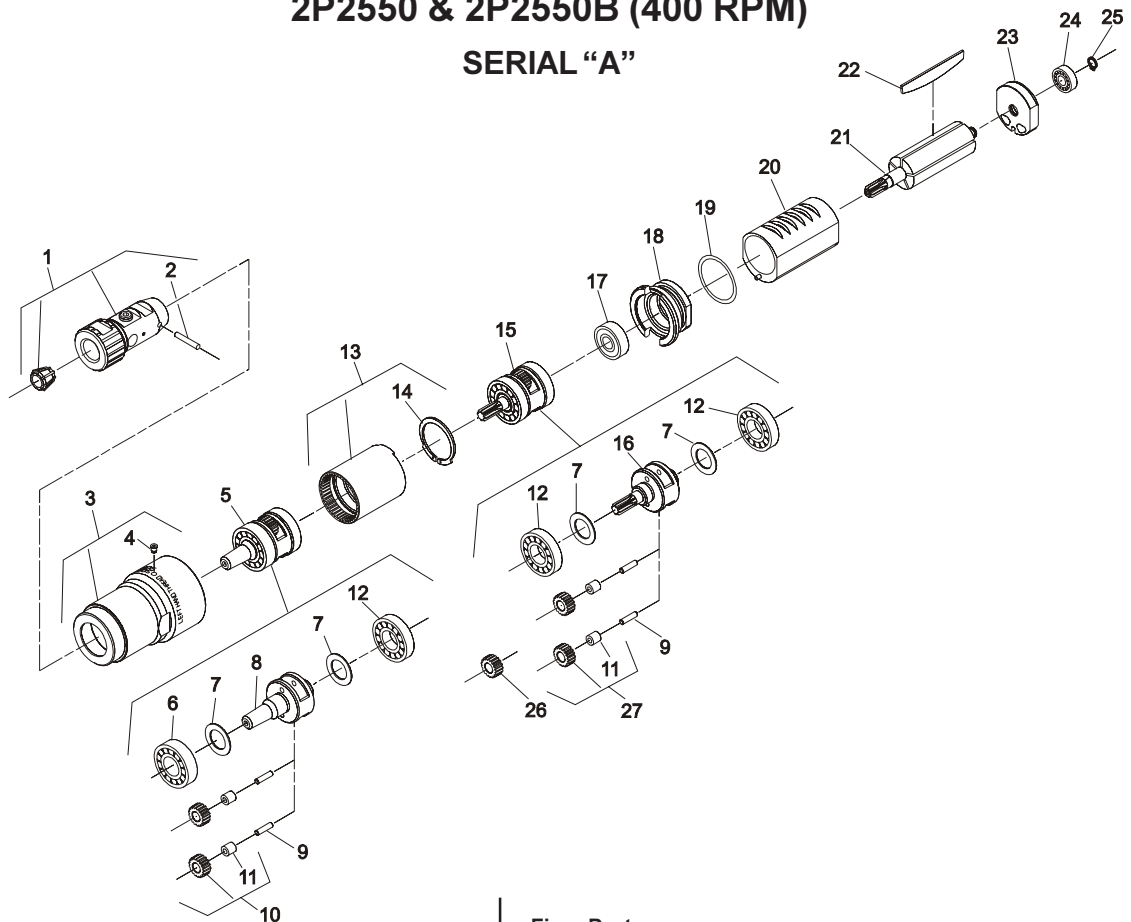


Fig. No.	Part No.	Description
1.	21094	Tap Chuck (#10-5/16 Cap)(Included in Fig. 5 or 8)
	Tap Chuck Components Available:	
	67124	Nut
	21095	Collet—Tap Chuck (#10—5/16 Cap) (2L2150, 2L2550, 2P2550)
	21139	Collet—Tap Chuck (1/4—1/2 Cap) (2L2550B, 2P2550B & Optional)
	66186	Back Jaws
2.	40136	Pin—Tapered (2/0 x 1 1/2")(Included in Fig. 5 or 8)
3.	64003	Case—Gear
4.	30375	Fitting—Grease
5.	63321	Ass'y—Planetary Reduction and Tap Chuck (Includes Fig. 1)
	43216	Ass'y—Planetary Reduction
6.	10228	Bearing—Ball
7.	25439	Washer (4)*
8.	63322	Ass'y—Tapper Spindle and Chuck (Includes Fig. 1)
	22620	Spindle—Tapered
9.	30062	Pin (4)*
10.	19314	Ass'y—Gear and Bearing (2)*
11.	10040	Bearing—Needle (4)*
12.	10203	Bearing—Ball (3)*
13.	19266	Gear—Ring

Fig. No.	Part No.	Description
14.	21510	Ring—Retainer
15.	63386	Ass'y—Planetary Reduction (400 RPM)
	63377	Ass'y—Planetary Reduction (700 RPM)
16.	64160	Carrier—Gear (400 RPM)
	64159	Carrier—Gear (700 RPM)
17.	10220	Bearing—Ball
18.	13550	End Plate—Front
19.	14342	Ring—"O"
20.	64108	Cylinder
21.	54860	Rotor (6 Tooth)(700 RPM)
	54861	Rotor (8 Tooth)(400 RPM)
22.	63192	Ass'y—Rotor Vane (Set of 5)
23.	10552	End Plate—Rear
24.	10230	Bearing—Ball
25.	21491	Ring—Retainer
26.	19267	Gear—Pinion (700 RPM)
27.	19314	Ass'y—Gear and Bearing (2)*(400 RPM)
	19331	Ass'y—Gear and Bearing (2)*(700 RPM)

COMPLETE ASSEMBLY

- 63376 Ass'y—Motor (8 Tooth)(Rev)(400 RPM)(Includes Figs. 17-25)
- 63375 Ass'y—Motor (6 Tooth)(Rev)(700 RPM)(Includes Figs. 17-25)

**SIOUX
TOOLS INC.**

250 SNAP-ON DRIVE ■ PO BOX 1596 ■ MURPHY, NC 28906 ■ USA ■

*Order Quantity As Needed
 FURNISH CATALOG, SERIAL, AND MODEL
 NUMBER WHEN ORDERING PARTS

Printed In U.S.A.

This pdf incorporates the following model numbers:

2L2150, 2L2150LC, 2L2550, 2L2550B, 2L2550LC, 2P2550, 2P2550B