



INSTRUCTIONS & PARTS LIST FOR NO. 2 1/2 SERIES MULTI-ASSEMBLY TOOLS AIR ANGLE SCREWDRIVER, NUTRUNNERS, & DRILLS

SERIAL "D"

Fig. No.	Part No.	Description
1.	64035	Housing (Reversing)
	64036	Housing (Non-Reversing)
2.	14333	Ring—"O"
3.	40116	Material—Exhaust
4.	04041	Cover—Housing (Reversing)
	04042	Cover—Housing (Non-Reversing)
5.	35737	Lever
6.	54837	Adapter-Intake
7.	14312	Ring—"O"
8.	30463	Screen
9.	21541	Ring—Retaining
10.	41334	Bail
11.	65499	Screw—Pan Hd. (Self-Tap)(#6-32 x 3/4)(2)*
12.	63241	Ass'y—Valve
13.	21427	Spring
14.	14309	Ring—"O"
15.	54844	Retainer—Speed Control
16.	14290	Ring—"O"
17.	14291	Ring—"O"
18.	54843	Speed—Control
19.	1376	Hose—Leader
20.	63355	Ass'y—Hose Exhaust
21.	64038	Spool—Valve (Reversing Only)
	64097	Spool—Valve Locking
22.	06254	Screw—Spool Retaining (Reversing Only)

COMPLETE ASSEMBLY

63443	Ass'y—Housing (Reversing) (Includes Figs. 1-18 & 21-23)
63444	Ass'y—Housing (Non-Reversing) (Includes Figs. 1-18)

LEVER HOUSING

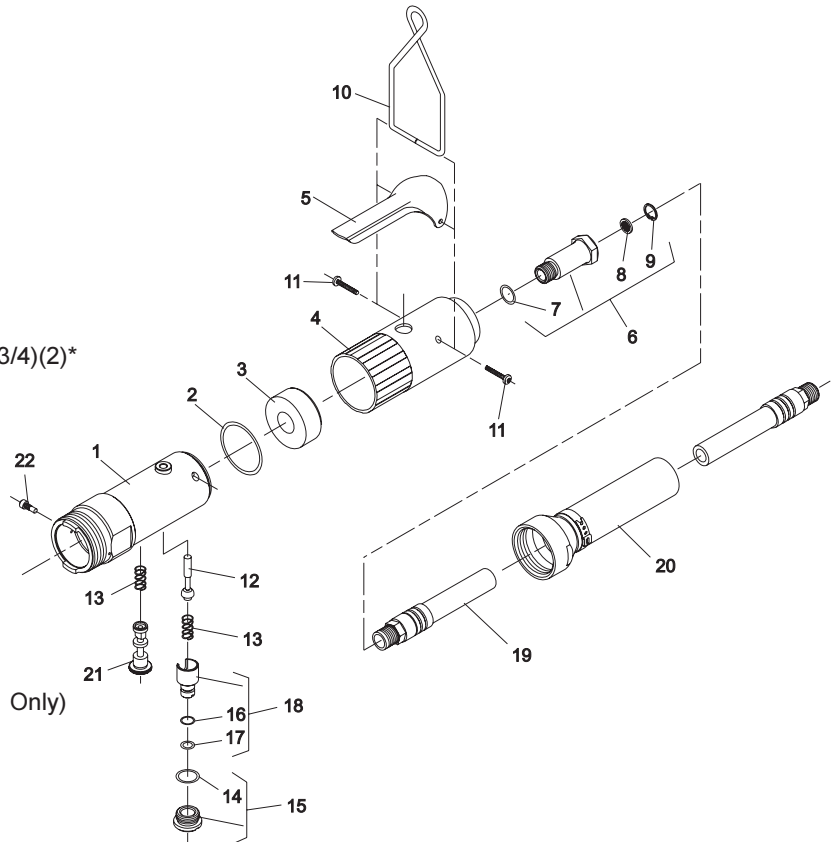
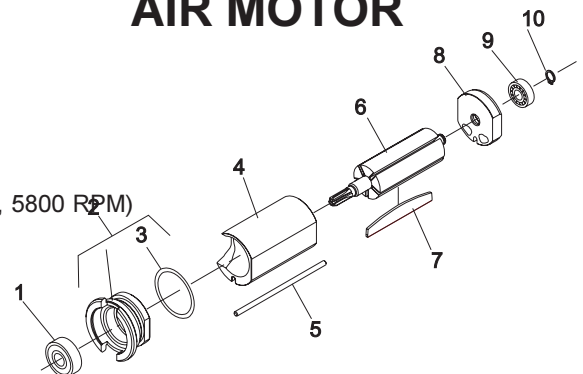


Fig. No.	Part No.	Description
1.	10220	Bearing—Ball
2.	13550	End Plate—Front
3.	14342	Ring—"O"
4.	64108	Cylinder (Reversing)
	64057	Cylinder (Non-Reversing)
5.	68403	Pin
6.	67855	Rotor (6-Tooth)(700, 900, 1200, 1600, 2000, 2600 4400, 5800 RPM)
	67856	Rotor (8-Tooth)(400, 540, 2500, 3350 RPM)
7.	63192	Ass'y—Rotor Vane (Set of 5)
8.	10552	End Plate—Rear
9.	10230	Bearing—Ball
10.	21491	Ring—Retaining

COMPLETE ASSEMBLY

75200	Ass'y—Motor (6-Tooth)(Reversing)(700, 1200, 2000, 4400 RPM)
75201	Ass'y—Motor (8-Tooth)(Reversing)(400, 2500 RPM)

AIR MOTOR



*Order Quantity As Required

FURNISH CATALOG, SERIAL, AND MODEL NUMBER WHEN ORDERING PARTS

SIoux TOOLS INC.

250 SNAP-ON DRIVE ■ PO BOX 1596 ■ MURPHY, NC 28906 ■ USA ■

Printed In U.S.A.

ANGLE TOOLS

*Order Quantity As Required

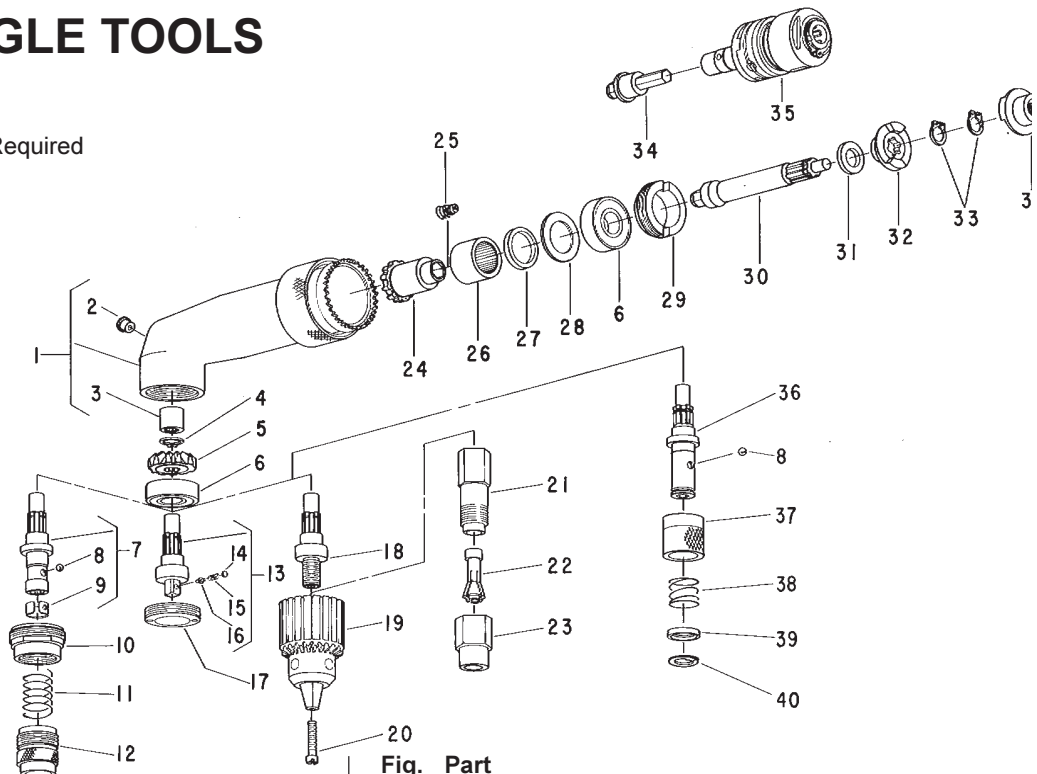


Fig. No.	Part No.	Description	
1.	43794	Ass'y—Long Angle Head	
	43795	Ass'y—Short Angle Head	
2.	30356	Fitting—Grease	
3.	10012	Bearing—Needle	
4.	21545	Ring—Retaining	
5.	19721A	Ass'y—Gear and Pinion (Includes Fig. 24)	
	19721	Ass'y—Gear and Pinion (Includes Fig. 24) (Used on Earlier Models)	
6.	10226	Bearing—Ball (2)*	
7.	43562	Ass'y—Drive Socket	Screwdriver
8.	10902	Ball—Steel	
9.	25854	Ring—Ball Retaining	Screwdriver
10.	44036	Retainer—Bearing	
11.	41251	Spring—Finder	Nutrunner
12.	54128	Retainer—Finder	
13.	43563	Spindle—Tool (1/4" Sq.)	Nutrunner
	43564	Spindle—Tool (3/8" Sq.)	
14.	34667	Retainer—Plunger	Nutrunner
15.	21391	Spring (1/4" Sq.)	
	21223	Spring (3/8" Sq.)	Nutrunner
16.	34965	Plunger (1/4" Sq.)	
	34666	Plunger (3/8" Sq.)	Nutrunner
17.	44776	Retainer—Bearing (Nutrunner and Drill, Quick Change)	
18.	22651	Spindle—Chuck (Drill and Collet)	
19.	21019A	Chuck (0-1/4" Cap)	
	21133	Chuck 1/16"-3/8" Cap)	
	30202	Key—1/4" Chuck (Not shown)	
	30002	Key—3/8" Chuck (Not shown)	
20.	57250	Screw (1/4" Chuck)	
	57250R	Screw (3/8" Chuck)	
21.	21096	Body—Collet	
22.	44440	Collet—1/4"	
	44523	Collet—3/16"	
	44522	Collet—1/8"	
23.	21097	Nut—Collet	
	30465	Wrench (9/16")	
	30466	Wrench (11/16")	
24.	19721A	Ass'y—Gear and Pinion (Includes Fig. 5)	

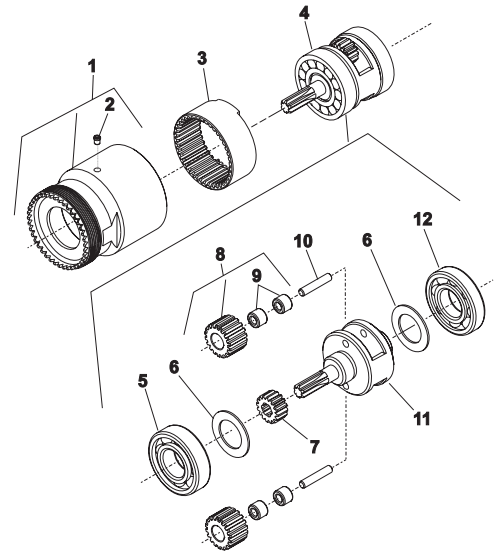
Fig. No.	Part No.	Description
25.	21401	Spring
26.	10049	Bearing—Needle
27.	44780	Spacer (Used Only With 19721)
28.	35214	Washer
29.	44775	Retainer—Bearing
30.	64042	Connector—Short (Direct Clutch Screwdriver)
	64043	Connector—Long (Direct Clutch Nutrunner)
31.	44663	Spacer (Direct Clutch)
32.	64039	Clutch—Direct (2)*
33.	21500	Ring—Retaining (2)*
34.	54101	Connector (Adjustable Clutch)
35.	53107	Ass'y—Adjustable Clutch
36.	22719	Spindle—Drive
37.	54468	Retainer—Ball
38.	21406	Spring—Quick Change
39.	44660	Ring—Guide
40.	21501	Ring—Retaining

COMPLETE ASSEMBLY

63497	Ass'y—Short Angle Head (Direct Clutch—Screwdriver)
63498	Ass'y—Long Angle Head (Direct Clutch—1/4" Sq. Nutrunner)
63499	Ass'y—Long Angle Head (Direct Clutch—3/8" Sq. Nutrunner)
63559	Ass'y—Short Angle Head (Direct Clutch—Screwdriver Quick Change)
53110	Ass'y—Long Angle Head (Adjustable Clutch—1/4" Sq. Nutrunner)
53111	Ass'y—Long Angle Head (Adjustable Clutch—3/8" Sq. Nutrunner)
53112	Ass'y—Long Angle Head (Adjustable Clutch—Screwdriver)
63558	Ass'y—Long Angle Head (Adjustable Clutch—Screwdriver Quick Change)
63500	Ass'y—Short Angle Head (1/4" Drill)
63501	Ass'y—Short Angle Head (3/8" Drill)

SINGLE REDUCTION GEAR CASE (2000, 2500, 2600, 3350, 5800 RPM)

Fig. No.	Part No.	Description
1.	67931	Case—Gear
2.	30375	Fitting—Grease
3.	67858	Gear—Ring
4.	67911	Ass'y—Planetary Reduction (2000, 2600 RPM)
	67912	Ass'y—Planetary Reduction (2500, 3350 RPM)
	67913	Ass'y—Planetary Reduction (5800 RPM)
5.	10228	Bearing—Ball
6.	25439	Washer (2)*
7.	67860	Gear—Pinion (5800 RPM)
8.	67944	Ass'y—Gear and Bearing (2000, 2600 RPM)(2)*
	67868	Ass'y—Gear and Bearing (2500, 3350 RPM)(2)*
	67866	Ass'y—Gear and Bearing (5800 RPM)(2)*
9.	10080	Bearing—Needle (4)*
10.	67857	Pin (2)*
11.	67884	Carrier—Gear (2000, 2600 RPM)
	67885	Carrier—Gear (2500, 3350 RPM)
	67886	Carrier—Gear (5800 RPM)
12.	10203	Bearing—Ball



DOUBLE REDUCTION GEAR CASE (400, 540, 700, 900, 1200, 1600 RPM)

Fig. No.	Part No.	Description
1.	67932	Case—Gear
2.	30375	Fitting—Grease
3.	67912	Ass'y—Planetary Reduction (400, 540, 700, 900 RPM)
	67943	Ass'y—Planetary Reduction (1200, 1600 RPM)
4.	10228	Bearing—Ball
5.	25439	Washer (4)*
6.	67860	Gear—Pinion (1200, 1600 RPM)
7.	67868	Ass'y—Gear and Bearing (400, 540, 700, 900 RPM)(2)*
	67865	Ass'y—Gear and Bushing (1200, 1600 RPM)(2)*
8.	10080	Bearing—Needle (4)*
9.	67857	Pin (4)*
10.	67885	Carrier—Gear (400, 540, 700, 900 RPM)
	67886	Carrier—Gear (1200, 1600 RPM)
11.	10203	Bearing—Ball (3)*
12.	67859	Gear—Ring
13.	21510	Ring—Retainer
14.	67918	Ass'y—Planetary Reduction (400, 540 RPM)
	67919	Ass'y—Planetary Reduction (700, 900 RPM)
	67920	Ass'y—Planetary Reduction (1200, 1600 RPM)
15.	67860	Gear—Pinion

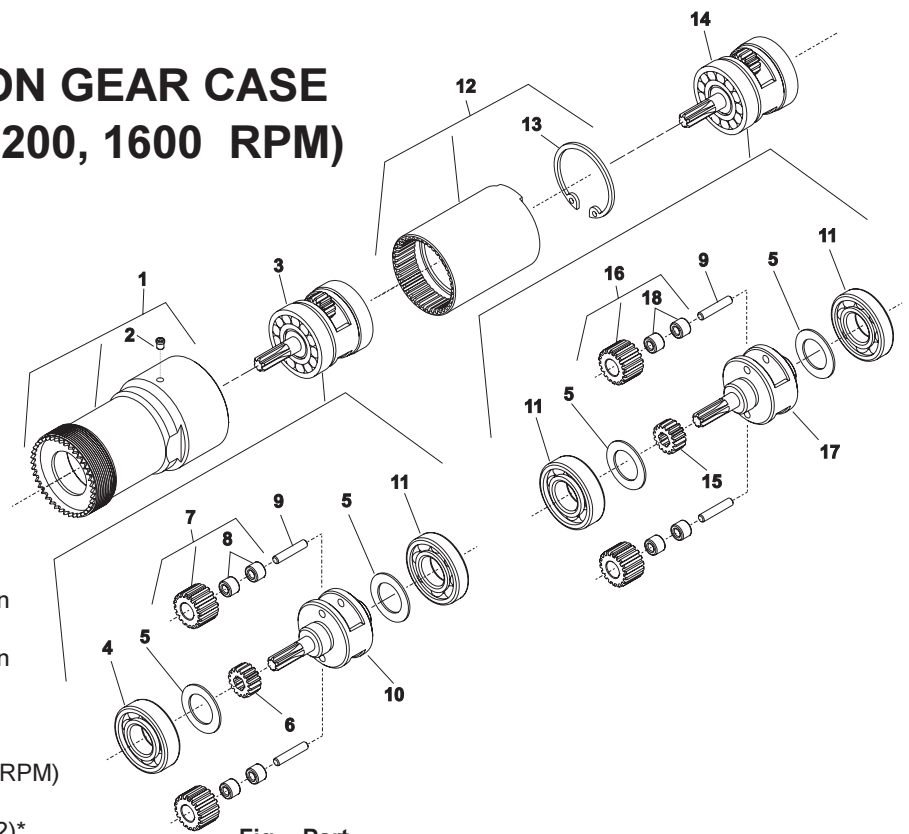


Fig. No.	Part No.	Description
		(700, 900, 1200, 1600 RPM)
16.	67868	Ass'y—Gear and Bearing (400, 540 RPM)(2)*
	67866	Ass'y—Gear and Bearing (700, 900, 1200, 1600 RPM)(2)*
17.	67891	Carrier—Gear (400, 540 RPM)
	67892	Carrier—Gear (700, 900 RPM)
	67967	Carrier—Gear (1200, 1600 RPM)
18.	67936	Bushing (1200, 1600 RPM)(2)*
	10080	Bearing—Needle (400, 540, 700, 900 RPM)(4)*

*Order Quantity As Required

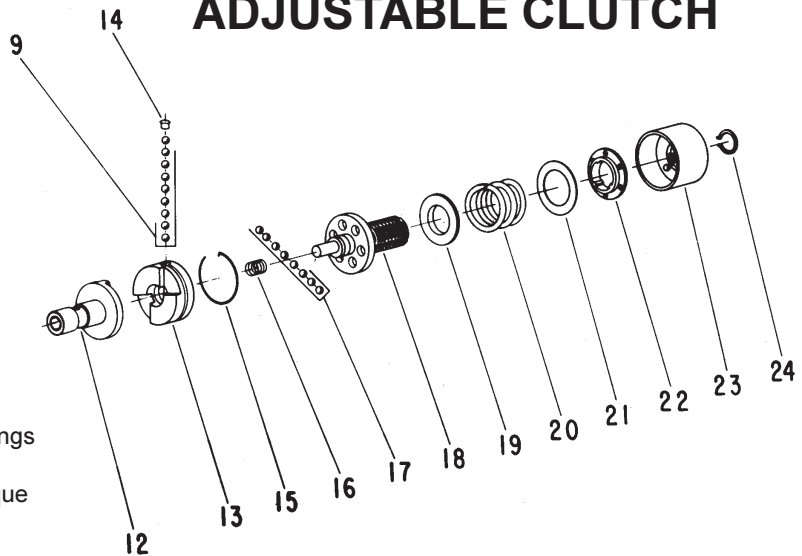


ADJUSTABLE CLUTCH

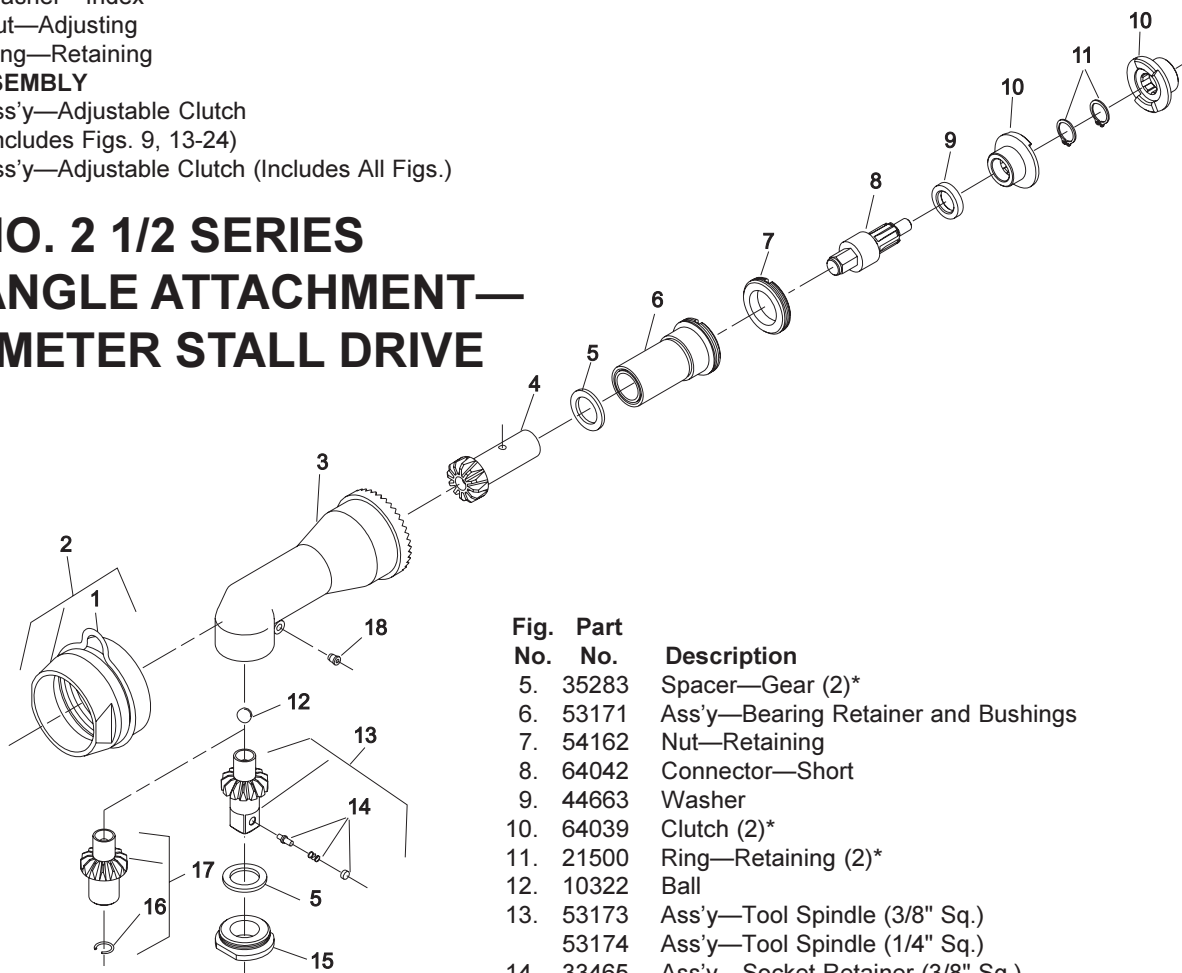
- | No. | No. | Description |
|-----|-------|---|
| 9. | 10902 | Ball—Steel (9)* |
| 12. | 54077 | Bit Holder |
| 13. | 54071 | Jaw—Clutch |
| 14. | 54074 | Retainer—Ball |
| 15. | 21827 | Ring—Retaining |
| 16. | 41250 | Spring |
| 17. | 10291 | Ball—Steel (8)* |
| 18. | 22669 | Spindle—Clutch |
| 19. | 54072 | Guide—Spring |
| 20. | 41249 | Spring—Compression (For torque settings above 25 inch pounds) |
| | 41284 | Spring—Compression (Green)(For torque setting below 25 inch pounds) |
| 21. | 35273 | Washer |
| 22. | 54073 | Washer—Index |
| 23. | 53095 | Nut—Adjusting |
| 24. | 21774 | Ring—Retaining |

COMPLETE ASSEMBLY

- | | |
|-------|--|
| 53085 | Ass'y—Adjustable Clutch
(Includes Figs. 9, 13-24) |
| 53107 | Ass'y—Adjustable Clutch (Includes All Figs.) |



NO. 2 1/2 SERIES RIGHT ANGLE ATTACHMENT— 1" DIAMETER STALL DRIVE



- | Fig. No. | Part No. | Description |
|----------|----------|-------------------------------|
| 1. | 41248 | Bail |
| 2. | 53181 | Ass'y—Lock Sleeve and Bail |
| 3. | 11578 | Angle Head (Includes Fig. 18) |
| 4. | 19470 | Pinion |

- | Fig. No. | Part No. | Description |
|----------|----------|-------------------------------------|
| 5. | 35283 | Spacer—Gear (2)* |
| 6. | 53171 | Ass'y—Bearing Retainer and Bushings |
| 7. | 54162 | Nut—Retaining |
| 8. | 64042 | Connector—Short |
| 9. | 44663 | Washer |
| 10. | 64039 | Clutch (2)* |
| 11. | 21500 | Ring—Retaining (2)* |
| 12. | 10322 | Ball |
| 13. | 53173 | Ass'y—Tool Spindle (3/8" Sq.) |
| | 53174 | Ass'y—Tool Spindle (1/4" Sq.) |
| 14. | 33465 | Ass'y—Socket Retainer (3/8" Sq.) |
| | 53347 | Ass'y—Socket Retainer (1/4" Sq.) |
| 15. | 54154 | Retainer—Bearing |
| 16. | 21764 | Ring—Wire |
| 17. | 53177 | Ass'y—Tool Spindle (1/4" Hex) |
| 18. | 30375 | Fitting—Grease |

COMPLETE ASSEMBLY

- | | |
|-------|-----------------------------|
| 63496 | Ass'y—Angle Head (3/8" Sq.) |
| 63494 | Ass'y—Angle Head (1/4" Hex) |
| 63495 | Ass'y—Angle Head (1/4" Sq.) |

*Order Quantity As Required

SIoux TOOLS INC.

250 SNAP-ON DRIVE ■ PO BOX 1596 ■ MURPHY, NC 28906 ■ USA ■

Printed In U.S.A.

This pdf incorporates the following model numbers:

2A1120, 2A1210, 2A1252B, 2A1310, 2A1630, 2A2102B, 2A2151, 2A2152B, 2A2252B, 2A2310,
2A2551, 2A2652B